



Illustrated Parts Manual

Models **800A** **800AJ**

Prior to
S/N 0300069000

P/N
3120741

April 30, 2014

ANSI



An Oshkosh Corporation Company

REVISION LOG

Note: See Note Below to Identify whether Machine is Equipped with ADE System.

ADE SYSTEM

All 800A and 800AJ machines from S/N 0300064432 to present incorporate the ADE System, but no clean S/N break exists. The following machine serial numbers prior to S/N 0300064432 also utilize ADE: 0300062045, 0300062797, 0300063013, 0300063665, 0300063975, 0300064000-0300064017, 0300064390, 0300064392 & 0300064411. A machine that incorporates ADE System can be outwardly identified by the analyzer connection at the base of the platform console box.



October 1998 - Original Issue Of Manual

December 1998 - Revised

May 31, 1999 - Revised

September 1, 1999 - Revised (Edited to B/M 0010551 Revision 5)

November 9, 1999 - Updated Page 6-12

March 24, 2000 - (Edited to B/M 0010551 Revision 7)

May 4, 2001 - Revised (Manual edited to 0010551 Revision 16)

(Manual edited to 0010580 Revision 2 With ADE System)

October 20, 2001 - Revised (Manual edited to 0010580 Revision 5 With ADE System)

January 24, 2002 - Revised

July 16, 2002 - Revised (Manual edited to B/M 0010580 Revision 21 With ADE System)

September 30, 2002 - Added "Prior to S/N 0300069000" to Front Cover. Refer to Parts Manual 3121176 for Machines Built S/N 0300069000 to Present.

February 1, 2003 - Updated Section 3

June 30, 2003 - Revised

October 8, 2004 - Revised

March 1, 2005 - Revised

June 1, 2006 - Revised

September 25, 2006 - Revised

April 18, 2007 - Revised

July 31, 2007 - Revised

December 10, 2007 - Revised

REVISION LOG

March 15, 2008 - Revised
November 28, 2008 - Revised
May 15, 2009 - Revised
October 15, 2009 - Revised
April 15, 2010 - Revised
December 30, 2010 - Revised
April 27, 2011 - Revised
July 29, 2011 - Revised
October 21, 2011 - Revised
January 10, 2012 - Revised
May 31, 2012 - Revised
July 31, 2012 - Revised
December 14, 2012 - Revised
March 26, 2013 - Revised
June 20, 2013 - Revised
September 16, 2013 - Revised
December 30, 2013 - Revised
April 30, 2014 - Revised

TABLE OF CONTENTS

FIGURE NO.	TITLE	PAGE NO.
SECTION 1 - FRAME		1-1
1-1	AXLE AND STEERING INSTALLATION	1-2
1-2	TIRE AND WHEEL DRIVE INSTALLATIONS	1-8
1-3	DRIVE BRAKE ASSEMBLY	1-12
1-4	DRIVE HUB ASSEMBLIES	1-14
1-5	DRIVE MOTOR ASSEMBLY	1-18
1-6	DRIVE VALVES INSTALLATIONS	1-20
 SECTION 2 - TURNTABLE		 2-1
2-1	CONTROL VALVES INSTALLATIONS	2-2
2-2	MAIN CONTROL VALVE ASSEMBLY	2-6
2-3	ACCESSORY VALVE ASSEMBLY	2-10
2-4	TURNTABLE AND SWING DRIVE INSTALLATIONS (PRIOR TO SN 0300068040) . . .	2-12
2-5	TURNTABLE AND SWING DRIVE INSTALLATIONS (SN 0300068040 TO SN 0300069000)	2-16
2-6	SWING HUB ASSEMBLY (PRIOR TO SN 0300068040)	2-18
2-7	SWING BRAKE ASSEMBLY (PRIOR TO SN 0300068040)	2-20
2-8	SWING MOTOR ASSEMBLY (PRIOR TO SN 0300068040)	2-22
2-9	SWING MOTOR/HUB ASSEMBLY (SN 0300068040 TO SN 0300069000)	2-24
2-10	DEUTZ ENGINE INSTALLATION	2-30
2-11	GENERATOR INSTALLATION - DEUTZ MACHINES (OPTIONAL)	2-38
2-12	FORD ENGINE WITH CARBURETOR INSTALLATIONS (PRIOR TO SN 0300048538)	2-42
2-13	FORD ENGINE WITH EFI INSTALLATIONS (SN 0300048538 TO SN 0300069000) . . .	2-48
2-14	DUAL FUEL INSTALLATIONS (FORD MACHINE OPTION) (PRIOR TO SN 0300048538)	2-56
2-15	DUAL FUEL INSTALLATIONS (FORD MACHINE OPTION) (SN 0300048538 TO SN 0300069000)	2-60
2-16	GENERATOR INSTALLATION - FORD MACHINES (OPTIONAL)	2-64
2-17	ISUZU ENGINE INSTALLATIONS - 4JB1 (SN 0300060285 TO SN 0300069000) . . .	2-68
2-18	PISTON PUMP ASSEMBLY	2-74
2-19	TANK INSTALLATIONS	2-78
2-20	ROTARY COUPLING INSTALLATION	2-82
2-21	GROUND CONTROL BOX ASSEMBLY (PRIOR TO SN 0300064432)	2-84
2-22	GROUND CONTROL BOX ASSEMBLY (ADE SYSTEM) (SN 0300064432 TO SN 0300069000)	2-90
2-23	ELECTRICAL OPTIONS INSTALLATION (TURNTABLE MOUNTED)	2-94
2-24	HOODS INSTALLATION	2-98
2-25	ENGINE TRAY JACK INSTALLATION (OPTIONAL)	2-102
 SECTION 3 - BOOM		 3-1
3-1	BOOM AND CYLINDER INSTALLATION - 800A	3-2
3-2	BOOM AND CYLINDER INSTALLATION - 800AJ	3-6
3-3	TOWER BOOM ASSEMBLY	3-10
3-4	MAIN BOOM ASSEMBLIES	3-14
3-5	ROTATOR ASSEMBLIES (FRONT ENTRY PLATFORM)	3-18
3-6	ROTATOR ASSEMBLIES (SIDE ENTRY PLATFORM)	3-22
3-7	VALVE AND LIMIT SWITCH INSTALLATIONS (BOOM MOUNTED)	3-24

TABLE OF CONTENTS

FIGURE NO.	TITLE	PAGE NO.
SECTION 4 - PLATFORM		4-1
4-1	PLATFORM COMPONENTS INSTALLATION (FRONT ENTRY)	4-2
4-2	PLATFORM COMPONENTS INSTALLATION (SIDE ENTRY)	4-6
4-3	PLATFORM CONSOLE ASSEMBLY (PRIOR TO SN 0300064432)	4-10
4-4	PLATFORM CONSOLE ASSEMBLY (WITH ADE SYSTEM) (SN 0300064009 ONLY)	4-16
4-5	PLATFORM CONSOLE ASSEMBLY (WITH ADE SYSTEM) (SN 0300064432 TO SN 0300069000)	4-20
4-6	CONTROLLER ASSEMBLY (SWING AND LIFT) (PRIOR TO SN 0300064432)	4-26
4-7	CONTROLLER ASSEMBLY (SWING & LIFT) (WITH ADE SYSTEM) (SN 0300064432 TO SN 0300069000)	4-28
4-8	CONTROLLER ASSEMBLY (DRIVE AND STEER) (PRIOR TO SN 0300064432)	4-32
4-9	CONTROLLER ASSEMBLY (DRIVE AND STEER) (WITH ADE SYSTEM) (SN 0300064432 TO SN 0300069000)	4-34
4-10	SOFT TOUCH SYSTEM INSTALLATION (OPTIONAL)	4-38
SECTION 5 - CYLINDER		5-1
5-1	AXLE LOCKOUT CYLINDER ASSEMBLY	5-2
5-2	UPRIGHT LEVEL CYLINDER ASSEMBLY	5-4
5-3	LIFT CYLINDER ASSEMBLY - JIB (800AJ ONLY)	5-6
5-4	LIFT CYLINDER ASSEMBLY - MAIN BOOM	5-8
5-5	LIFT CYLINDER ASSEMBLY - TOWER BOOM	5-10
5-6	MASTER CYLINDER ASSEMBLY - 800A	5-12
5-7	MASTER CYLINDER ASSEMBLY- 800AJ	5-14
5-8	SLAVE CYLINDER ASSEMBLIES	5-16
5-9	STEER CYLINDER ASSEMBLY	5-20
5-10	TELESCOPE CYLINDER ASSEMBLY - MAIN	5-22
5-11	TELESCOPE CYLINDER ASSEMBLY - TOWER	5-24
SECTION 6 - HYDRAULIC		6-1
6-1	AXLE LOCKOUT HYDRAULIC DIAGRAM	6-2
6-2	DRIVE HYDRAULIC DIAGRAM - 2WD	6-4
6-3	DRIVE HYDRAULIC DIAGRAM - 4WD	6-8
6-4	STANDARD HYDRAULIC DIAGRAM (WITH FENNER & HALDEX BRAND AUXILIARY PUMP)	6-12
6-5	STANDARD HYDRAULIC DIAGRAM (WITH BUCHER BRAND AUXILIARY PUMP)	6-16
6-6	HYDRAULIC DIAGRAM LIST	6-20
SECTION 7 - ELECTRICAL		7-1
7-1	ELECTRICAL DIAGRAM LIST	7-2
7-2	HARNES COMPONENTS INSTALLATION (PRIOR TO SN 0300064432)	7-6
7-3	HARNES COMPONENTS INSTALLATION (WITH ADE SYSTEM) (SN 0300064009 ONLY)	7-18
7-4	HARNES COMPONENTS INSTALLATION (WITH ADE SYSTEM) (SN 0300064432 TO SN 0300069000)	7-26
SECTION 8 - DECALS		8-1
8-1	DECALS INSTALLATION - STANDARD	8-2
8-2	DECALS INSTALLATION - COUNTRY SPEC	8-6
SECTION 9 - RECOMMENDED SERVICE PARTS STOCK		9-1

TABLE OF CONTENTS

FIGURE NO.	TITLE	PAGE NO.
SECTION 10	SPECIAL OPTIONS	10-1
SECTION 11	PART NUMBER INDEX.....	11-1

TABLE OF CONTENTS

FIGURE NO.

TITLE

PAGE NO.

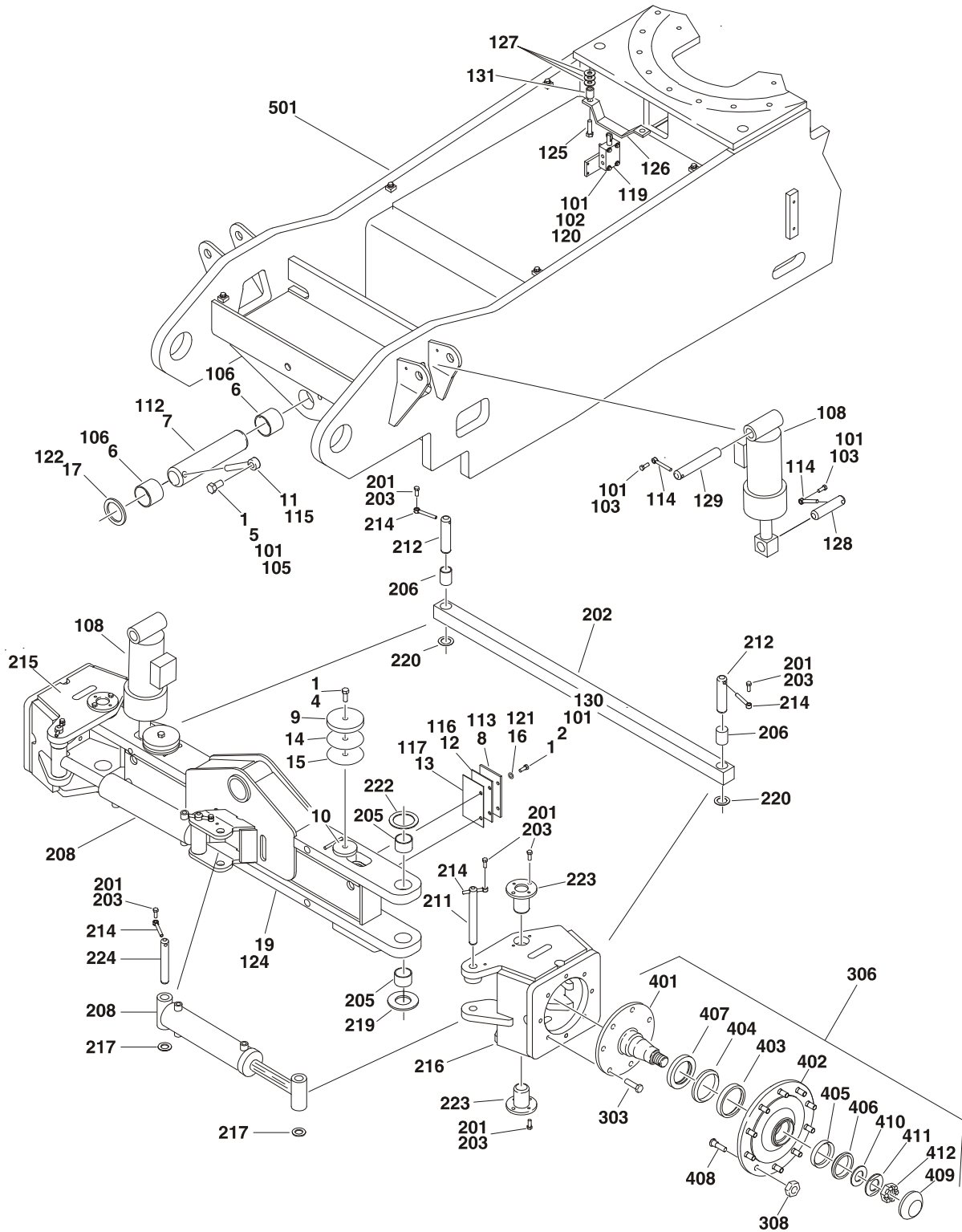
SECTION 1 FRAME

TABLE OF CONTENTS		
FIGURE	DESCRIPTION	PAGE
1-1	AXLE AND STEERING INSTALLATION	1-2
1-2	TIRE AND WHEEL DRIVE INSTALLATIONS	1-6
1-3	DRIVE BRAKE ASSEMBLY	1-10
1-4	DRIVE HUB ASSEMBLIES	1-12
1-5	DRIVE MOTOR ASSEMBLY	1-16
1-6	DRIVE VALVES INSTALLATIONS	1-18

SECTION 1 FRAME

SECTION 1
FRAME

FIGURE 1-1. AXLE AND STEERING INSTALLATION



SECTION 1 FRAME

FIGURE 1-1. AXLE AND STEERING INSTALLATION

FIG & ITEM #	PART NUMBER	DESCRIPTION	QTY.	REV.
	0258286	FIXED AXLE INSTALLATION	Ref	C
1	0100011	Compound, Locking	AR	
2	0681608	Bolt 3/8in-16NC x 1in (Grade 8)	4	
3	Not Used			
4	0641820	Bolt 1/2in-13NC x 2-1/2in	2	
5	0642212	Bolt 3/4in-10NC x 1-1/2in	1	
6	0962102	Bushing, Garmax	2	
7	3422703	Pin, Axle Pivot	1	
8	3538047	Shim, Wear	2	
9	3539877	Plate, Stop	2	
10	3539878	Plate, Stop	2	
11	3841287	Keeper, Pin	1	
12	4070878	Shim 1/16in	AR	
13	4070879	Shim 1/8in	AR	
14	4070944	Shim 1/16in	AR	
15	4070945	Shim 1/4in	AR	
16	4711600	Flatwasher 3/8in Narrow	4	
17	4740472	Washer, Special	1	
18	Not Used			
19	4845658	Axle Weldment	1	
		OSCILLATING AXLE INSTALLATIONS	Ref	
	0258285	PRIOR TO SN 0300068040	Ref	E
	0272269	SN 0300068040 TO SN 0300069000	Ref	A
101	0100011	Compound, Locking	AR	
102	0641414	Bolt 1/4in-20NC x 1-3/4in	4	
103	0641608	Bolt 3/8in-16NC x1in	4	
104	Not Used			
105	0642212	Bolt 3/4in-10NC x 1-1/2in	1	
106	0962102	Bushing, Composite	2	
107	Not Used			
108	1683078	Lockout Cylinder Assembly (See CYLINDER SECTION for Breakdown)	2	
109 to 111	Not Used			
112	3422703	Pin, Main Pivot	1	
113	3538047	Shim, Axle Wear	2	
114	3841143	Shaft, Keeper 3/8in Dia x 3in	4	
115	3841287	Shaft, Keeper 3/8in Dia x 6in	1	
116	4070878	Shim, Axle Wear	2	
117	4070879	Shim, Axle Wear	2	
118	Not Used			
119	4640871	Valve, Lockout	1	
	7012693	Seal Kit - 4640871 Valve	1	
	7002840	Pin Removal Tool	1	
120	4711400	Flatwasher 1/4in Narrow	4	
121	4711600	Flatwasher 3/8in Narrow	4	
122	4740472	Washer, Special	1	

SECTION 1 FRAME

FIGURE 1-1. AXLE AND STEERING INSTALLATION (CONTINUED)

FIG & ITEM #	PART NUMBER	DESCRIPTION	QTY.	REV.
123	Not Used			
124	4845658	Axle Weldment	1	
125		Bolt Options:	2	
	0641814	Bolt 1/2in-13NC x 1-3/4in (Prior to SN 0300068040)		
	0641816	Bolt 1/2in-13NC x 2in (SN 0300068040 to SN 0300069000)		
126	1100086	Plate, Cam Lockout	1	
127	4751800	Flatwasher 1/2in	4	
128	3422702	Pin	2	
129	3422755	Pin	2	
130	0681608	Bolt 3/8in-16NC x1in (Grade 8)	4	
131	4568514	Spacer, Tube (SN 0300068040 to SN 0300069000)	2	
		STEERING INSTALLATIONS	Ref	
	0258287	2WS	Ref	F
	0258909	4WS (Rear Steering Typical / Double Qty Listed for 4WS)	Ref	A
	1001137261	King Pin Kit	Ref	A
		Note: Before ordering king pin kit, verify that machines is equipped with the original components (king pin with 4 bolt holes) or service kit components (king pin with 8 bolt holes).	Ref	
		- If the king pin hole in the axle measurement exceeds 2.252in OD or is elongated, use King Pin Kit p/n 1001137261.		
201	0100011	Compound, Locking	AR	
202	0362726	Tie-Rod	1	
203	0641608	Bolt 3/8in-16NC x 1in	14	
204	Not Used			
205	0962224	Bearing, Garmax	4	
206	0962152	Bearing, Garmax	2	
207	Not Used			
208		Steer Cylinder Assembly (See CYLINDER SECTION for Breakdown)	2	
	Use 1683740	2WS - Original Equipment (was p/n 1683605)		
	1683740	2WS - Service Replacement		
	1683740	4WS		
209 to 210	Not Used			
211	3422701	Pin, Steer, Spindle Attach	2	
212	3422702	Pin, Tie-Rod	2	
213	Not Used			
214	3841143	Shaft, Keeper 3/8in x 3in	6	
215	4130357	Spindle Weldment (Right Side)	1	
216	4130358	Spindle Weldment (Left Side)	1	
217	4740111	Washer, Special	4	
218	Not Used			
219	4740463	Washer, Thrust	2	
220	4740473	Washer, Special	2	
221	Not Used			
222	4740256	Washer, Thrust	2	

SECTION 1 FRAME

FIGURE 1-1. AXLE AND STEERING INSTALLATION (CONTINUED)

FIG & ITEM #	PART NUMBER	DESCRIPTION	QTY.	REV.
223	3422753	Kingpin	4	
224	3422754	Pin, Attach	2	
		HUB INSTALLATION (2WD ONLY) OPTIONS:	Ref	
	0258288	Prior to SN 0300056875	Ref	C
	0270209	SN 0300056875 to SN 0300069000	Ref	B
301 to 302	Not Used			
303	0682016	Bolt 5/8in-16NC x 2in (Grade 8)	16	
304 to 305	Not Used			
306	2780229	Hub Assembly (See Items 401-412 for Breakdown)	2	
307	Not Used			
308	3300007	Lugnut	20	
	2780229	HUB ASSEMBLY (2WD ONLY)	Ref	A
401	7017052	Spindle (1 per Assembly)	2	
402	7017053	Housing (1 per Assembly)	2	
403	7010404	Cup, Bearing - Inner (1 per Assembly)	2	
404	7010405	Cone, Bearing - Inner (1 per Assembly)	2	
405	7017056	Cup, Bearing - Outer (1 per Assembly)	2	
406	7017055	Cone, Bearing - Outer (1 per Assembly)	2	
407	7010406	Seal, Lip (1 per Assembly)	2	
408	7000265	Stud (10 per Assembly)	20	
409	7017054	Dust Cap (1 per Assembly)	2	
410	7017051	Washer, Special (1 per Assembly)	2	
411	7017057	Washer, Tanged (1 per Assembly)	2	
412	7017058	Nut, Bearing (1 per Assembly)	2	
501		FRAME WELDMENT OPTIONS:	Ref	
		Frame Weldment - 2WD/2WS with Pneumatic Tires Options:	1	
	2360461	Prior to SN 0300068040		
	2360587	SN 0300068040 to SN 0300068374		
	2360600	SN 0300068374 to SN 0300069000		
		Frame Weldment - 2WD/2WS with Foam-Filled Tires Options:	1	
	2360488	Prior to SN 0300068040		
	2360588	SN 0300068040 to SN 0300068374		
	2360601	SN 0300068374 to SN 0300069000		
		Frame Weldment - 4WD/2WS with Pneumatic Tires Options:	1	
	2360489	Prior to SN 0300068040		
	2360589	SN 0300068040 to SN 0300068374		
	2360602	SN 0300068374 to SN 0300069000		
		Frame Weldment - 4WD/2WS with Foam-Filled Tires Options:	1	
	2360490	Prior to SN 0300068040		
	2360590	SN 0300068040 to SN 0300068374		
	2360603	SN 0300068374 to SN 0300069000		
		Frame Weldment - 4WD/4WS with Pneumatic Tires Options:	1	
	2360502	Prior to SN 0300068040		
	2360592	SN 0300068040 to SN 0300069000		

SECTION 1 FRAME

SECTION
1
FRAME

FIGURE 1-1. AXLE AND STEERING INSTALLATION (CONTINUED)

FIG & ITEM #	PART NUMBER	DESCRIPTION	QTY.	REV.
	2360494 2360591	Frame Weldment - 4WD/4WS with Foam-Filled Tires Options: Prior to SN 0300068040 SN 0300068040 to SN 0300069000	1	

SECTION 1 FRAME

FIGURE 1-1. AXLE AND STEERING INSTALLATION (CONTINUED)

FIG & ITEM #	PART NUMBER	DESCRIPTION	QTY.	REV.

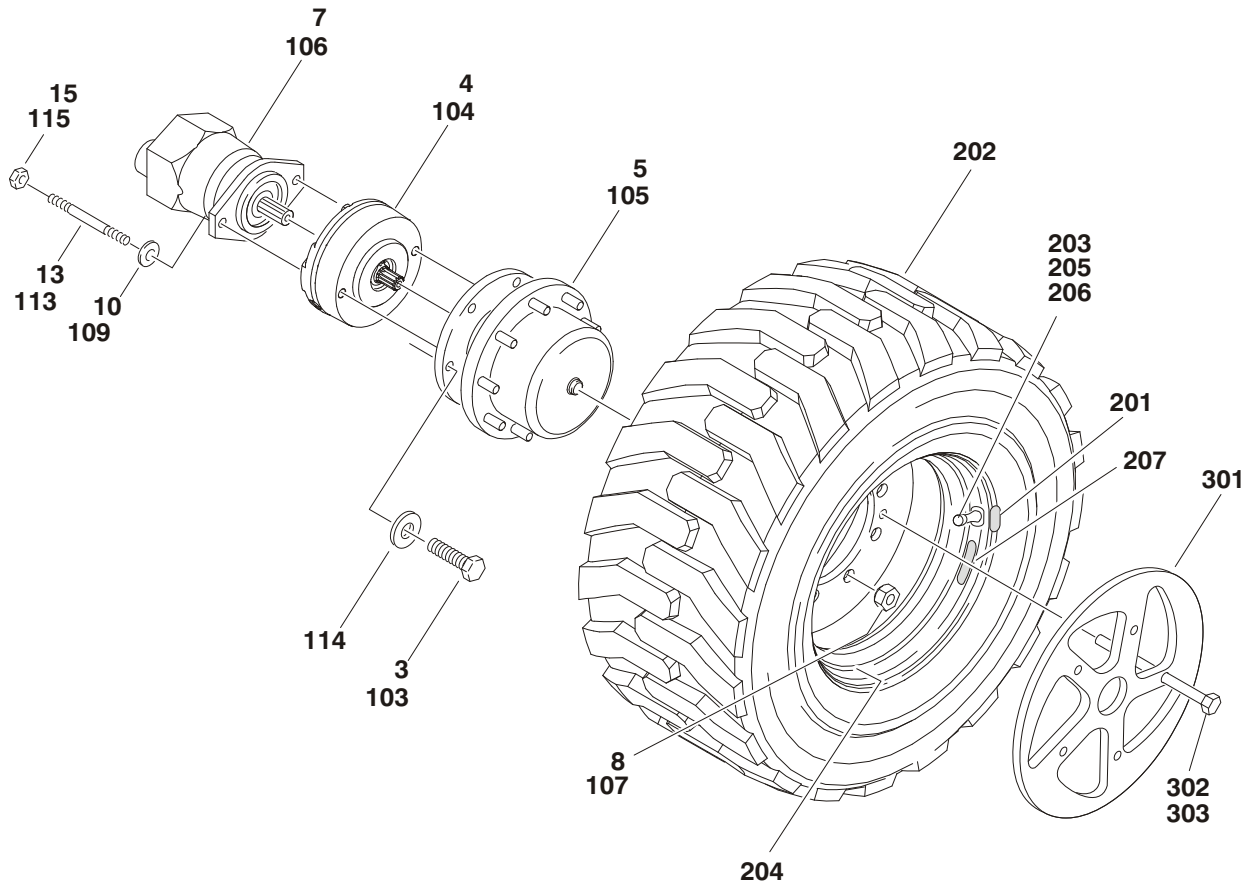
**S
E
C
T
I
O
N

1

F
R
A
M
E**

SECTION 1 FRAME

FIGURE 1-2. TIRE AND WHEEL DRIVE INSTALLATIONS



SECTION 1 FRAME

SECTION 1 FRAME

FIGURE 1-2. TIRE AND WHEEL DRIVE INSTALLATIONS

FIG & ITEM #	PART NUMBER	DESCRIPTION	QTY.	REV.
		WHEEL DRIVE INSTALLATION OPTIONS: (2WD/2WS)	Ref	
	0258288	Prior to SN 0300056875	Ref	C
	0270209	SN 0300056875 to SN 0300069000	Ref	B
1 to 2	Not Used			
3	0682016	Bolt 5/8in-11NC x 2in (Grade 8)	16	
4		Drive Brake Assembly Options: (See DRIVE BRAKE ASSEMBLY for Breakdown)	2	
	0920112	Prior to SN 0300056875		
	Use 0920119	SN 0300056875 to SN 0300069000 (was p/n 0920117)		
5	2780227	Drive Hub Assembly (See DRIVE HUB ASSEMBLIES for Breakdown)	2	
6	Not Used			
7	3160204	Drive Motor Assembly (See DRIVE MOTOR ASSEMBLY for Breakdown)	2	
8	3300007	Nut, Wheel	20	
9	Not Used			
10		Stud Options:	4	
	4300130	Prior to SN 0300056875		
	4300097	SN 0300056875 to SN 0300069000		
11 to 12	Not Used			
13	4891800	Flatwasher 1/2in	4	
14	Not Used			
15		Nut Options:	4	
	3311805	Locknut 1/2in-13 NC (Prior to SN 0300056875)		
	3311801	Nut 1/2in-13 NC (SN 0300056875 to SN 0300069000)		
		WHEEL DRIVE INSTALLATION OPTIONS:	Ref	
	0258289	Prior to SN 0300056875 (4WD/2WS)	Ref	D
	0270210	SN 0300056875 to SN 0300069000 (4WD/2WS)	Ref	B
	0258910	Prior to SN 0300056875 (4WD/4WS)	Ref	A
	0270211	SN 0300056875 to SN 0300069000 (4WD/4WS)	Ref	B
101 to 102	Not Used			
103	0682016	Bolt 5/8in-11NC x 2in (Grade 8)	32	
104		Drive Brake Assembly Options: (See DRIVE BRAKE ASSEMBLY for Breakdown)	4	
	0920112	Prior to SN 0300056875		
	Use 0920119	SN 0300056875 to SN 0300069000 (was p/n 0920117)		
105	2780228	Drive Hub Assembly (See DRIVE HUB ASSEMBLIES for Breakdown)	4	
106	3160204	Drive Motor Assembly (See DRIVE MOTOR ASSEMBLY for Breakdown)	4	
107	3300007	Nut, Wheel	40	
108	Not Used			
109		Stud Options:	8	
	4300130	Prior to SN 0300056875		
	4300097	SN 0300056875 to SN 0300069000		
110 to 112	Not Used			

SECTION 1 FRAME

FIGURE 1-2. TIRE AND WHEEL DRIVE INSTALLATIONS

FIG & ITEM #	PART NUMBER	DESCRIPTION	QTY.	REV.
113	4891800	Flatwasher, 1/2in	8	
114	4892000	Flatwasher, 5/8in	32	
115		Nut Options:	8	
	3311805	Locknut 1/2in - 13NC (Prior to SN 0300056875)		
	3311801	Nut 1/2in - 13NC (SN 0300056875 to SN 0300069000)		
		TIRE AND WHEEL INSTALLATIONS	Ref	
	0258396	IN385/65D19.5 (15 x 19.5) Pneumatic (Prior to SN 0300068040)	Ref	B
	0270885	15-625 Pneumatic (SN 0300068040 to SN 0300069000)	Ref	A
	0272322	15-625 Pneumatic W/Sealant (SN 0300066290 to SN 0300069000)	Ref	1
	0258397	IN385/65D19.5 (15 x 19.5) Foam-Filled (Prior to SN 0300068040)	Ref	B
	0270886	15-625 Foam-Filled (SN 0300068040 to SN 0300069000)	Ref	A
	0258398	IN445/55D19.5 (18 x 19.5) Pneumatic	Ref	A
	0258399	IN445/55D19.5 (18 x 19.5) Foam-Filled (Prior to SN 0300068040)	Ref	B
	0270888	18-625 Foam-Filled (SN 0300068040 to SN 0300069000)	Ref	A
	0258323	IN385/65D19.5 (15 x 19.5) Pneumatic Left Side (Prior to SN 0300068040)	2	
	0271083	15-625 Pneumatic Left Side (SN 0300068040 to SN 0300069000)	2	
	0272334	15-625 Pneumatic/TS Left Side (SN 0300066290 to SN 0300069000)	2	
	0258324	IN385/65D19.5 (15 x 19.5) Pneumatic Right Side (Prior to SN 0300068040)	2	
	0271084	15-625 Pneumatic Right Side (SN 0300068040 to SN 0300069000)	2	
	0272333	15-625 Pneumatic/TS Right Side (SN 0300066290 to SN 0300069000)	2	
	0258327	IN385/65D19.5 (15 x 19.5) Foam-Filled Left Side (Prior to SN 0300068040)	2	
	0271085	15-625 Foam-Filled Left Side (SN 0300068040 to SN 0300069000)	2	
	0258328	IN385/65D19.5 (15 x 19.5) Foam-Filled Right Side (Prior to SN 0300068040)	2	
	0271086	15-625 Foam-Filled Right Side (SN 0300068040 to SN 0300069000)	2	
	0258330	IN445/55D19.5 (18 x 19.5) Pneumatic Left Side	2	
	0258331	IN445/55D19.5 (18 x 19.5) Pneumatic Right Side	2	
	0258333	IN445/55D19.5 (18 x 19.5) Foam-Filled Left Side (Prior to SN 0300068040)	2	
	0271090	18-625 Foam-Filled Left Side (SN 0300068040 to SN 0300069000)	2	
	0258334	IN445/55D19.5 (18 x 19.5) Foam-Filled Right Side (Prior to SN 0300068040)	2	
	0271091	18-625 Foam-Filled Right Side (SN 0300068040 to SN 0300069000)	2	

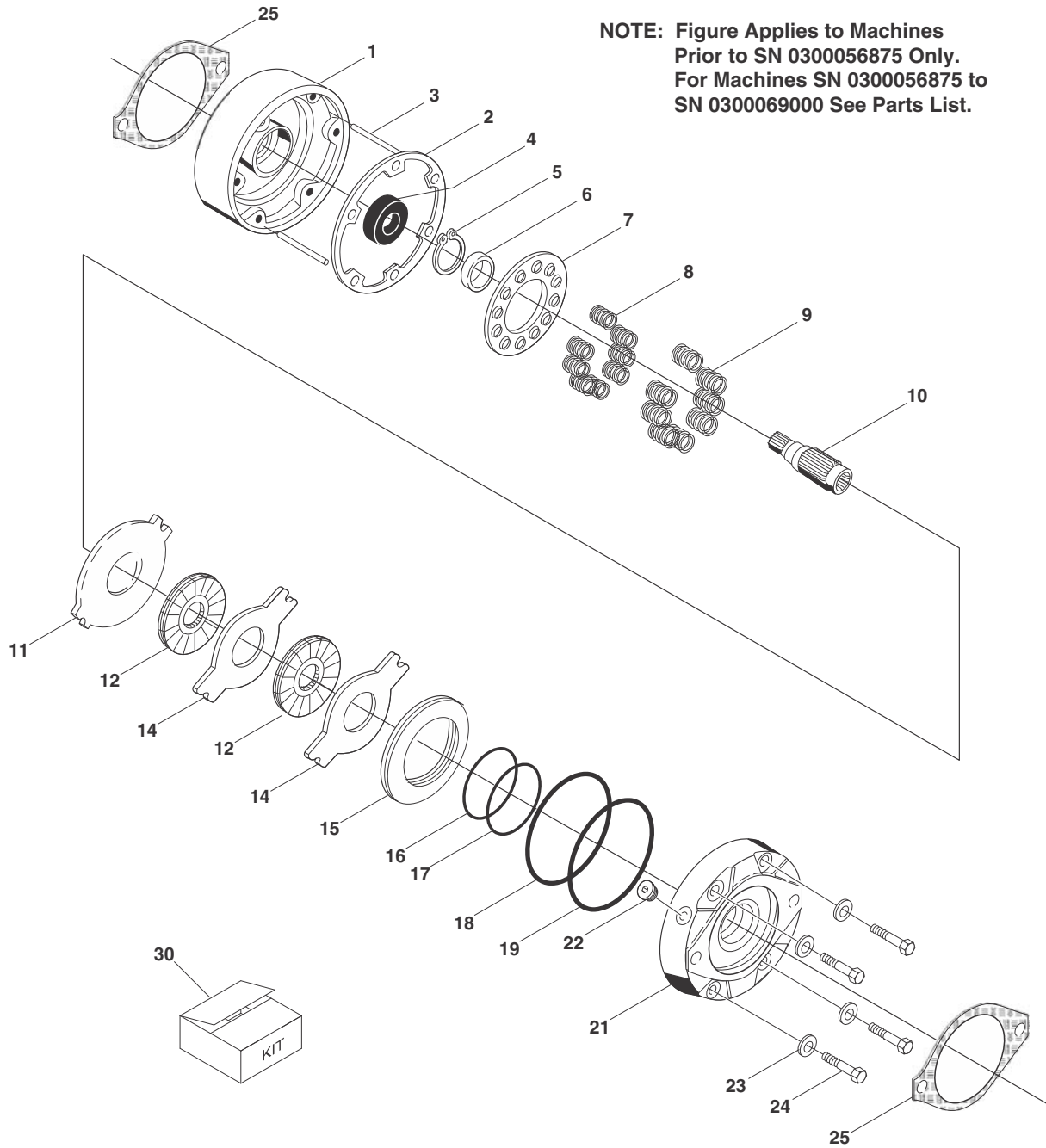
SECTION 1 FRAME

FIGURE 1-2. TIRE AND WHEEL DRIVE INSTALLATIONS

FIG & ITEM #	PART NUMBER	DESCRIPTION	QTY.	REV.
		Note: Assemblies may require ballast/foam filling to manufacturer's specifications prior to installing on a machine. Refer to Operation & Safety or Service & Maintenance Manuals. Purchase individual tire and/or rim only if able to foam fill tire & wheel assembly, otherwise, purchase complete assembly,	Ref	
201	1702701	Decal Options: 95 PSI IN385/65D19.5 (15 x 19.5 Tires)	1	
	1702739	85 PSI IN445/55D19.5 (18 x 19.5 Tires)		
202		Tire Options:	1	
	4520204	IN385/65D19.5 (15 x 19.5)		
	4520252	15-625		
	4520205	IN445/55D19.5 (18 x 19.5)		
	4520253	18.625		
203	4640113	Valve, Air	1	
204		Rim, Wheel Options:	1	
	4860148	11.75 x 19.5		
	4860224	13 x 24.5		
	4860188	14 x 19.5		
	4860225	15 x 24.5		
205	1120552	Cap Valve Stem (Green) (W/Sealant Only)	1	
206	1300019	Chemical, Tire Sealant (Green) (W/Sealant Only)	AR	
207	1705364	Decal - Tire Sealant (W/Sealant Only)	1	
	0256196	WHEEL COVER INSTALLATION (OPTIONAL)	Ref	2/A
301	1670776	Cover, Wheel	4	
302	0641550	Bolt 5/16in - 18NC x 6-1/4in	20	
303	0100011	Compound, Locking	AR	

SECTION 1 FRAME

FIGURE 1-3. DRIVE BRAKE ASSEMBLY



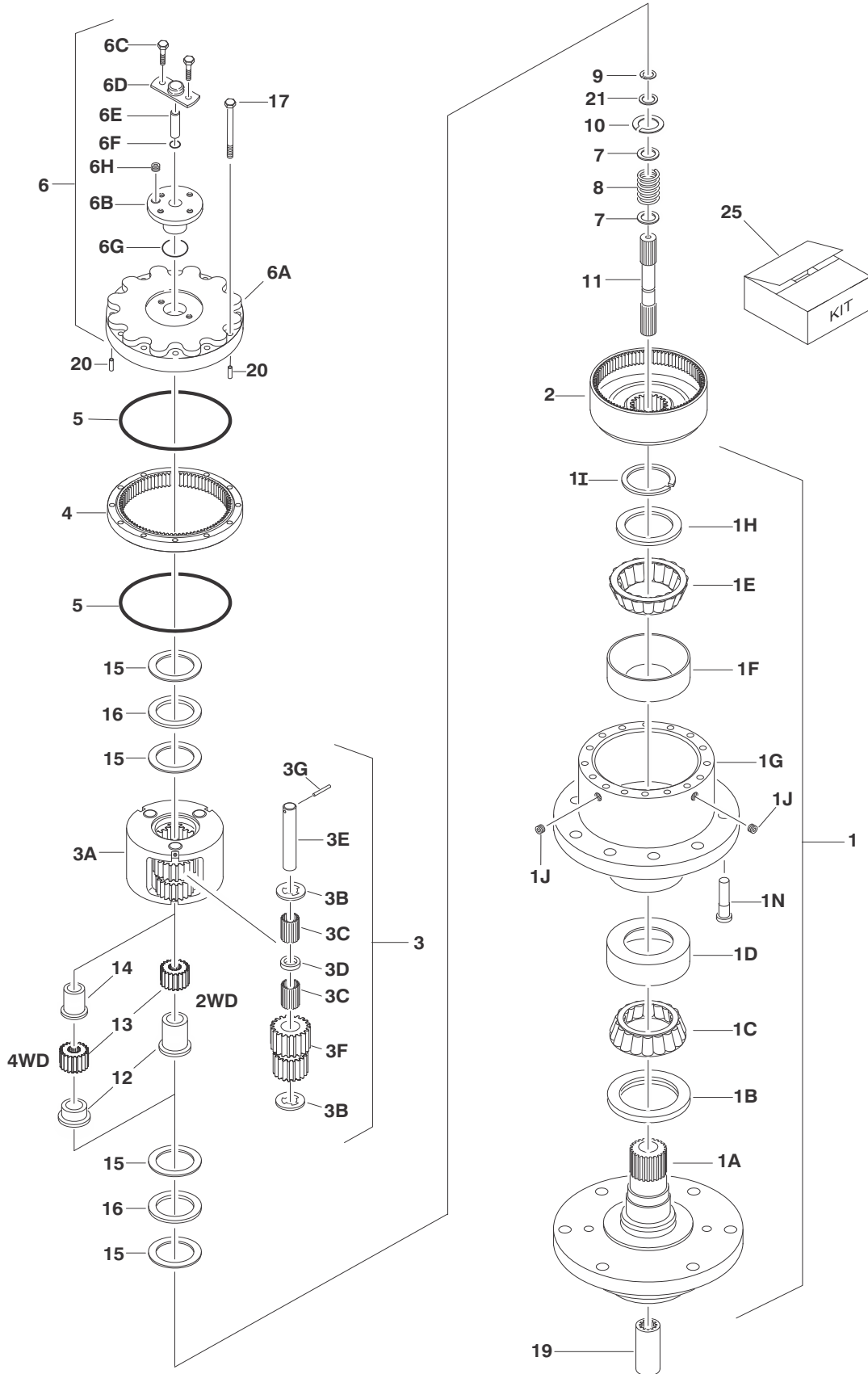
SECTION 1 FRAME

FIGURE 1-3. DRIVE BRAKE ASSEMBLY

FIG & ITEM #	PART NUMBER	DESCRIPTION	QTY.	REV.
	0920112	DRIVE BRAKE ASSEMBLY (PRIOR TO SN 0300056875)	Ref	B
1	7003451	Housing	1	
2	7003452	Gasket	1	
3	7003094	Pin, Torque	2	
4	7003049	Bearing, Ball	1	
5	7003453	Ring, Retaining	1	
6	7003050	Seal	1	
7	7003454	Retainer, Spring	1	
8	7000798	Spring, Compression (Small)	10	
9	7000782	Spring, Compression (Large)	10	
10	7003455	Shaft	1	
11	7003456	Disc, Primary	1	
12	7003457	Disc, Rotating	2	
13	Not Used			
14	7003459	Disc, Stationary	2	
15	7003460	Piston	1	
16	7000722	Ring, Back-Up	1	
17	7000723	O-Ring	1	
18	7000724	Ring, Back-Up	1	
19	7000725	O-Ring	1	
20	7000796	Screw, Bleeder	1	
21	7003461	Plate, Power	1	
22	7000728	Plug, Protective	1	
23	7003462	Flatwasher 1/2in	4	
24	7003463	Bolt 1/2in-13NC	4	
25	7000731	Gasket	2	
26 to 29	Not Used			
30	See Note	Seal Kit - 0920112 Brake (Note: Not Available for Purchase.)	1	
	Use 0920119	DRIVE BRAKE ASSEMBLY (SN 0300056875 TO SN 0300069000) (WAS P/N 0920117 - NOT SHOWN)	Ref	B
	7018612	Repair Kit (Includes Case Seal, Piston Inner & Outer O-Rings & Back-up Rings, Stator Disc, Rotor Disc, Return Plate, Springs, Oil Seal, Bearing, 2 Retaining Rings & 2 Mounting Face Gaskets)	1	
	7000731	Gasket, Mounting Face	2	
	7007990	O-Ring, Mounting (1 Per Assembly) (0920119 Brake)		
		Note: No Other Parts Available.	Ref	

SECTION 1 FRAME

FIGURE 1-4. DRIVE HUB ASSEMBLIES



SECTION 1 FRAME

FIGURE 1-4. DRIVE HUB ASSEMBLIES

FIG & ITEM #	PART NUMBER	DESCRIPTION	QTY.	REV.
	2780227	DRIVE HUB ASSEMBLY (2WD)	Ref	A
	2780228	DRIVE HUB ASSEMBLY (4WD)	Ref	A
1	See Note	Spindle/Housing Assembly (Note: Not Available - Purchase Individual Components.)	1	
1A	7017031	Spindle	1	
1B	7000236	Seal	1	
1C	7000273	Cone, Bearing	1	
1D	7000272	Cup, Bearing	1	
1E	7000275	Cone, Bearing	1	
1F	7000274	Cup, Bearing	1	
1G	7017033	Housing	1	
1H	7000239	Washer, Thrust	1	
1I	7000240	Ring, Retaining	1	
1J	7001928	Plug, Pipe	1	
1K	Not Used			
1L	Not Used			
1M	Not Used			
1N	7000265	Stud, Wheel	10	
2	7017034	Gear, Ring	1	
3	See Note	Carrier Assembly (Note: Not Available - Purchase Individual Components.)	1	
3A	7017036	Carrier	1	
3B	7001901	Thrustwasher, Tanged	6	
3C	7001902	Bearing, Needle	96	
3D	7001903	Spacer, Thrust	3	
3E	7017040	Shaft, Planet	3	
3F	7017037	Gear, Cluster	3	
3G	7001906	Rollpin	3	
4	7017035	Gear, Internal	1	
5	7000224	O-Ring	1	
6	See Note	Cover Assembly (Note: Not Available - Purchase Individual Components.)	1	
6A	7024155	Cover	1	
6B	7017042	Cap	1	
6C	7000220	Bolt 1/4in-20NC x 3/4in	4	
6D	7000231	Cap, Disengage	1	
6E	7000235	Rod, Disengage	1	
6F	7000213	O-Ring	1	
6G	7000238	O-Ring	1	
6H	7017048	Plug, Pipe	1	
7	7000282	Thrustwasher	2	
8	7000283	O-Ring	1	
9	7000284	Ring, Retaining	1	
10	7017027	Ring, Retaining	1	
11		Shaft, Input Options:	1	
	7017039	2WD		
	7017044	4WD		

SECTION 1 FRAME

SECTION 1 FRAME

FIGURE 1-4. DRIVE HUB ASSEMBLIES

FIG & ITEM #	PART NUMBER	DESCRIPTION	QTY.	REV.
12		Spacer, Input Options:	1	
	7017041	2WD		
	7017045	4WD		
13		Gear, Sun Options:	1	
	7017038	2WD		
	7017043	4WD		
14		Spacer, Input Options:	AR	
	Not Required	2WD	0	
	7017046	4WD	1	
15	7000287	Thrustwasher	4	
16	7000288	Thrustwasher	2	
17	7000289	Bolt 3/8in-16NC x 2-1/2in (Grade 8)	12	
18	Not Used			
19	7000290	Coupling	1	
20	7017047	Pin, Dowel	2	
21		Thrustwasher Options:	AR	
	7017050	2WD	1	
	Not Required	4WD	0	
22 to 24	Not Used			
25	7017068	Seal Kit (Includes Items 1B, 1I, 5, 6F, 6G, 15 &16)	1	

SECTION 1 FRAME

FIGURE 1-4. DRIVE HUB ASSEMBLIES

FIG & ITEM #	PART NUMBER	DESCRIPTION	QTY.	REV.

**S
E
C
T
I
O
N

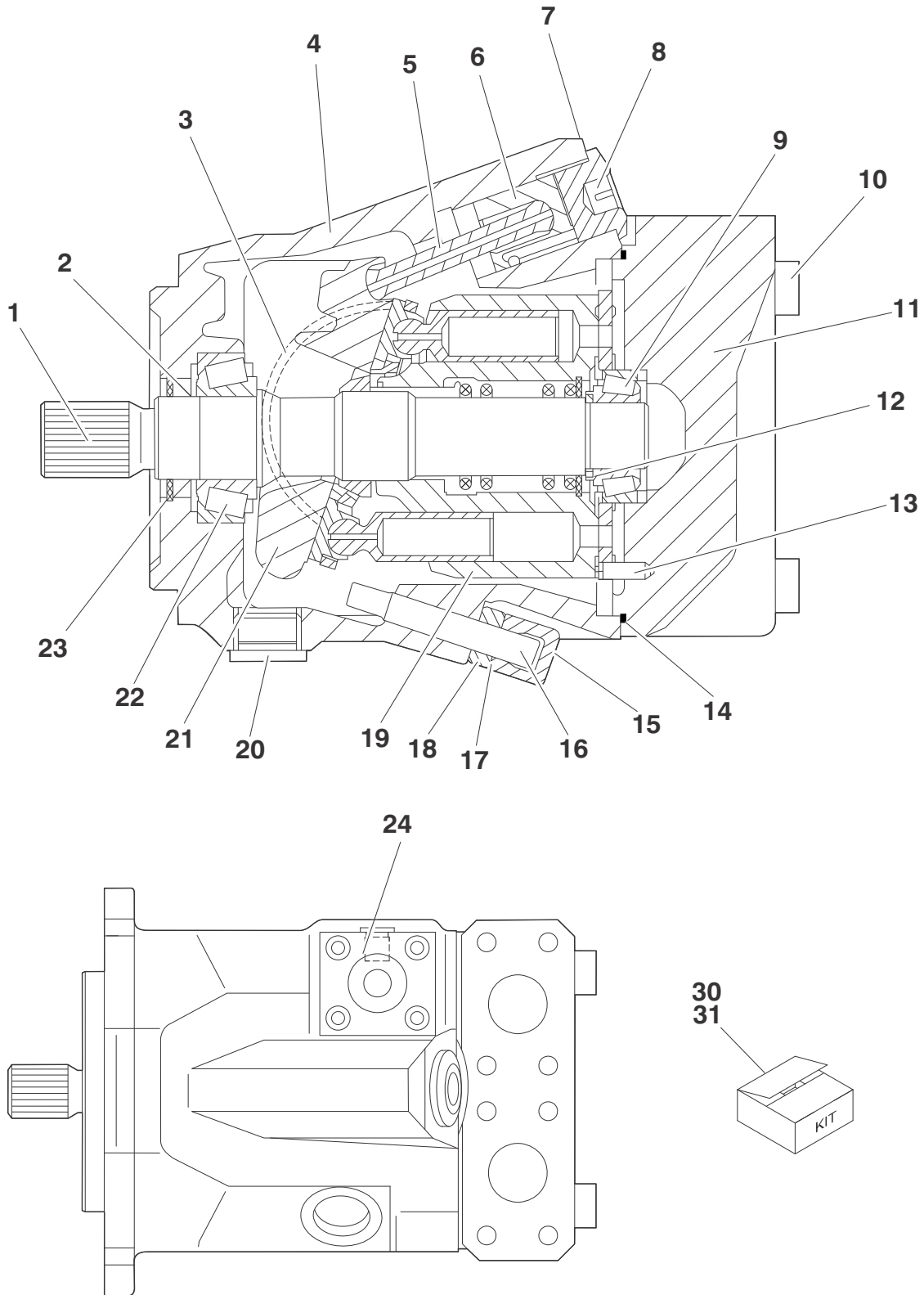
1

F
R
A
M
E**

SECTION 1 FRAME

SECTION
1
FRAME

FIGURE 1-5. DRIVE MOTOR ASSEMBLY



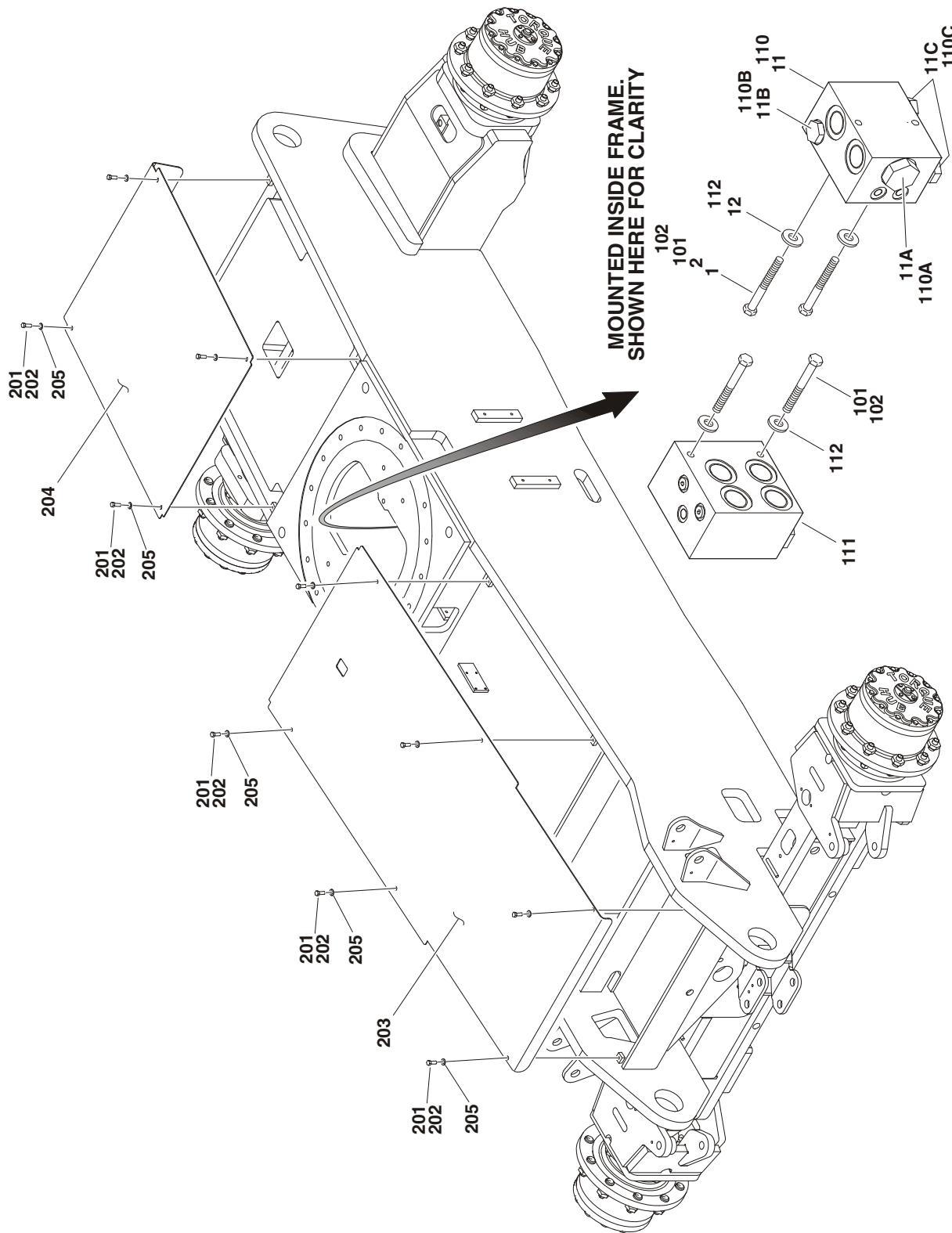
SECTION 1 FRAME

FIGURE 1-5. DRIVE MOTOR ASSEMBLY

FIG & ITEM #	PART NUMBER	DESCRIPTION	QTY.	REV.
	3160204	DRIVE MOTOR ASSEMBLY	Ref	A
1	7012701	Shaft - 13 Teeth	1	
2	Use 2900788	Seal, Shaft	1	
3	7012702	Bearing, Cradle	2	
4	See Note	Housing (Note: Not Available - Purchase Complete Assy.)	1	
5	7012703	Rod, Piston	1	
6	7012704	Piston, Stroking	1	
7	Use 2900788	O-Ring	1	
8	7012705	Nut, Adapter	1	
9	7012706	Bearing, Roller	1	
10	7012707	Bolt, Metric Socket Head M12 x 65	4	
11	7012708	Block, Port	1	
12	7012709	Shim	1	
13	7012710	Pin, Dowel M6 x 18	1	
14	Use 2900788	O-Ring	1	
15	7012711	Nut, Cap M10 x 1	1	
16	7012712	Screw, Adjusting	1	
17	Use 2900788	O-Ring	2	
18	7012713	Nut, Jam M10 x 1	1	
19	Use 7012716	Rotary Group Assembly	1	
20	See Note	Plug (Note: Not Available - Purchase Locally.)	1	
21	Use 7012716	Plate, Swash	1	
22	7012714	Bearing, Roller	1	
23	7012715	V-Ring	1	
24	7012700	Control Plate Assembly	1	
25 to 29	Not Used			
30	2900788	Seal Kit (Includes Items 2,7,14,17 and O-Rings under Item 24)	1	
31	7012716	Rotary Group Kit (Includes Items 19 and 21)	1	

SECTION 1 FRAME

FIGURE 1-6. DRIVE VALVES INSTALLATIONS



SECTION 1 FRAME

FIGURE 1-6. DRIVE VALVES INSTALLATIONS

FIG & ITEM #	PART NUMBER	DESCRIPTION	QTY.	REV.
		DRIVE VALVES INSTALLATION - 2WD/2WS OPTIONS:	Ref	
	0258288	Prior to SN 0300056875	Ref	C
	0270209	SN 0300056875 to SN 0300069000	Ref	B
1	0100011	Compound, Locking,	AR	
2	0641628	Bolt 3/8in-16NC x 3-1/2in	2	
3 to 10	Not Used			
11	4641041	Flow Divider Valve Assembly	1	
11A	7022396	Cartridge, Flow Divider	1	
	7021625	Seal Kit - 7022396 Cartridge	1	
11B	7022398	Cartridge, Load Shuttle	1	
	7023900	Seal Kit - 7022398 Cartridge	1	
11C	7022397	Cartridge, Check Valves	2	
	7022399	Seal Kit - 7022397 Cartridge	2	
12	4751600	Flatwasher, 3/8in	2	
		WHEEL DRIVE INSTALLATION OPTIONS:	Ref	
	0258289	Prior to SN 0300056875 (4WD/2WS)	Ref	D
	0270210	SN 0300056875 to SN 0300069000 (4WD/2WS)	Ref	B
	0258910	Prior to SN 0300056875 (4WD/4WS)	Ref	A
	0270211	SN 0300056875 to SN 0300069000 (4WD/4WS)	Ref	B
101	0100011	Compound, Locking	AR	
102	0641628	Bolt 5/8in-11NC x 3-1/2in	4	
103 to 109	Not Used			
110	4641041	Flow Divider Valve Assembly	1	
110A	7022396	Cartridge, Flow Divider	1	
	7021625	Seal Kit - 7022396 Cartridge	1	
110B	7022398	Cartridge, Load Shuttle	1	
	7023900	Seal Kit - 7022398 Cartridge	1	
110C	7022397	Cartridge, Check Valves	2	
	7022399	Seal Kit - 7022397 Cartridge	2	
111	4641042	Flow Divider Valve Assembly	1	
	7021656	Cartridge, Flow Divider	2	
	7021625	Seal Kit - 7021656 Cartridge	2	
112	4751600	Flatwasher, 3/8in	4	
113 to 114	Not Used			
	0258343	FRAME COVERS INSTALLATION	Ref	C
201	0100011	Compound, Locking	AR	
202	0641608	Bolt, 3/8in- 16NC x 1in	10	
203	3570686	Plate, Cover Front	1	
204	3570690	Plate, Cover Rear	1	
205	4751600	Flatwasher, 3/8in	10	

SECTION 1 FRAME

**S
E
C
T
I
O
N

1

F
R
A
M
E**

FIGURE 1-6. DRIVE VALVES INSTALLATIONS (CONTINUED)

FIG & ITEM #	PART NUMBER	DESCRIPTION	QTY.	REV.

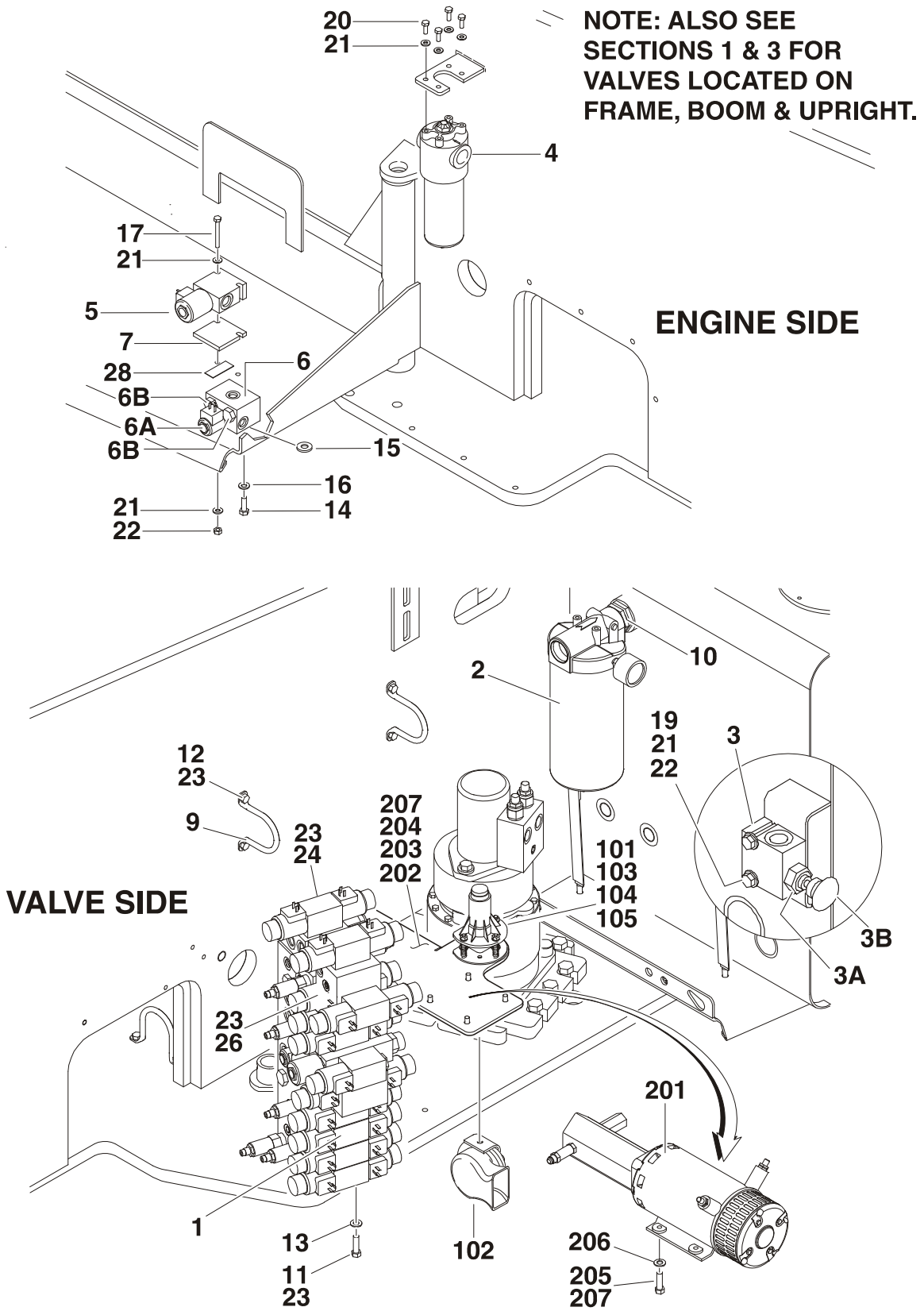
SECTION 2 TURNTABLE

TABLE OF CONTENTS		
FIGURE	DESCRIPTION	PAGE
2-1	CONTROL VALVES INSTALLATIONS	2-2
2-2	MAIN CONTROL VALVE ASSEMBLY	2-6
2-3	ACCESSORY VALVE ASSEMBLY	2-10
2-4	TURNTABLE AND SWING DRIVE INSTALLATIONS (PRIOR TO SN 0300068040)	2-12
2-5	TURNTABLE AND SWING DRIVE INSTALLATIONS (SN 0300068040 TO SN 0300069000)	2-16
2-6	SWING HUB ASSEMBLY (PRIOR TO SN 0300068040)	2-18
2-7	SWING BRAKE ASSEMBLY (PRIOR TO SN 0300068040)	2-20
2-8	SWING MOTOR ASSEMBLY (PRIOR TO SN 0300068040)	2-22
2-9	SWING MOTOR/HUB ASSEMBLY (SN 0300068040 TO SN 0300069000)	2-24
2-10	DEUTZ ENGINE INSTALLATION	2-30
2-11	GENERATOR INSTALLATION - DEUTZ MACHINES (OPTIONAL)	2-38
2-12	FORD ENGINE WITH CARBURETOR INSTALLATIONS (PRIOR TO SN 0300048538)	2-42
2-13	FORD ENGINE WITH EFI INSTALLATIONS (SN 0300048538 TO SN 0300069000)	2-48
2-14	DUAL FUEL INSTALLATION (FORD MACHINE OPTION) (PRIOR TO SN 0300048538)	2-56
2-15	DUAL FUEL INSTALLATION (FORD MACHINE OPTION) (SN 0300048538 TO SN 0300069000)	2-60
2-16	GENERATOR INSTALLATION - FORD MACHINES (OPTIONAL)	2-64
2-17	ISUZU ENGINE INSTALLATIONS - 4JB1 (SN 0300060285 TO SN 0300069000)	2-68
2-18	PISTON PUMP ASSEMBLY	2-74
2-19	TANK INSTALLATIONS	2-78
2-20	ROTARY COUPLING INSTALLATIONS	2-82
2-21	GROUND CONTROL BOX ASSEMBLY (PRIOR TO SN 0300064432)	2-84
2-22	GROUND CONTROL BOX ASSEMBLY (ADE SYSTEM) (SN 0300064432 TO SN 0300069000)	2-90
2-23	ELECTRICAL OPTIONS INSTALLATIONS (TURNTABLE MOUNTED)	2-94
2-24	HOODS INSTALLATION	2-98
2-25	ENGINE TRAY JACK INSTALLATION (OPTIONAL)	2-102

SECTION 2 TURNTABLE

FIGURE 2-1. CONTROL VALVES INSTALLATIONS

SECTION 2 TURNTABLE



SECTION 2 TURNTABLE

FIGURE 2-1. CONTROL VALVES INSTALLATIONS

FIG & ITEM #	PART NUMBER	DESCRIPTION	QTY.	REV.
		VALVES INSTALLATIONS	Ref	
	0258454	800A (2WS)	Ref	C
	0258455	800A (4WS)	Ref	C
	0258456	800AJ (2WS)	Ref	C
	0258457	800AJ (4WS)	Ref	C
1		Main Control Valve Assembly Options (See MAIN CONTROL VALVE ASSEMBLY for Breakdown):	1	
	Use 4641099	Prior to SN 0300040142 (was p/n 4641034)		
	Use 4641099	SN 0300040142 to SN 0300041275 (was p/n 4641093)		
	4641099	SN 0300041275 to SN 0300069000		
2	2120167	Return Filter Assembly	1	
	2120168	Element, Filter	1	
	7020021	Indicator, Clogged	1	
3	4640866	Valve Assembly (Level)	1	
3A	7017466	Cartridge	1	
	2900708	Seal Kit - Cartridge	1	
3B	7012959	Knob	1	
4	2120163	Pressure Filter Assembly	1	
	2120150	Element, Filter	1	
	7023206	O-Ring, Filter Bowl	1	
	7023207	Ring, Filter Bowl Backup	1	
	7020020	Indicator	1	
5	4641061	Solenoid Valve Assembly (Brake)	1	
	7012943	Coil	1	
	7017479	Cartridge without Coil	1	
	7012518	Seal Kit - 7017479 Cartridge	1	
6	4640906	Solenoid Valve Assembly (2 Speed)	1	
6A	7012944	Coil	1	
	7023981	Cartridge without Coil	1	
	7012905	Seal Kit - 7023981 Cartridge	1	
6B	7017481	Cartridge, Check	2	
	7012972	Seal Kit - 7017481 Cartridge	2	
7	3570979	Plate, Spacer	1	
8	Not Used			
9	3841340	Loop, Hose	4	
10	2220893	Fitting, Adapter	1	
11	0641614	Bolt 3/8in-16NC x 1-3/4in	3	
12	0641606	Bolt 3/8in-16NC x 3/4in	8	
13	4711600	Flatwasher 3/8in Narrow	6	
14	0641508	Bolt 5/16in-18NC x 1in	2	
15	4891500	Flatwasher 5/16in	2	
16	4711500	Flatwasher 5/16in Narrow	2	
17	0641418	Bolt 1/4in-20NC x 2-1/4in	2	
18	Not Used			
19	0641414	Bolt 1/4in-20NC x 1-3/4in	2	
20	0651406	Bolt 1/4in-28NF x 3/4in	4	
21	4711400	Flatwasher 1/4in Narrow	16	

SECTION 2 TURNTABLE

SECTION 2 TURNTABLE

FIGURE 2-1. CONTROL VALVES INSTALLATIONS (CONTINUED)

SECTION 2 TURNTABLE

FIG & ITEM #	PART NUMBER	DESCRIPTION	QTY.	REV.
22	3311405	Locknut 1/4in-20NC	6	
23	0100011	Compound, Locking	AR	
24		Valve Assembly (Jib Control) Options: (See ACCESSORY VALVE ASSEMBLY for Breakdown)	AR	
	Not Required	800A	0	
	4640921	800AJ	1	
25		Harness Assembly (Jib Control) Options (Not Shown - See ELECTRICAL SECTION for Breakdown):	AR	
	Not Required	800A	0	
	4921927	800AJ	1	
26		Valve Assembly (4WS Control) Options:	AR	
	Not Required	2WS	0	
	4640922	4WS (See ACCESSORY VALVE ASSEMBLY for Breakdown)	1	
27		Harness Assembly (4WS Control) Options (Not Shown - See ELECTRICAL SECTION for Breakdown):	AR	
	Not Required	2WS	0	
	4921928	4WS	1	
28	4420060	Tape, Double Sided	2in/5cm	
	0258410	TILT INDICATOR INSTALLATION (MACHINES WITHOUT ADE SYSTEM ONLY)	Ref	B
101	4360417	Indicator, Tilt	1	
102	0140001	Horn	1	
103	0641406	Bolt 1/4in-20NC x 3/4in	3	
104	4711400	Flatwasher 1/4in Narrow	5	
105	3311405	Locknut 1/4in-20NC	3	
	0258670	AUXILIARY PUMP INSTALLATION Note: Original Equipment pump may have been replaced with various Service Replacement pump. Identify component before ordering parts.	Ref Ref	B
201		Auxiliary Pump Assembly Options:		
	Use 1001143191	Auxiliary Pump Service Kit (Original Equipment) (was p/n 3600287 & 1001091424)	1	
	7016779	Service Parts for Fenner Brand (p/n 3600287 pump) Replacement Motor Assembly (p/n 3600287 pump)	1	
	7016781	Brush Kit - 7016779 Motor	1	
	7016780	Replacement Pump Assembly (p/n 3600287 pump)	1	
	7016785	Seal Kit - 7016780 Pump	1	
	7016782	Coupling, Pump/Motor (p/n 3600287 pump)	1	
	7016783	Pump Mounting Kit (p/n 3600287 pump)	1	
	7016784	Relief Valve Assembly (p/n 3600287 pump)	1	
	Use 1001137460	Auxiliary Pump Assembly (Service Replacement) (was p/n 3600458)	1	
	70001059	Service Parts for Haldex Brand (p/n 3600458 pump) (Service Replacement) Replacement Motor Assembly (p/n 3600458 pump)	1	

SECTION 2 TURNTABLE

FIGURE 2-1. CONTROL VALVES INSTALLATIONS (CONTINUED)

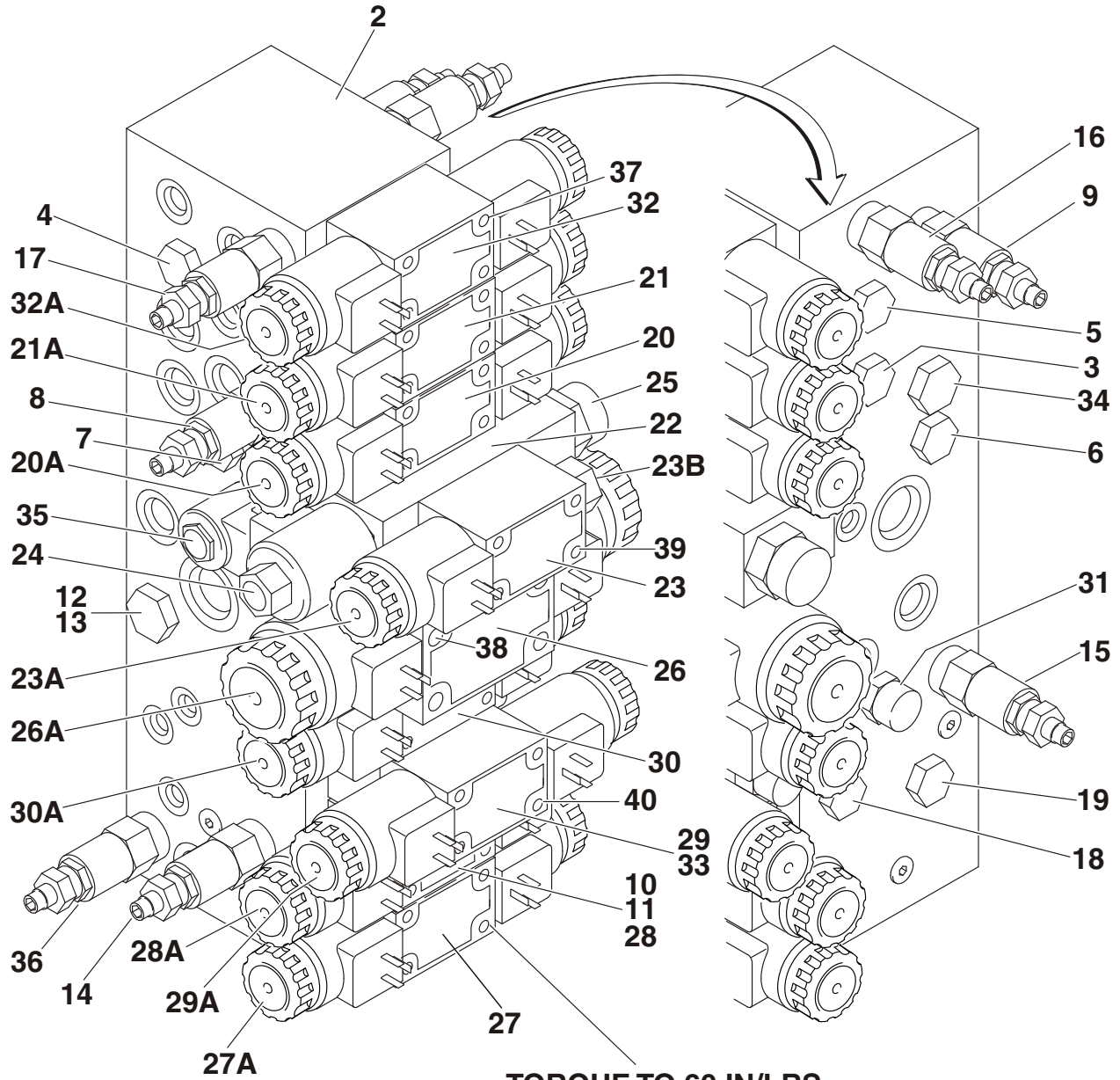
FIG & ITEM #	PART NUMBER	DESCRIPTION	QTY.	REV.	
201 cont'd	See Note	Pump (p/n 1001137460 pump) (Note: Not Available for Purchase)	1		
	70001069	Seal Kit, Pump (p/n 3600458 pump)	1		
	70001068	Motor/Coupling Kit (p/n 3600458 pump)	1		
	70001067	Valve, Logic (p/n 3600458 pump)	1		
	1001137460	Auxiliary Pump Assembly (Service Replacement)	1		
		Service Parts for Bucher Brand (p/n 1001137460 pump) (Service Replacement)			
	70003992	Replacement Motor Assembly (p/n 1001137460 pump)	1		
	See Note	Pump (p/n 1001137460 pump) (Note: Not Available for Purchase)	1		
	70003983	Base Assembly (p/n 1001137460 pump)	1		
	70003993	Seal Shaft - 70003983 Base Assembly	1		
	70003989	Valve, Logic (p/n 1001137460 pump)	1		
	70003990	Relief Valve (p/n 1001137460 pump)	1		
	202	0902415	Bracket, Pump Mounting	1	
	203	0641610	Bolt 3/8in-16NC x 1-1/4in	3	
	204	4751600	Flatwasher 3/8in	3	
205	0641506	Bolt 5/16in-18NC x 3/4in	4		
206	4711500	Flatwasher 5/16in Narrow	4		
207	0100011	Compound, Locking	AR		

SECTION 2 TURNTABLE

SECTION 2 TURNTABLE

FIGURE 2-2. MAIN CONTROL VALVE ASSEMBLY

SECTION 2 TURNTABLE



SECTION 2 TURNTABLE

FIGURE 2-2. MAIN CONTROL VALVE ASSEMBLY

FIG & ITEM #	PART NUMBER	DESCRIPTION	QTY.	REV.
		MAIN CONTROL VALVE ASSEMBLY	Ref	
	4641034	Prior to SN 0300040142	Ref	A
	4641093	SN 0300040142 to SN 0300041275	Ref	B
	4641099	SN 0300041275 to SN 0300069000	Ref	B
		Note: Original Equipment valve may have been replaced with Service Replacement valve. Visually identify the p/n stamped on valve before ordering parts.	Ref	
1	Not Used			
2	See Note	Block (Note: Not Available - Purchase Complete Assy.)	1	
3	7010542	Cartridge, Load Sensing (Main Lift)	1	
	7010543	Seal Kit - 7010542 Cartridge	1	
4	7010542	Cartridge, Load Sensing	1	
	7010543	Seal Kit - 7010542 Cartridge	1	
5	7010542	Cartridge, Load Sensing (Swing)	1	
	7010543	Seal Kit - 7010542 Cartridge	1	
6	7010542	Cartridge, Load Sensing	1	
	7010543	Seal Kit - 7010542 Cartridge	1	
7	7010542	Cartridge, Load Sensing (Main)	1	
	7010543	Seal Kit - 7010542 Cartridge	1	
8	7017420	Cartridge, Relief Valve (Main Lift)	1	
	7012998	Seal Kit - 7017420 Cartridge	1	
9	7017423	Cartridge, Relief Valve (Swing)	1	
	7012998	Seal Kit - 7017420 Cartridge	1	
10	7018941	Orifice	1	
11	7018941	Orifice	1	
12	7017474	Cartridge, Check Valve (Tower Lift)	1	
	2900708	Seal Kit - 7017448 Cartridge	1	
13	7021602	Piston, Pilot (4641093 & 4641099 Valves Only)	1	
14	7017428	Cartridge, Relief Valve (Platform Level Down)	1	
	7012998	Seal Kit - 7017428 Cartridge	1	
15	7017427	Cartridge, Relief Valve (Platform Level Up)	1	
	7012998	Seal Kit - 7017427 Cartridge	1	
16	7017428	Cartridge, Relief Valve (Front Steer)	1	
	7012998	Seal Kit - 7017428 Cartridge	1	
17	7017428	Cartridge, Relief Valve (Front Steer)	1	
	7012998	Seal Kit - 7017428 Cartridge	1	
18	7012914	Cartridge, Pilot Check (Platform Level)	1	
	7012918	Seal Kit - 7012914 Cartridge	1	
19	7012914	Cartridge, Pilot Check (Platform Level)	1	
	7012918	Seal Kit - 7012914 Cartridge	1	
20	7018992	Control Valve Assembly (Main Lift)	1	
	7012773	Seal Kit - 7018992 Valve	1	
20A	7018991	Coil	2	
	7018912	Nut	2	
21	7012775	Control Valve Assembly (Swing)	1	
	7012773	Seal Kit - 7012775 Valve	1	

SECTION 2 TURNTABLE

FIGURE 2-2. MAIN CONTROL VALVE ASSEMBLY (CONTINUED)

SECTION 2 TURNTABLE

FIG & ITEM #	PART NUMBER	DESCRIPTION	QTY.	REV.
21A	7012772	Coil	2	
	7018912	Nut	2	
22	See Note	Manifold, Valve (Main) (Note: Not Available for Purchase.)	1	
23	7018994	Control Valve Assembly (Main)	1	
	7012773	Seal Kit - 7018994 Valve	1	
23A	7012772	Coil	1	
	7018912	Nut	1	
23B	7018993	Plug	1	
24		Cartridge without Coil Options:	1	
	Use 7017414	4641034 & 4641093 Valves - Prior to SN 0300041275 (was p/n 7017475)		
	7017414	4641099 Valve - SN 0300041275 to SN 0300069000		
	2900708	Seal Kit - 7017414 Cartridge	1	
	7012901	Seal Kit - 7017475 Cartridge	1	
	7000645	Coil - 7017414 Valve Only	1	
	7012943	Coil - 7017475 Valve Only	1	
25		Cartridge, Flow Regulator (Main) Options:	1	
	Use 7021601	4641034 Valve - Prior to SN 0300040142 (was p/n 7017476)		
	7021601	4641093 & 4641099 Valves - SN 0300040142 to SN 0300069000		
	7017477	Seal Kit - 7021601 Cartridge	1	
26	Use 70000579	Control Valve Assembly (Main Tele) (was p/n 7012766)	1	
		Note: Refer to Vendor P/N on Valve Nameplate before ordering Parts. P/N 7012766 is RR00567495 or R900567495. P/N 70000579 is R900930080.	Ref	
		Seal Kit Options:	1	
	7012769	7012766 Valve		
	70000583	70000579 Valve		
26A		Coil Options:	1	
	7012772	7012766 Valve (was p/n 7012768)		
	70000582	70000579 Valve		
		Nut, Coil Options:	1	
	7018912	7012766 Valve		
	70000580	70000579 Valve		
27	Use 70001976	Control Valve Assembly (Tower Tele) (was p/n 7012770)	1	
	7012773	Seal Kit - 7012770 Valve	1	
27A	7012772	Coil	2	
	7018912	Nut	2	
28	Use 70001976	Control Valve Assembly (Platform Level) (was p/n 7012770)	1	
	7012773	Seal Kit - 7012770 Valve	1	
28A	7012772	Coil	2	
	7018912	Nut	2	
29	Use 70001976	Control Valve Assembly (Platform Rotate) (was p/n 7012770)	1	
	7012773	Seal Kit - 7012770 Valve	1	
29A	7012772	Coil	2	
	7018912	Nut	2	

SECTION 2 TURNTABLE

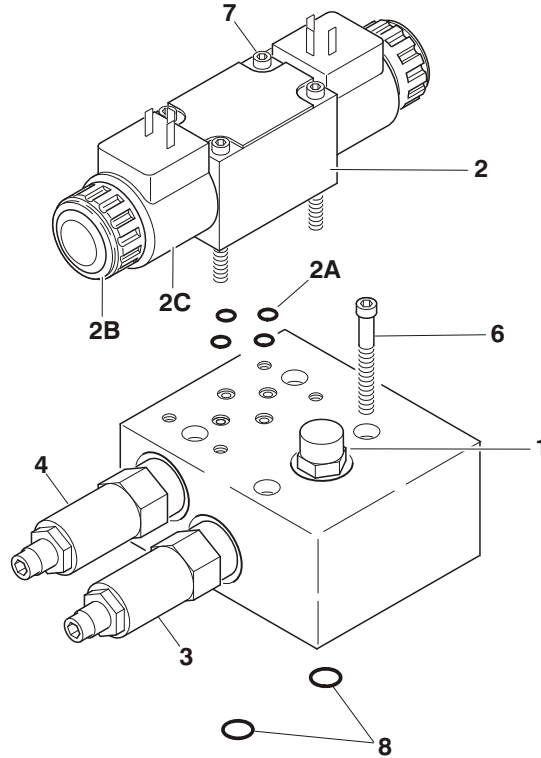
FIGURE 2-2. MAIN CONTROL VALVE ASSEMBLY (CONTINUED)

FIG & ITEM #	PART NUMBER	DESCRIPTION	QTY.	REV.
30	Use 70001976	Control Valve Assembly (Tower Lift) (was p/n 7012770)	1	
	7012773	Seal Kit - 7012770 Valve	1	
30A	7012772	Coil	2	
	7018912	Nut	2	
31	7012989	Cartridge, Flow Regulator (Platform Rotate)	1	
	7012953	Seal Kit - 7012989 Cartridge	1	
32	7012774	Control Valve Assembly (Front Steer)	1	
	7012773	Seal Kit - 7012774 Valve	1	
32A	7012772	Coil	2	
	7018912	Nut	2	
33		Valve, Sandwich (Platform Rotate) Options:	AR	
	Not Required	4641034 & 4641093 Valves - Prior to SN 0300041275	0	
	7021310	4641099 Valve - SN 0300041275 to SN 0300069000	1	
	7018945	O-Rings, Replacement - 7021310 Valve	2	
34	7017478	Cartridge, Check Valve (Main Pressure)	1	
	7017477	Seal Kit - 7017478 Cartridge	1	
35	7012941	Cartridge without Coil (Main Dump)	1	
	7010543	Seal Kit - 7017452 Cartridge	1	
	7012944	Coil	1	
36	7017428	Cartridge, Relief Valve (Tower Tele)	1	
	7012998	Seal Kit - 7017428 Cartridge	1	
37	7018942	Capscrew #10-24NC x 2in	28	
38	7018951	Capscrew 1/4in-20NC x 1-1/2in	4	
39	7021311	Capscrew #10-24NC x 4-1/2in	4	
40	See Note	Valve, Check (Platform Rotate) (4641034 Valve Only)	1	
		(Note: Not Available for Purchase.)		
	7018945	O-Ring (Platform Rotate) (4641034 Valve Only)	2	

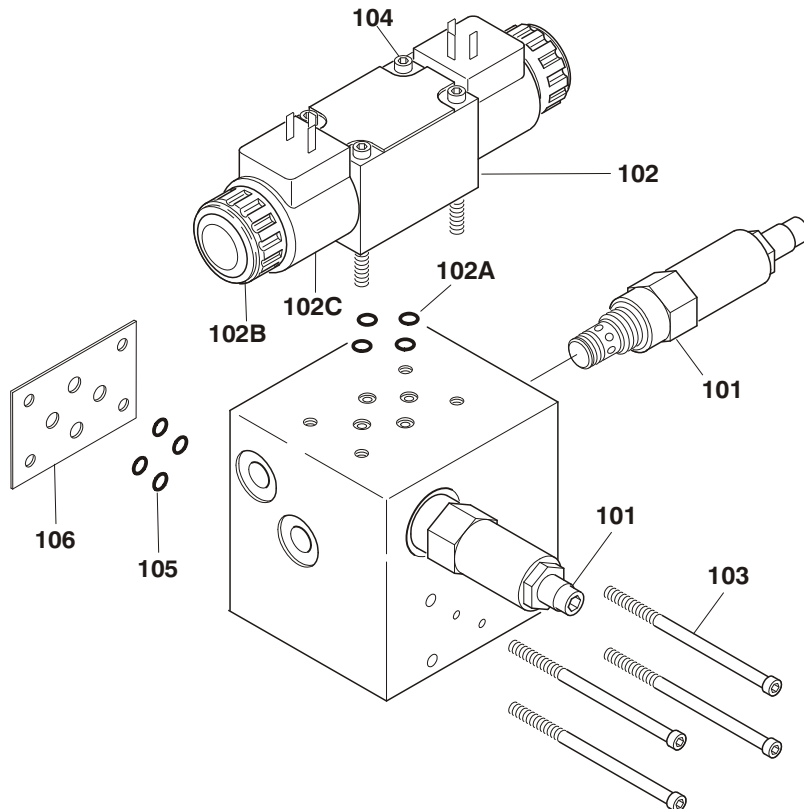
SECTION 2 TURNTABLE

SECTION 2 TURNTABLE

FIGURE 2-3. ACCESSORY VALVE ASSEMBLY



NOTE: TORQUE ITEMS 6, 7, 103 & 104 TO 60 IN/LBS.



SECTION 2 TURNTABLE

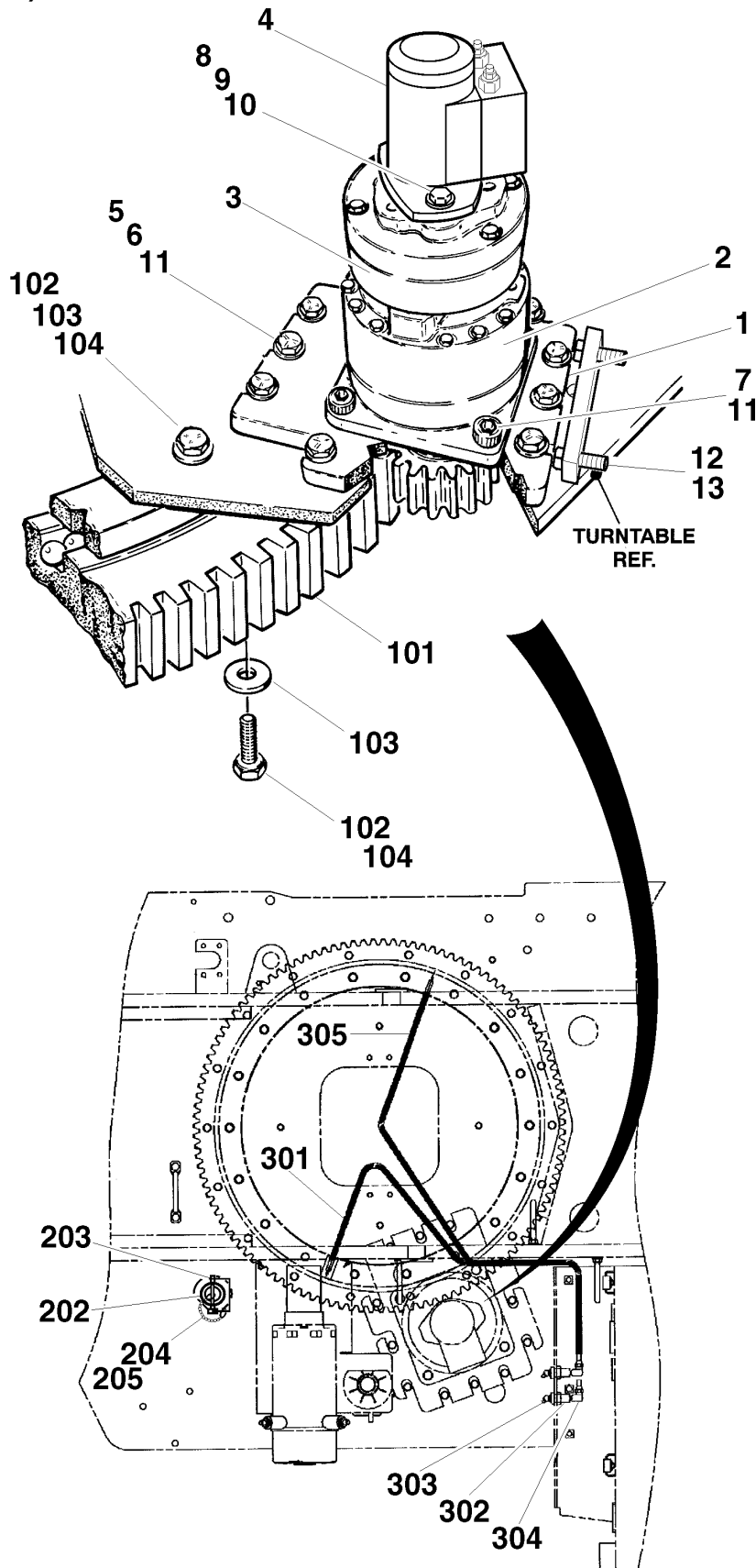
FIGURE 2-3. ACCESSORY VALVE ASSEMBLY

FIG & ITEM #	PART NUMBER	DESCRIPTION	QTY.	REV.
		ACCESSORY VALVE ASSEMBLIES	Ref	
	4640921	ARTICULATING JIB VALVE ASSEMBLY	Ref	D
1	7012965	Cartridge, Flow Control	1	
	7012953	Seal Kit - 7012965 Cartridge	1	
2	Use 70001976	Directional Control Valve Assembly (was p/n 7012770)	1	
	7012773	Seal Kit	1	
2A	7018945	O-Ring	4	
2B	7018912	Nut	2	
2C	7012772	Coil	2	
3	7017421	Cartridge, Relief	1	
	7012998	Seal Kit - 7017421 Cartridge	1	
4	7017422	Cartridge, Relief	1	
	7012998	Seal Kit - 7017422 Cartridge	1	
5	4460499	Connector, DIN with Diode (Not Shown - Part of Valve Harness)	2	
6	7012777	Capscrew, Socket Head 5/16in-18NC x 2-1/4in (Used to Mount Valve Assembly)	4	
7	7018942	Capscrew, Socket Head #10-24NC x 2in	4	
8	7012776	O-Ring (Used to Mount Main Valve)	2	
	4640922	4WS VALVE ASSEMBLY	Ref	B
101	7017420	Cartridge, Relief	1	
	7012998	Seal Kit - 7017420 Cartridge	1	
102	7012774	Directional Control Valve Assembly	1	
	7012773	Seal Kit	1	
102A	7018945	R-Ring	4	
102B	7018912	Nut	2	
102C	7012772	Coil	2	
103	7018946	Capscrew, Socket Head #10-24NC x 5in (Used to Mount Main Valve)	4	
104	7018942	Capscrew, Socket Head #10-24NC x 2in	4	
105	7018948	O-Ring (Used to Mount Main Valve)	4	
106	7018947	Plate, O-Ring	1	

SECTION 2 TURNTABLE

SECTION 2 TURNTABLE

FIGURE 2-4. TURNTABLE AND SWING DRIVE INSTALLATIONS (PRIOR TO SN 0300068040)



SECTION 2 TURNTABLE

SECTION 2 TURNTABLE

FIGURE 2-4. TURNTABLE AND SWING DRIVE INSTALLATIONS (PRIOR TO SN 0300068040)

FIG & ITEM #	PART NUMBER	DESCRIPTION	QTY.	REV.
		TURNTABLE WELDMENT	Ref	
	4620119	Standard Machines	Ref	
		SWING DRIVE INSTALLATION OPTIONS:	Ref	
	0258407	Prior to SN 0300064566	Ref	D
	0270331	SN 0300064566 to SN 0300068040	Ref	B
1	3570488	Plate, Swing Drive	1	
2	2780205	Hub, Swing Assembly (See SWING HUB ASSEMBLY for Breakdown)	1	
3		Brake, Swing Assembly Options: (See SWING BRAKE ASSEMBLY for Breakdown)	1	
	0920111	Prior to SN 0300064566		
	0920119	SN 0300064566 to SN 0300068040		
4		Motor, Swing Assembly Options: (See SWING MOTOR ASSEMBLY for Breakdown)	1	
	3160223	Prior to SN 0300064566		
	3160279	SN 0300064566 to SN 0300068040		
5	0642018	Bolt 5/8in - 11NC x 2-1/4in	12	
6		Washer Options:	12	
	4892000	Flatwasher 5/8in (Prior to SN 0300064566)		
	4740004	Hardened, Washer 5/8in (SN 0300064566 to SN 0300068040)		
7	3932224	Bolt 1/2in - 13NC x 1-1/2in	4	
8	0681836	Bolt 1/2in - 13NC x 4-1/2in (Grade 8)	2	
9	4891800	Flatwasher 1/2in	2	
10	0100011	Compound, Locking	AR	
11	0100019	Compound, Locking	AR	
12	3311802	Nut Jam 1/2in - 13NC (SN 0300052924 to SN 0300068040)	2	
13	3971820	Setscrew 1/2in - 13NC x 2-1/2in (SN 0300052924 to SN 0300068040)	2	
		SWING BEARING INSTALLATIONS	Ref	
	0254798	Prior to SN 0300041029	Ref	A
	0259055	SN 0300041029 to SN 0300068040	Ref	A
101		Bearing, Turntable Options:	1	
	0440207	Prior to SN 0300041029		
	Use 2915096	SN 0300041029 to SN 0300068040 - Bearing Kit (was p/n 0440233) (Kit Includes Bearing & Mounting Hardware)		
102		Bolt 5/8in - 11NC (Grade 8)	36	
	0682016	2in Length - Prior to SN 0300041029		
	0682023	2-7/8in Length - SN 0300041029 to SN 0300068040		
103	4892000	Flatwasher, Hardened	36	
104	0100019	Compound, Locking	AR	

SECTION 2 TURNTABLE

SECTION 2 TURNTABLE

FIGURE 2-4. TURNTABLE AND SWING DRIVE INSTALLATIONS (PRIOR TO SN 0300068040)

FIG & ITEM #	PART NUMBER	DESCRIPTION	QTY.	REV.
	0239585	TURNTABLE LOCK INSTALLATION	Ref	B
201	Not Used			
202	3421627	Pin	1	
203	3421565	Pin, Snap	1	
204	3760170	Ring, Quick Release	2	
205	1260017	Chain	9in/23cm	
	0255316	REMOTE BEARING LUBE INSTALLATION	Ref	2
301	2751095	Hose, Grease	1	
302	2180344	Fitting, Bulkhead	2	
303	2160003	Fitting, Grease Elbow	2	
304	2220063	Fitting, Elbow	2	
305	2751032	Hose, Grease	1	

SECTION 2 TURNTABLE

FIGURE 2-4. TURNTABLE AND SWING DRIVE INSTALLATIONS (PRIOR TO SN 0300068040)

FIG & ITEM #	PART NUMBER	DESCRIPTION	QTY.	REV.

**S
E
C
T
I
O
N

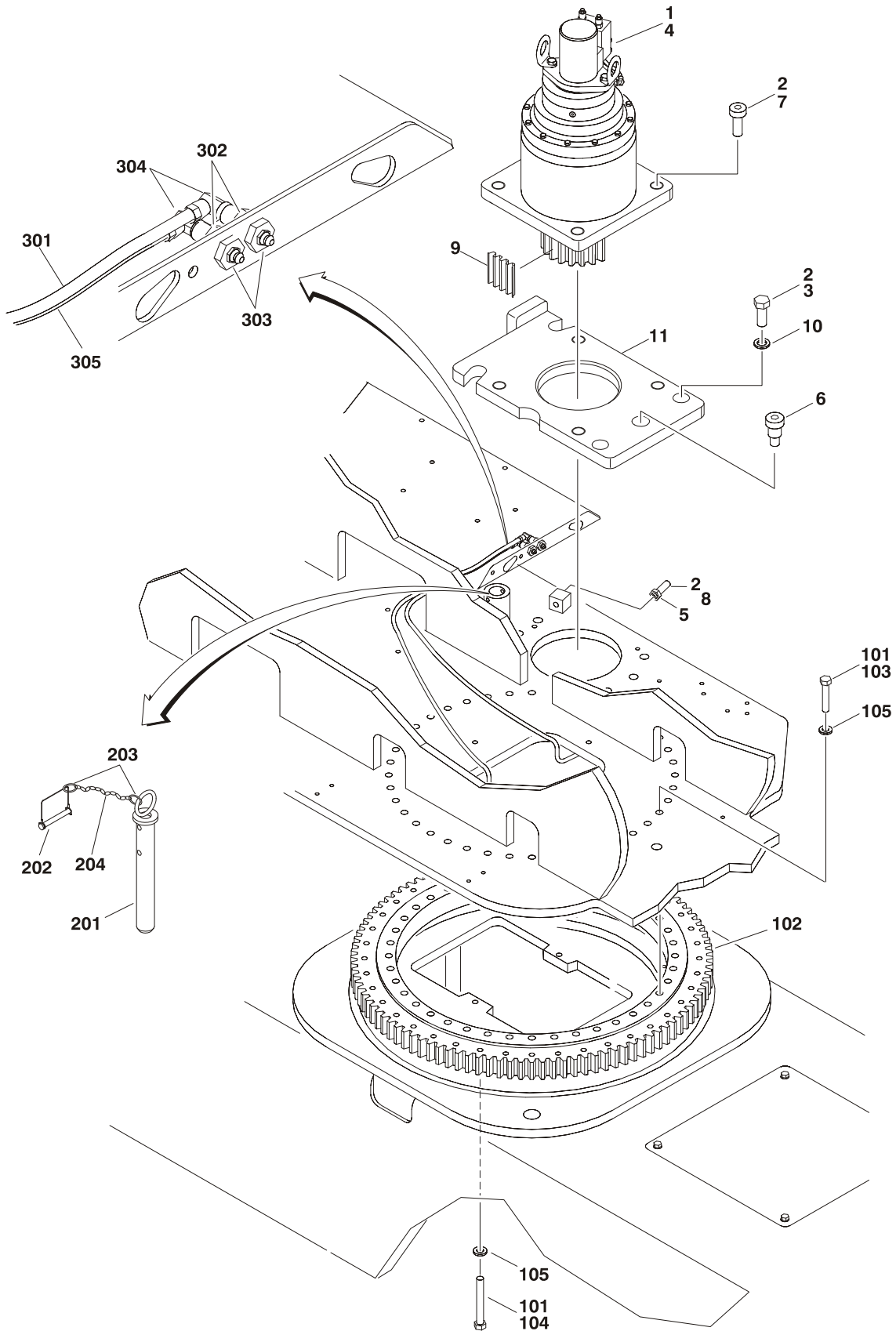
2

T
U
R
N
T
A
B
L
E**

SECTION 2 TURNTABLE

FIGURE 2-5. TURNTABLE AND SWING DRIVE INSTALLATIONS (SN 0300068040 TO SN 0300069000)

SECTION 2 TURNTABLE



SECTION 2 TURNTABLE

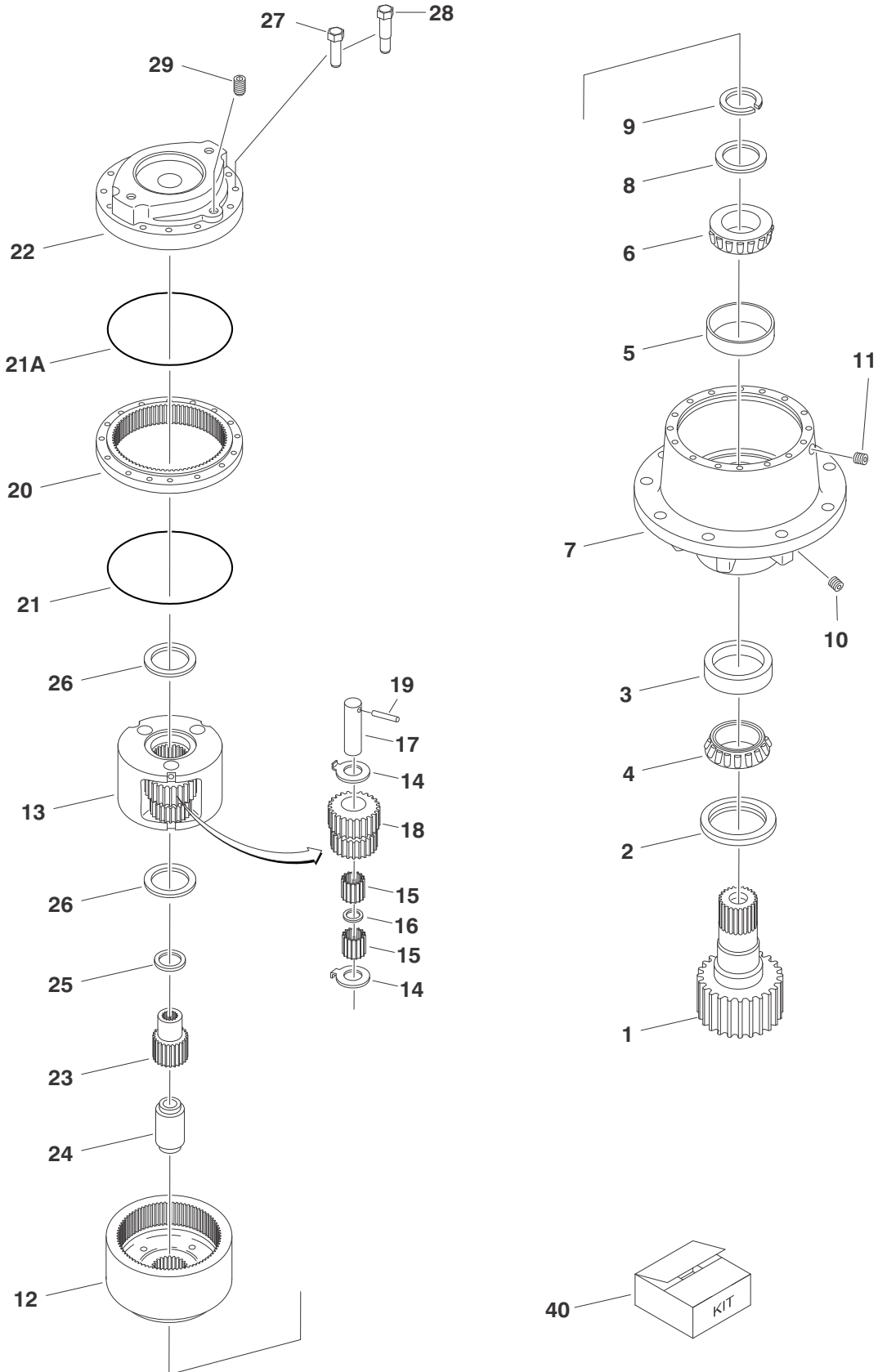
FIGURE 2-5. TURNTABLE AND SWING DRIVE INSTALLATIONS (SN 0300068040 TO SN 0300069000)

FIG & ITEM #	PART NUMBER	DESCRIPTION	QTY.	REV.
		TURNTABLE WELDMENT	Ref	
	4620119	Standard Machines	Ref	
	0272189	SWING DRIVE INSTALLATION	Ref	A
1	0100011	Compound, Locking	AR	
2	0100019	Compound, Locking	AR	
3	0682214	Bolt 3/4in - 10NC x 1-3/4in (Grade 8)	4	
4	3160286	Motor, Swing Assembly (See SWING MOTOR/HUB ASSEMBLY for Breakdown)	1	
5	3312002	Nut Jam 5/8in - 11NC	1	
6	3900293	Screw, Shoulder	1	
7	3932224	Screw 3/4in- 10NC x 1-1/2in	4	
8	3952020	Setscrew 5/8in x 2in	1	
9	4071009	Shim	1	
10	4740057	Hardened, Washer	4	
11	4846430	Plate, Swing Drive	1	
	0271002	SWING BEARING INSTALLATION	Ref	E
101	0100019	Compound, Locking	AR	
102	0440244	Bearing, Turntable	1	
103	0682023	Bolt 5/8in - 11NC x 2-7/8in (Grade 8)	24	
104	0682032	Bolt 5/8in - 11NC x 4in (Grade 8)	24	
105	4892000	Flatwasher, Hardened	48	
	0259147	TURNTABLE LOCK INSTALLATION	Ref	A
201	4844958	Pin, Locking	1	
202	3421565	Pin, Snap	1	
203	3760170	Ring, Quick Release	2	
204	1260017	Chain	9in/23cm	
	0255316	REMOTE BEARING LUBE INSTALLATION	Ref	2
301	2751095	Hose, Grease	1	
302	2180344	Fitting, Bulkhead	2	
303	2160003	Fitting, Grease Elbow	2	
304	2220063	Fitting, Elbow	2	
305	2751032	Hose, Grease	1	

SECTION 2 TURNTABLE

FIGURE 2-6. SWING HUB ASSEMBLY (PRIOR TO SN 0300068040)

SECTION 2 TURNTABLE



SECTION 2 TURNTABLE

FIGURE 2-6. SWING HUB ASSEMBLY (PRIOR TO SN 0300068040)

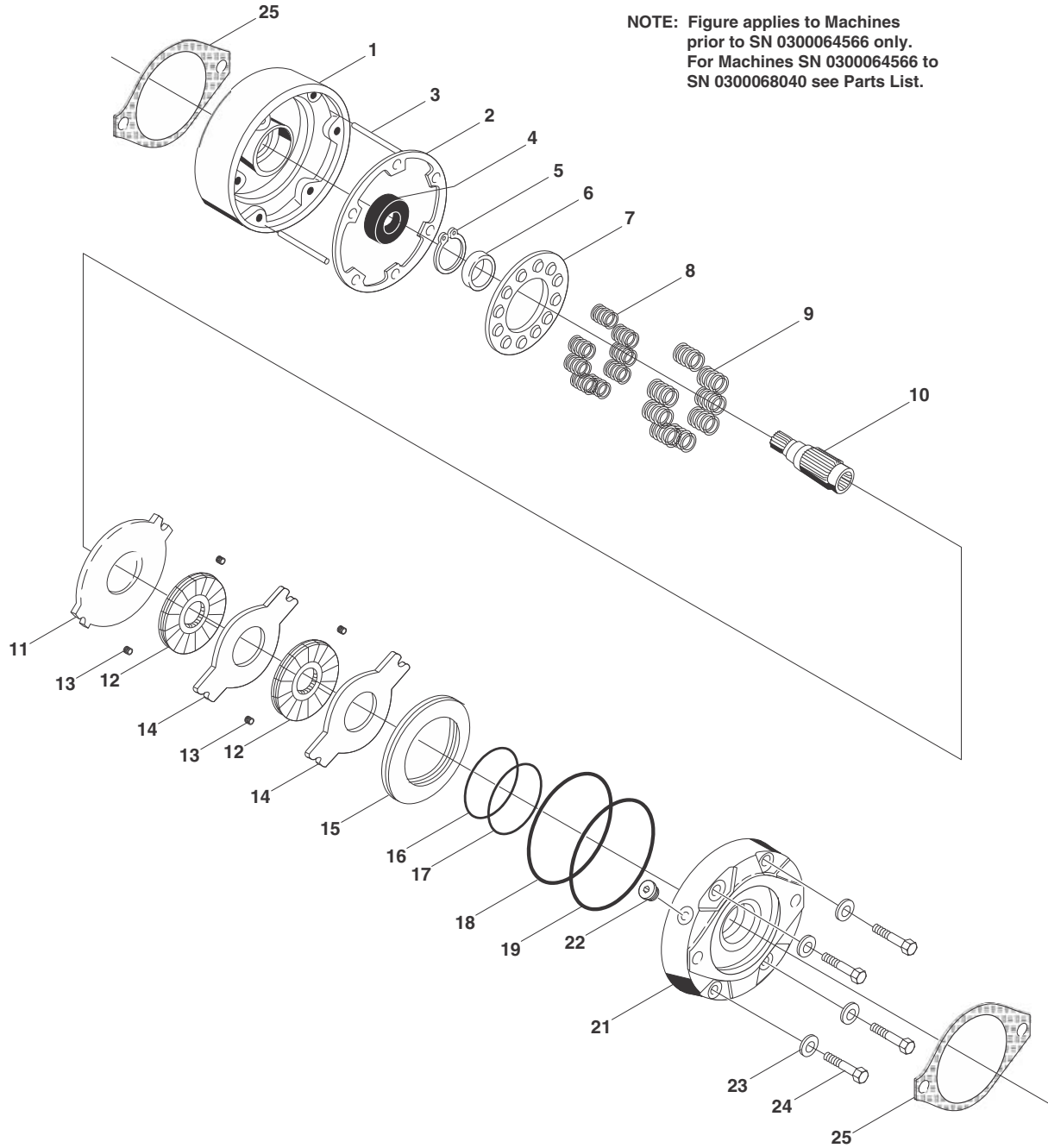
FIG & ITEM #	PART NUMBER	DESCRIPTION	QTY.	REV.
	2780205	SWING HUB ASSEMBLY	Ref	—
		HOUSING ASSEMBLY	Ref	
1	7010492	Shaft, Output	1	
2	7000228	Seal, Lip	1	
3	7000255	Cup, Bearing	1	
4	7000256	Cone, Bearing	1	
5	7000257	Cup, Bearing	1	
6	7000258	Cone, Bearing	1	
7	7017089	Housing	1	
8	7007633	Thrustwasher	1	
9	7000229	Ring, Retaining	1	
10	7010494	Pipe, Plug	2	
11	7001928	Pipe, Plug	2	
12	7000246	Gear, In O-Ring	2	
		CARRIER ASSEMBLY	Ref	
13	7001931	Carrier	1	
14	7001985	Thrustwasher, Tanged	6	
15	7001909	Bearing, Needle	96	
16	7000263	Spacer, Thrust	3	
17	7001911	Shaft, Planet	3	
18	7001987	Gear, Cluster	3	
19	7010474	Rollpin	3	
20	7001988	Ring Gear	1	
21	7000230	O-Ring	1	
21A	7017070	O-Ring	1	
22	7000209	Cover, Input	1	
23	7010488	Gear, Sun	1	
24	7000269	Spacer, Input	1	
25	7000270	Thrustwasher	1	
26	7000253	Thrustwasher	2	
27	7000217	Bolt	8	
28	7000214	Bolt, Shoulder	4	
29	2200222	Pipe, Plug	1	
30 to 39	Not Used			
40	7024100	Kit, Seal (Includes Items 2, 9, 21, 21A & 26)	1	

SECTION 2 TURNTABLE

SECTION 2 TURNTABLE

FIGURE 2-7. SWING BRAKE ASSEMBLY (PRIOR TO SN 0300068040)

SECTION 2 TURNTABLE



SECTION 2 TURNTABLE

FIGURE 2-7. SWING BRAKE ASSEMBLY (PRIOR TO SN 0300068040)

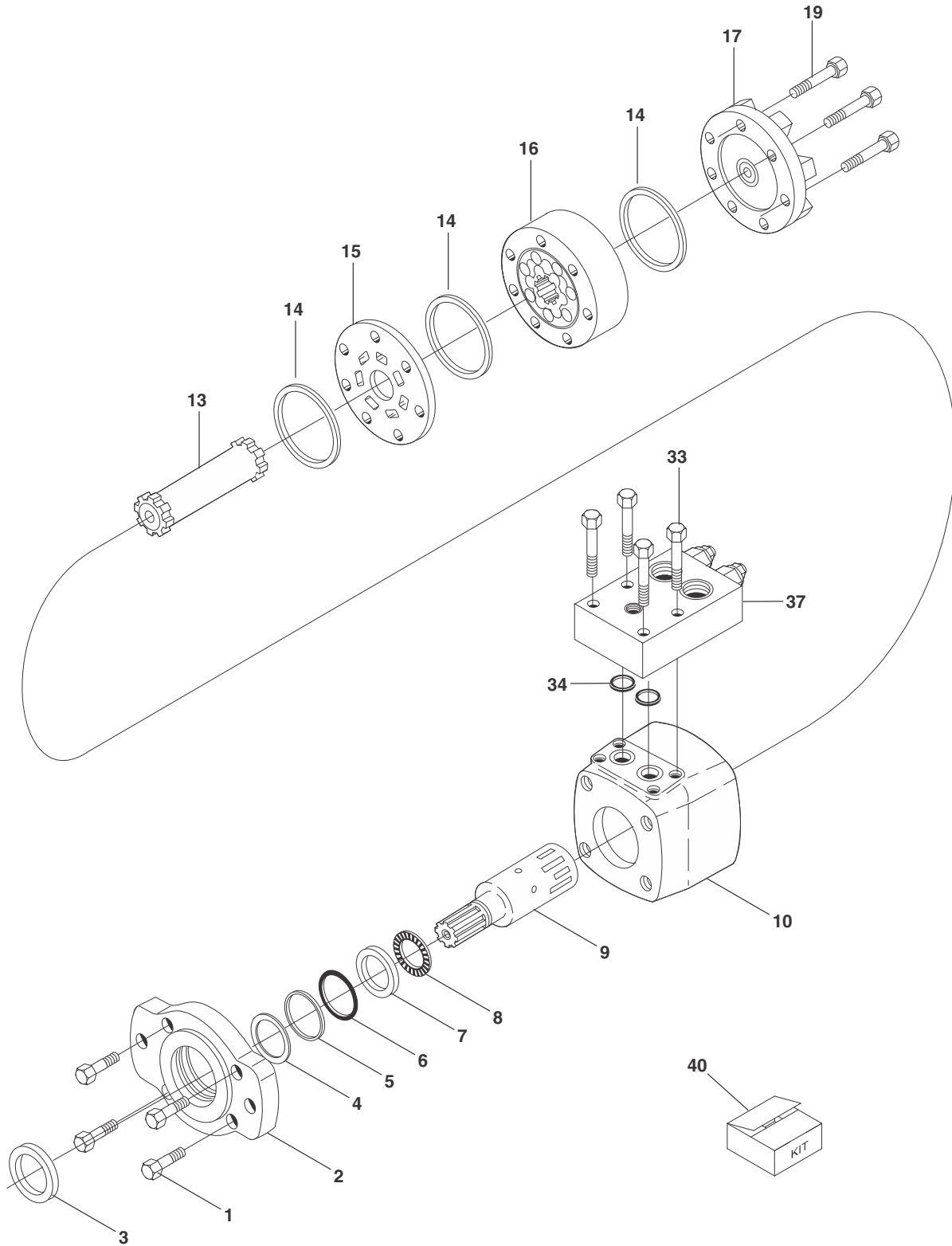
FIG & ITEM #	PART NUMBER	DESCRIPTION	QTY.	REV.
	0920111	SWING BRAKE ASSEMBLY (PRIOR TO SN 0300064566)	Ref	B
1	7003451	Housing	1	
2	7003452	Gasket	1	
3	7003094	Torque Pin	2	
4	7003049	Bearing, Ball	1	
5	7003453	Ring, Retaining	1	
6	7003050	Seal	1	
7	7003454	Retainer, Spring	1	
8	7000798	Spring, Compression (Small)	10	
9	7000782	Spring, Compression (Large)	10	
10	7003455	Shaft	1	
11	7003456	Disc, Primary	1	
12	7003457	Disc, Rotating	2	
13	7003458	Spring, Wave	4	
14	7003459	Disc, Stationary	2	
15	7003460	Piston	1	
16	7000722	Ring, Back-up	1	
17	7000723	O-Ring	1	
18	7000724	Ring, Back-up	1	
19	7000725	O-Ring	1	
20	7000796	Screw, Bleeder	1	
21	7003461	Plate, Power	1	
22	7000728	Plug, Protective	1	
23	7003462	Washer	4	
24	7003463	Bolt 1/2in-13NC	4	
25	7000731	Gasket	2	
	0920119	SWING BRAKE ASSEMBLY (NOT SHOWN) (SN 0300064566 TO SN 0300068040)	Ref	B
	7018612	Kit, Repair Note: Repair Kit Only	1 Ref	

SECTION 2 TURNTABLE

SECTION 2 TURNTABLE

FIGURE 2-8. SWING MOTOR ASSEMBLY (PRIOR TO SN 0300068040)

SECTION 2 TURNTABLE



SECTION 2 TURNTABLE

FIGURE 2-8. SWING MOTOR ASSEMBLY (PRIOR TO SN 0300068040)

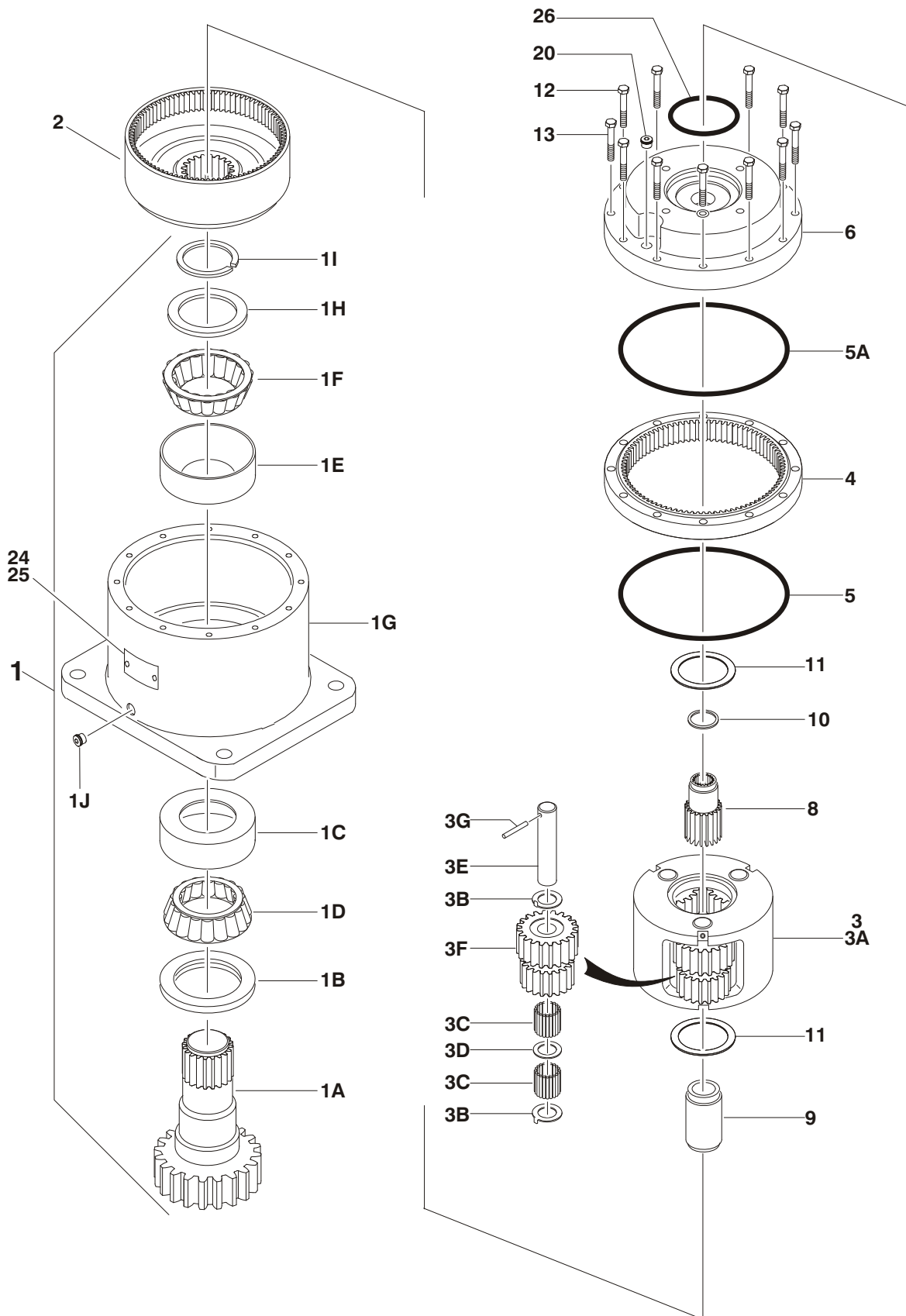
FIG & ITEM #	PART NUMBER	DESCRIPTION	QTY.	REV.
		SWING MOTOR ASSEMBLY	Ref	
	3160223	Prior to SN 0300064061	Ref	B
	3160279	SN 0300064061 to SN 0300068040	Ref	A
1		Bolt Options:	4	
	7002123	Prior to SN 0300064566		
	7020357	SN 0300064566 to SN 0300068040		
2	7009996	Flange, Mounting	1	
3	Use 7020360	Seal, Exclusion	1	
4	Use 7020360	Washer, Back-up	1	
5	Use 7020360	Seal, Pressure	1	
6	Use 7020360	Seal	1	
7	7002117	Race, Bearing	1	
8	7002111	Washer, Thrust	1	
9	7009998	Shaft	1	
10		Housing Options:	1	
	7020335	Prior to SN 0300064061		
	7020358	SN 0300064061 to SN 0300068040		
11 to 12	Not Used			
13	7020336	Drive	1	
14	Use 7020360	Seal, Body	3	
15	7020338	Plate, Spacer	1	
16	7020339	Rotor Set Assembly	1	
17	7020346	Cap, End	1	
18	Not Used			
19	7020340	Bolt	7	
20 to 32	Not Used			
33		Bolt Options:	4	
	7020341	Prior to SN 0300064061		
	7020353	SN 0300064061 to SN 0300068040		
34	Use 7020360	O-Ring	2	
35 to 36	Not Used			
37		Valve, Counterbalance Options:	1	
	7020343	Prior to SN 0300064061		
	7020359	SN 0300064061 to SN 0300068040		
		Cartridge, Valve Options:	2	
	See Note	Prior to SN 0300064061 (Note: Not Available for Purchase.)		
	7020362	SN 0300064061 to SN 0300068040		
		O-Ring Options:	2	
	See Note	Prior to SN 0300064061 (Note: Not Available for Purchase.)		
	7020363	SN 0300064061 to SN 0300068040		
38 to 39	Not Used			
40	7020360	Seal Kit - (Includes Items 3-6, 14 & 34)	1	

SECTION 2 TURNTABLE

SECTION 2 TURNTABLE

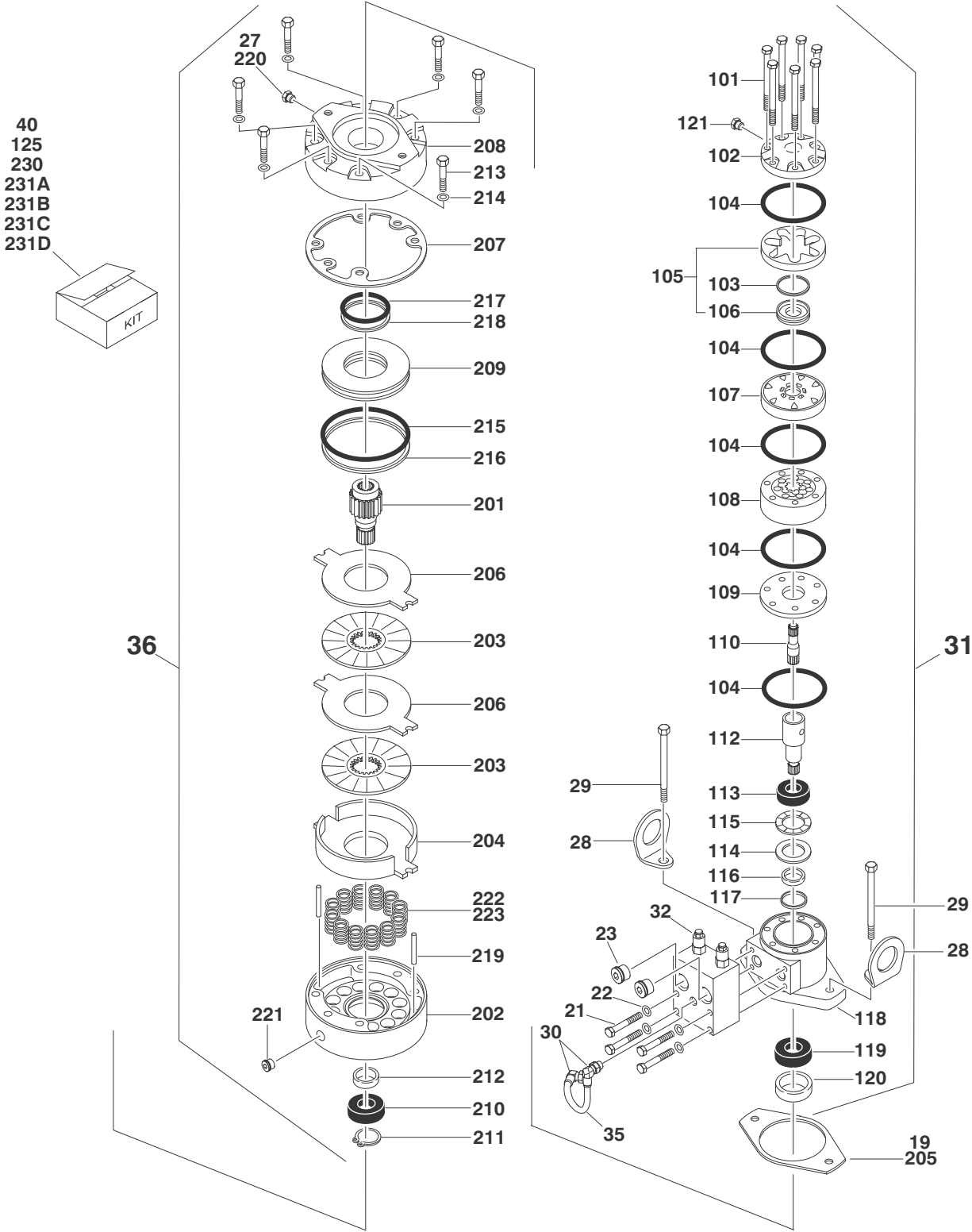
FIGURE 2-9. SWING MOTOR/HUB ASSEMBLY (SN 0300068040 TO SN 0300069000)

SECTION 2 TURNTABLE



SECTION 2 TURNTABLE

SECTION 2 TURNTABLE



SECTION 2 TURNTABLE

SECTION 2 TURNTABLE

FIGURE 2-9. SWING MOTOR/HUB ASSEMBLY (SN 0300068040 TO SN 0300069000)

FIG & ITEM #	PART NUMBER	DESCRIPTION	QTY.	REV.
	3160286	SWING MOTOR/HUB ASSEMBLY	Ref	A
1	See Note	Housing/Shaft Assembly (Note: Not Available - Purchase Individual Components.)	1	
1A	7010492	Shaft, Out put	1	
1B	7000228	Seal, Lip	1	
1C	7000255	Cup, Bearing	1	
1D	7000256	Cone, Bearing	1	
1E	7000257	Cup, Bearing	1	
1F	7000258	Cone, Bearing	1	
1G	7017089	Housing	1	
1H	7007633	Washer, Thrust	1	
1I	7000229	Ring, Retaining	1	
1J	7001928	Plug, Pipe	1	
2	7000246	Gear, Internal	1	
3	See Note	Carrier Assembly (Note: Not Available - Purchase Individual Components.)	1	
3A	7001931	Carrier	1	
3B	7001985	Washer, Tanged	6	
3C	7001909	Bearing, Needle	96	
3D	7000263	Washer, Thrust	3	
3E	7001911	Shaft, Planet	3	
3F	7001912	Gear, Cluster	3	
3G	7010474	Rollpin	3	
4	7000248	Gear, Ring	1	
5	7000230	O-Ring	1	
5A	7017070	O-Ring	1	
6	7000209	Cover, Input	1	
7	Not Used			
8	7010461	Gear, Sun	1	
9	7000269	Spacer, Input	1	
10	7000270	Washer, Thrust	1	
11	7000253	Washer, Thrust	2	
12	7000217	Bolt 5/16in-18NC x 2-1/4in (Grade 8)	8	
13	7000214	Bolt, Shoulder 5/16in-18NC x 1-7/8in (Grade 8)	4	
14 to 18	Not Used			
19	7024703	Gasket	1	
20	2200222	Plug, Pipe	1	
21	7024704	Bolt 5/16in-18NC x 2in (Grade 8)	4	
22	See Note	Lockwasher (Note: Not Available for Purchase.)	4	
23	7017023	Plug, Pipe	2	
24	See Note	Plate, ID (Note: Not Available for Purchase.)	1	
25	7000281	Screw, Drive	2	
26	7024705	O-Ring	1	
27	7017082	Plug, Pipe	1	
28	See Note	Lug, Lifting (Note: Not Available for Purchase.)	2	
29	7024185	Bolt 1/2in-13NC x 5in (Grade 8)	2	
30	7017085	Elbow	2	
31	7024707	Motor Assembly (See Items 101-121 for Breakdown)	1	
32	7024784	Valve (No Serviceable Parts)	1	

SECTION 2 TURNTABLE

FIGURE 2-9. SWING MOTOR/HUB ASSEMBLY (SN 0300068040 TO SN 0300069000) (CONTINUED)

FIG & ITEM #	PART NUMBER	DESCRIPTION	QTY.	REV.
33 to 34	Not Used			
35	7024706	Tube	1	
36	7024702	Brake Assembly (See Items 201-223 for Breakdown)	1	
37 to 39	Not Used			
40	7024100	Seal Kit, Swing Hub (Includes Items 1B, 1I, 5, 5A & 11)	1	
	7024707	MOTOR ASSEMBLY	Ref	
101	7024454	Bolt	5	
102	7024459	Cover, End	1	
103	Use 7024396	Seal, Commutator	1	
104	Use 7024396	Seal, Ring	5	
105	7024453	Commutator and Ring Assembly	1	
106	Use 7024453	Ring	1	
107	7024379	Manifold	1	
108	7024455	Rotor Set	1	
109	7024380	Plate, Wear	1	
110	7024456	Link, Drive	1	
111	Not Used			
112	7024458	Shaft, Coupling	1	
113	7004042	Bushing, Bronze	1	
114	7004043	Washer, Thrust	1	
115	7004044	Bearing, Thrust	1	
116	Use 7024396	Seal, Inner	1	
117	Use 7024396	Washer, Back-up	1	
118	7024457	Housing	1	
119	7004046	Bearing	1	
120	Use 7024396	Seal	1	
121	7010795	Plug, O-Ring	1	
122 to 124	Not Used			
125	7024396	Seal Kit, Motor (Includes Items 103, 104, 116, 117 & 120)	1	
	7024702	BRAKE ASSEMBLY	Ref	
201	7024189	Shaft	1	
202	Use 7024702	Housing (Note: Not Available for Purchase.)	1	
203	Use 7024193	Plate, Friction	2	
204	Use 7024193	Plate, Pressure	1	
205	7000731	Gasket	1	
206	Use 7024193	Plate, Outer	2	
207	See Note	Gasket (Note: Use Item 230, 231C or 231D)	1	
208	7024191	Cylinder	1	
209	7024192	Piston	1	
210	Use 7024197	Bearing, Ball	1	
211	Use 7024197	Ring, Retaining	1	
212	Use 7024197	Seal, Shaft	1	
213	See Note	Capscrew (Note: Not Available for Purchase.)	6	
214	See Note	Lockwasher (Note: Not Available for Purchase.)	6	
215	Use 7024194	O-Ring	1	

SECTION 2 TURNTABLE

SECTION 2 TURNTABLE

SECTION 2 TURNTABLE

FIGURE 2-9. SWING MOTOR/HUB ASSEMBLY (SN 0300068040 TO SN 0300069000) (CONTINUED)

FIG & ITEM #	PART NUMBER	DESCRIPTION	QTY.	REV.
216	Use 7024194	Ring, Back-up	1	
217	Use 7024194	O-Ring	1	
218	Use 7024194	Ring, Back-up	1	
219	7024190	Pin, Dowel	2	
220	See Note	Plug (Note: Not Available - Purchase Locally.)	1	
221	See Note	Plug (Note: Not Available - Purchase Locally.)	1	
222	Use 7024195	Spring (Natural)	AR	
223	Use 7024196	Spring, (Blue)	AR	
224 to 229	Not Used			
230	7024194	Seal Kit, Brake (Includes Items 205, 207 & 215-218)	1	
231		Repair Kit, Brake Options:	1	
231A	7024195	Spring Kit (Includes 12 Natural Colored Springs - Item 222)		
231B	7024196	Spring Kit (Includes 12 Blue Colored Springs - Item 223)		
231C	7024193	Friction Disc Kit (Includes Items 203, 204, 206 & 207)		
231D	7024197	Bearing Kit (Includes Items 207 & 210-212)		

SECTION 2 TURNTABLE

FIGURE 2-9. SWING MOTOR/HUB ASSEMBLY (SN 0300068040 TO SN 0300069000) (CONTINUED)

FIG & ITEM #	PART NUMBER	DESCRIPTION	QTY.	REV.

**S
E
C
T
I
O
N

2

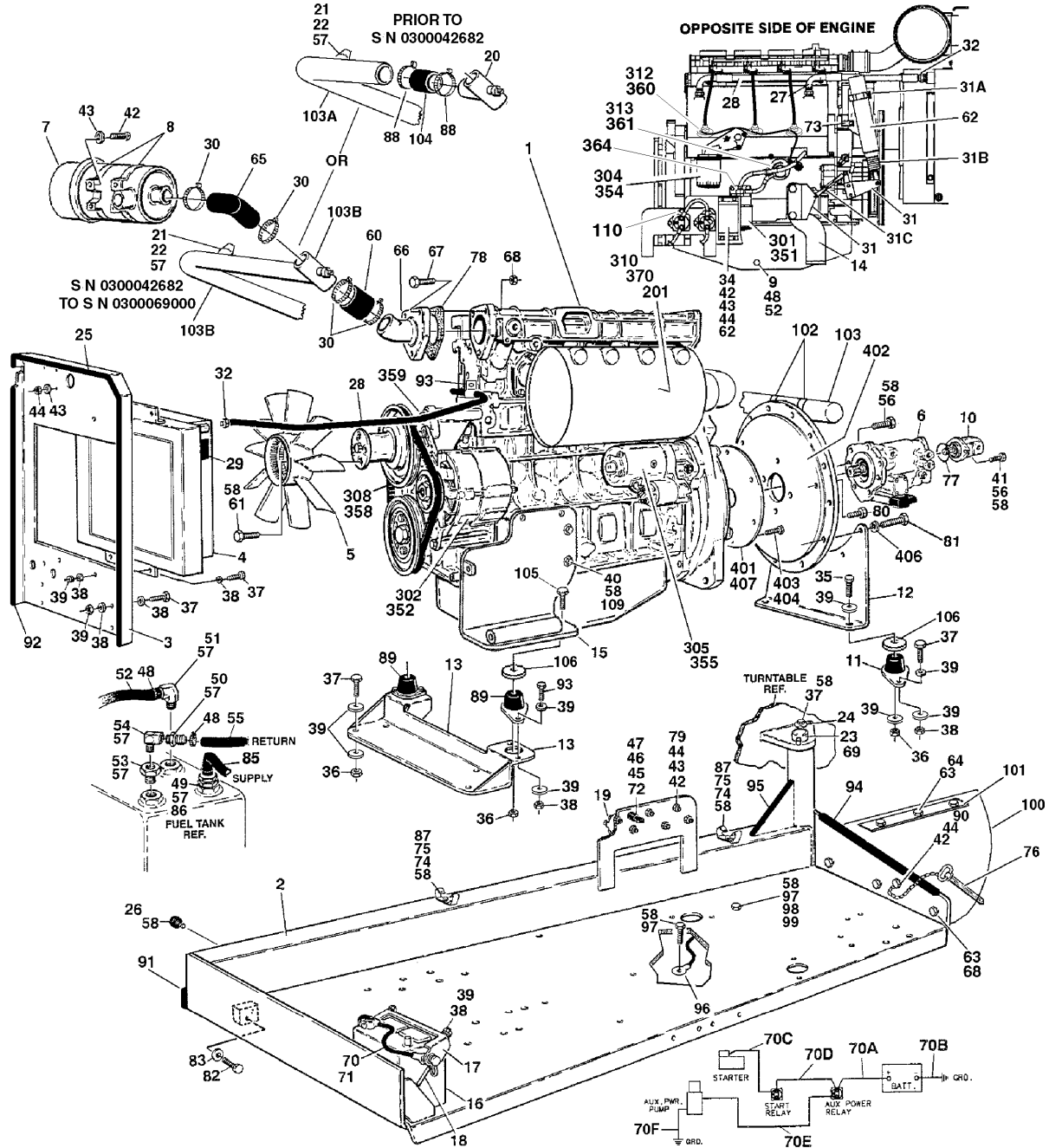
T
U
R
N
T
A
B
L
E**

SECTION 2 TURNTABLE

FIGURE 2-10. DEUTZ ENGINE INSTALLATION

SECTION 2 TURNTABLE

NOTE: These Machine S N's Also Equipped With ADE System: 0300062045, 0300062797, 0300063013, 0300063665, 0300063975, 0300064000-0300064017, 0300064390, 0300064392 & 0300064411.



SECTION 2 TURNTABLE

FIGURE 2-10. DEUTZ ENGINE INSTALLATION

FIG & ITEM #	PART NUMBER	DESCRIPTION	QTY.	REV.
		NOTE: THESE MACHINE SN'S ALSO EQUIPPED WITH ADE SYSTEM: 0300062045, 0300062797, 0300063013, 0300063665, 0300063975, 0300064000-0300064017, 0300064390, 0300064392 & 0300064411.	Ref	
		DEUTZ ENGINE INSTALLATIONS	Ref	
	0258415	Standard Machines (Prior to SN 0300064432)	Ref	6/F
	0271371	ADE System Machines (SN 0300064432 to SN 0300069000)	Ref	9/F
1		Engine - Deutz F4M1011F Diesel Options:	1	
	2000146	Prior to SN 0300064432		
	2000173	SN 0300064432 to SN 0300065695		
	2000189	SN 0300065695 to SN 0300069000		
2	4845404	Tray Engine	1	
3	3539872	Plate, Radiator Mounting	1	
4	3620033	Cooler, Oil	1	
5	2060025	Fan	1	
6		Piston Pump Assembly Options (See PISTON PUMP ASSEMBLY for Breakdown):	1	
	Use 3600295	Prior to SN 0300042829 (was p/n 3600277)		
	3600295	SN 0300042829 to SN 0300069000		
7	1340060	Air Cleaner Assembly	1	
7A	7012664	Element, Air Cleaner (Not Shown)	1	
8	0340041	Band, Mounting	2	
9	4640751	Valve, Oil Drain	1	
10	3600278	Piston Pump Assembly	1	
	7018995	Seal Kit - 3600278 Pump	1	
	7024918	Seal, Shaft		
	7024930	Valve Assembly - 3600278 Motor	1	
11	3200406	Mount, Rubber Engine (Rear)	2	
12	3537420	Bracket, Engine Mounting - Rear	1	
13	3539971	Bracket, Engine Mounting - Front	1	
14	3537416	Support, Engine - Right	1	
15		Support, Engine - Left Options:	1	
	3537417	Prior to SN 0300041506		
	4846479	SN 0300041506 to SN 0300068269		
	4846566	SN 0300068269 to SN 0300069000		
16	0400075	Battery	1	
17	0181727	Hold-Down, Battery	1	
18	0630498	Rod, Hold-Down	2	
19	3740067	Relay	2	
20	4567112	Tee, Air Intake Tube (Prior to SN 0300042682 Only)	1	
21	4360392	Switch, Restriction Indicator	1	
22	2180798	Fitting	1	
23	3422446	Pin, Pivot	1	
24	3841143	Keeper, Pin	1	
25	3960389	Seal	5ft/1.5m	
26	0940070	Bumper, Rubber	1	

SECTION 2 TURNTABLE

SECTION 2 TURNTABLE

FIGURE 2-10. DEUTZ ENGINE INSTALLATION (CONTINUED)

SECTION 2 TURNTABLE

FIG & ITEM #	PART NUMBER	DESCRIPTION	QTY.	REV.
27	3841340	Loop, Hose	AR	
28	2720398	Hose, Oil Cooler	2	
29	1703162	Nameplate - Fan Caution	2	
30	1320016	Clamp, Hose	4	
31	2901392	Throttle Mounting Kit (Prior to SN 0300064432)	1	
31A	7008833	Bracket, Throttle		
31B	7008835	Coupling, Ball Joint		
31C	7008836	Spring		
31D	7023340	Screw, Shoulder 3/8in x 3/8in (Not Shown)	AR	
32	2220451	Fitting, Straight	2	
33	Not Used			
34		Bracket, Control Module Mounting Options:	1	
	0902243	Prior to SN 0300040385		
	0902511	SN 0300040385 to SN 0300064432		
35	0641818	Bolt 1/2in-13NC x 2-1/4in	AR	
36	3311805	Locknut 1/2in-13NC	4	
37	0641610	Bolt 3/8-16NC x 1-1/4in	AR	
38	3311605	Locknut 3/8in-16NC x 1-1/4in	22	
39	4751600	Flatwasher 3/8in	44	
40	0701414	Bolt 1/4in-20NC x 3/4in	6	
41	4891800	Washer, Hardened 1/2in	2	
42	0641407	Bolt 1/4in-20NC x 7/8in	AR	
43	4751400	Flatwasher 1/4in	AR	
44	3311405	Locknut 1/4in-20NC	AR	
45	0721005	Bolt #10-24NC x 5/8in (Prior to SN 0300064432)	2	
46	3321005	Locknut #10-24NC (Prior to SN 0300064432)	2	
47	4751000	Flatwasher #10 (Prior to SN 0300064432)	2	
48	1320022	Clamp, Hose	6	
49	2220273	Fitting, Reducer	2	
50	2180536	Fitting, Straight	1	
51	2220313	Fitting, Elbow	1	
52	2750532	Hose 3/8in	6ft./1.83m	
53	2220250	Fitting, Reducer	1	
54	2220459	Fitting, Elbow	1	
55	2720271	Hose 3/16in	15ft./4.6m	
56	0641812	Bolt 1/2in-13NC x 1-1/2in	4	
57	0100020	Sealant, Thread	AR	
58	0100011	Compound, Locking	AR	
59	Not Used			
60		Coupling, Rubber Intake Options:		
	2720351	Prior to SN 0300067970	6in./15cm	
	2720449	SN 0300067970 to SN 0300069000	1	
61	0700808	Bolt, Metric M8 x 16mm	4	
62	Use 2910000	Actuator Assembly (was p/n 0060033) (See ELECTRICAL SECTION for Breakdown) (Prior to SN 0300064432)	1	
63	0641508	Bolt 5/16in-18NC x 1-1/4in	3	
64	3900272	Capscrew, Button Head 5/16in-18NC x 1-3/4in	3	
65	2720434	Elbow, Rubber	1	
66	4845395	Air Intake Adapter Weldment	1	

SECTION 2 TURNTABLE

FIGURE 2-10. DEUTZ ENGINE INSTALLATION (CONTINUED)

FIG & ITEM #	PART NUMBER	DESCRIPTION	QTY.	REV.
67	0641510	Bolt 5/16in-18NC x 1-1/4in	3	
68	3311505	Locknut 5/16in-18NC	AR	
69	0961986	Bushing, Flanged	2	
70	2901609	Battery Cable Kit	1	
70A	7016800	Cable, Battery (Red)	1	
70B	7016809	Cable, Battery (Black)	1	
70C	7016802	Cable (Red)	1	
70D	7016803	Cable (Red)	1	
70E	7016824	Cable (Red)	1	
70F	7016825	Cable (Black)	1	
71	4460611	Terminal, Battery Jumper Post	1	
72	4360294	Breaker, Circuit - 30 Amp (Prior to SN 0300064432)	1	
73	1320222	J-Clip 3/8in	1	
74	1320223	J-Clip 1/2in	3	
75	0641606	Bolt 3/8in-16NC x 3/4in	3	
76	3422532	Pin, Hitch	1	
77	3790044	O-Ring	1	
78	3960407	Gasket	1	
79	4791400	Starwasher 1/4in	4	
80	0701012	Bolt, Metric M10 x 25mm	4	
81	0701015	Bolt, Metric M10 x 35mm	4	
82	0642010	Bolt 5/8in-11NC x 1-1/4in	1	
83	4752000	Flatwasher 5/8in	1	
84	1701505	Decal - Diesel (Not Shown - Located on Hood)	1	
85	2720058	Hose	16ft/4.9m	
86	2220794	Fitting, Barbed	1	
87	4711600	Flatwasher 3/8in Narrow	3	
88	1320031	Clamp (Prior to SN 0300042682 Only)	2	
89	3200362	Mount, Rubber Engine (Front)	2	
90	4711400	Flatwasher 1/4in Narrow	1	
91	3960468	Seal, Foam Gasket	1	
92	3960469	Seal, Foam Gasket	1	
93	0641608	Bolt 3/8in-16NC x 1in	14	
94	4060805	Flex-Trim 1/4in	7in/18cm	
95	4060804	Flex-Trim 3/16in	16in/40cm	
96	1060637	Lanyard	1	
97	0641808	Bolt 1/2in-13NC x 1in	2	
98	3311801	Nut 1/2in-13NC	1	
99	4751800	Flatwasher 1/2in	1	
100	3380429	Panel, Rubber	1	
101	3539957	Plate, Hold Down	2	
102	1320131	Clamp (Prior to SN 0300042682 Only)	2	
103		Tuning Tube Weldment Options:	1	
103A	4845394	Prior to SN 0300042682		
103B	4567815	SN 0300042682 to SN 0300069000		
104	2720423	Hose (Prior to SN 0300042682 Only)	1	
105	0641826	Bolt 1/2in-13NC x 3-1/4in	2	
106	4740274	Washer, Snubbing	4	

SECTION 2 TURNTABLE

FIGURE 2-10. DEUTZ ENGINE INSTALLATION (CONTINUED)

SECTION 2 TURNTABLE

FIG & ITEM #	PART NUMBER	DESCRIPTION	QTY.	REV.
107	1320258	Clamp (Not Shown - Located in Center of Turntable) (SN 0300042829 to SN 0300052924)	1	
108	0641810	Bolt 1/2in-13NC x 1-1/4in (Not Shown - Used with Item 107) (Prior to SN 0300052924)	1	
109	4711900	Flatwasher 9/16in	6	
110	4922737	Harness, Engine Grounding (SN 0300068561 to SN 0300069000)	1	
		MUFFLER INSTALLATIONS	Ref	
	0256689	Standard Equipment (Spark Arresting)	Ref	—
	0256690	Optional Equipment (Catalytic)	Ref	—
201		Muffler Options:	1	
	3220103	Spark Arresting		
	3220104	Catalytic		
		Muffler Components:		
		Clamp Options:	1	
	1320176	Saddle Clamp Used on Spark Arresting		
	70001017	Band Clamp Used on Catalytic		
	7024398	Tube, Exhaust	1	
	7024560	Plug, Brass	1	
	2000146	ENGINE COMPONENTS (PRIOR TO SN 0300064432)	Ref	D
301	7016328	Filter, Fuel (was p/n 7016639)	1	
302	7000663	Alternator (was p/ns 7016329, 7020436 & 7020410)	1	
303	7016330	Switch, Oil Pressure (Not Shown)	1	
304	7016331	Filter, Oil (was p/n 7016641)	1	
	70002813	Seal (Between Filter Head & Block)	1	
305	7016332	Starter	1	
306	7026631	Dipstick, Engine Oil (was p/ns 7019664 & 7016640) (Not Shown)	1	
	70001002	Tube, Oil Dipstick (was p/n 7019664) (Not Shown)	1	
307	7020025	Switch, Engine Oil Temperature (Not Shown)	1	
308	7020414	V-Belt	1	
309		Gasket, Cylinder Head Options (Not Shown):	1	
	70001681	1 Notch		
	70002411	2 Notches		
	70002530	3 Notches		
	7020431	Gasket, Valve Cover (Not Shown):	1	
310	7000699	Seal (Doughnut)	1	
	7020471	Gasket (Muffler to Head)	4	
	70003476	Nut, Muffler Attaching	8	
311	7019607	Shutdown, Throttle (was p/n 7016359) (Not Shown)	1	
312	7012599	Pump, Fuel Injection	4	
	7020427	Injector, Fuel (Not Shown)	4	
	7020425	Nozzle (Not Shown)	4	
313	7020463	Pump, Fuel Supply	1	
	7020419	Hose, Fuel Return	1	

SECTION 2 TURNTABLE

FIGURE 2-10. DEUTZ ENGINE INSTALLATION (CONTINUED)

FIG & ITEM #	PART NUMBER	DESCRIPTION	QTY.	REV.
314	7020027	Flywheel/Ring Gear Assembly (Not Shown)	1	
	7020477	Ring Gear Only (Not Shown)	1	
315	7020404	Washer, Oil Drain Plug (Not Shown)	1	
316	7027250	Spring, Actuator (Not Shown)	1	
317	7020465	Filler Cap, Oil (Not Shown)	1	
		ENGINE COMPONENTS	Ref	
	2000173	SN 0300064432 to SN 0300065695	Ref	B
	2000189	SN 0300065695 to SN 0300069000	Ref	A
351	8320270	Filter, Fuel (was p/n 7016328)	1	
352	7000663	Alternator (was p/n 7020410)	1	
	7020464	Regulator	1	
	70002234	Bracket, Adjustable	1	
	70003556	Pulley	1	
353	7020461	Switch, Oil Pressure (Not Shown)	1	
354	7016331	Filter, Oil	1	
355		Starter Options:	1	
	7016332	Starter for 2000173 Engine		
	7020479	Starter for 2000189 Engine		
	See Note	Relay (Note: Not Available for Purchase.)	1	
	7026608	Bolt, Starter Mounting	2	
	70001498	Shield, Starter Heat (Not Shown)	1	
356		Dipstick, Oil Level Options (Not Shown):	1	
	7020418	Dipstick for 2000173 Engine		
	7026631	Dipstick for 2000189 Engine		
	7020487	Seal, Dipstick (Not Shown)	1	
		Tube, Dipstick Options (Not Shown):	1	
	See Note	Tube for 2000173 Engine (Note: Not Available for Purchase.)		
	70001002	Tube for 2000189 Engine		
357	7020168	Switch, Engine Temperature (Not Shown)	1	
	7020480	Seal, Temperature Switch (Not Shown)	1	
358	7020408	V-Belt	1	
359	7020458	Actuator	1	
	7026607	Spring, Actuator (was p/n 7027276)	1	
360	7020462	Pump, Fuel Injection (was p/n 7024318)	4	
		Injector, Fuel (Includes Nozzle Element) (Not Shown):	4	
	See Note	Injector for 2000173 Engine (Note: Not Available for Purchase.)		
	7026522	Injector for 2000189 Engine		
361		Pump, Fuel Supply Options:	1	
	7020463	Pump for 2000173 Engine		
	7024413	Pump for 2000189 Engine		
	7020411	Seal, Pump (Not Shown)	1	

SECTION 2 TURNTABLE

SECTION 2 TURNTABLE

FIGURE 2-10. DEUTZ ENGINE INSTALLATION (CONTINUED)

SECTION 2 TURNTABLE

FIG & ITEM #	PART NUMBER	DESCRIPTION	QTY.	REV.
362		Flywheel Options (Not Shown):	1	
	7020027	Flywheel for 2000173 Engine (Includes Ring Gear)		
	See Note	Flywheel for 2000189 Engine (Note: Not Available for Purchase.)		
	7024579	Ring Gear for 2000189 Engine		
363	7024565	Sensor, Tach (Not Shown - Located on Flywheel Housing) (was p/n 7020481)	1	
364	70001423	Fuel Filter Head	1	
365	7020431	Gasket, Valve Cover (Not Shown)	1	
		Gasket, Cylinder Head Options: (Not Shown)	1	
	70001681	1 Notch		
	70002411	2 Notches		
	70002530	3 Notches		
366	7020459	Thermostat (Includes Spring) (Not Shown)	1	
	7020460	Spring, Thermostat (Not Shown)	1	
367	7020465	Cap, Oil Fill (Not Shown)	1	
368	7020474	Pump Oil Lubrication (Not Shown)	1	
	7020468	Ring, Pump Sealing (Not Shown)	1	
369	7020449	Gasket , Intake Manifold to Head (Not Shown)	4	
370	7020471	Gasket , Exhaust Manifold to Head	4	
	0256847	PUMP COUPLING INSTALLATION	Ref	—
401	1660234	Coupling, Hayes	1	
402	0080163	Plate, Pump Adapter	1	
403	0700810	Bolt Metric M8 x 20mm	63	
404	4831900	Lockwasher M8	6	
405	Not Used			
406	4832000	Lockwasher M10	8	
407	3020021	Grease, Coupling	AR	

SECTION 2 TURNTABLE

FIGURE 2-10. DEUTZ ENGINE INSTALLATION (CONTINUED)

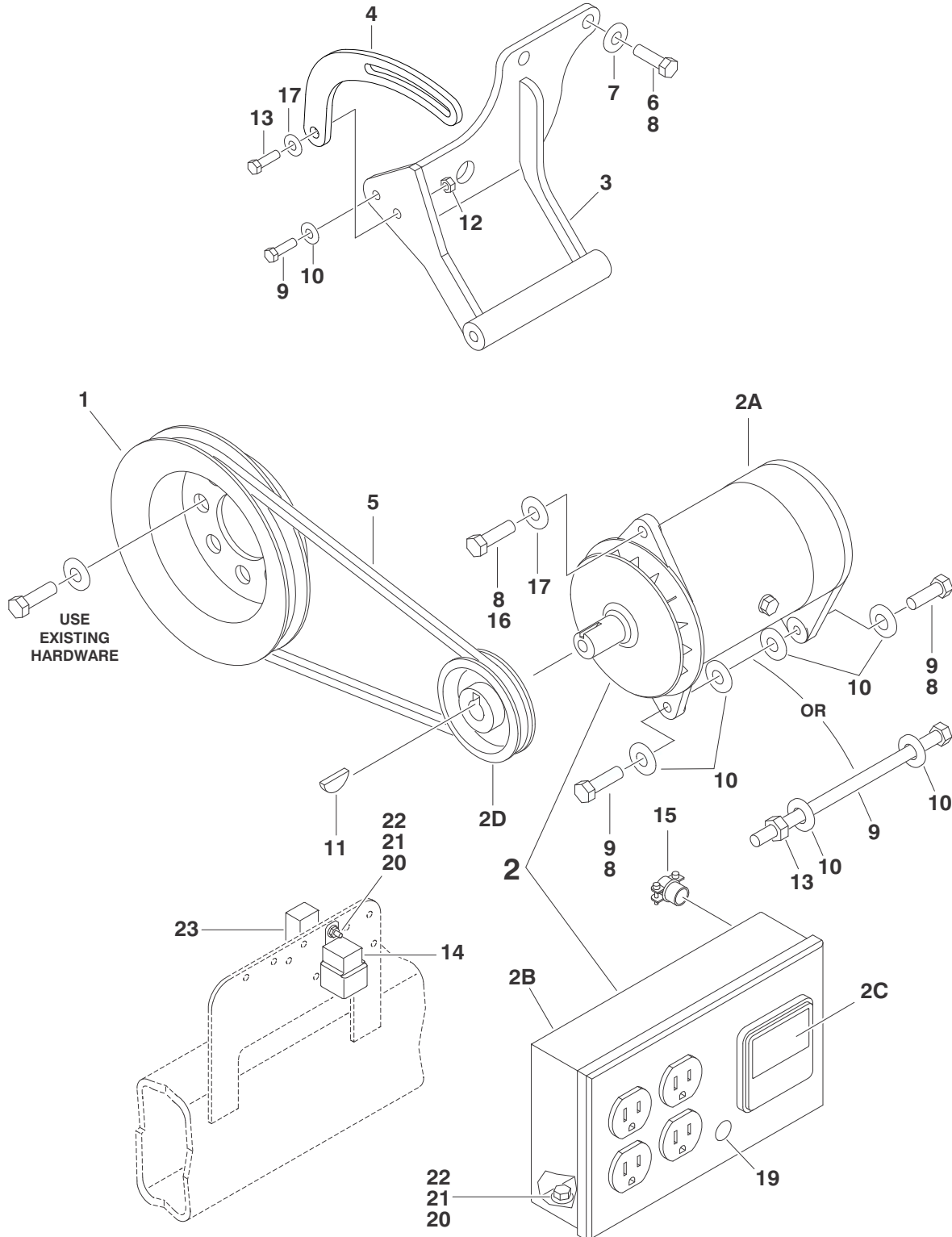
FIG & ITEM #	PART NUMBER	DESCRIPTION	QTY.	REV.

SECTION 2 TURNTABLE

SECTION 2 TURNTABLE

FIGURE 2-11. GENERATOR INSTALLATION - DEUTZ MACHINES (OPTIONAL)

NOTE: These Machine SN's Also Equipped With ADE System: 0300062045, 0300062797, 0300063013, 0300063665, 0300063975, 0300064000-0300064017, 0300064390, 0300064392 & 0300064411.



SECTION 2 TURNTABLE

FIGURE 2-11. GENERATOR INSTALLATION - DEUTZ MACHINES (OPTIONAL)

FIG & ITEM #	PART NUMBER	DESCRIPTION	QTY.	REV.
		NOTE: THESE MACHINE SN'S ALSO EQUIPPED WITH ADE SYSTEM: 0300062045, 0300062797, 0300063013, 0300063665, 0300063975, 0300064000-0300064017, 0300064390, 0300064392 & 0300064411.	Ref	
		GENERATOR INSTALLATIONS	Ref	
		110V Generator Options:	Ref	
	0257853	110V Generator (Prior to SN 0300064432)	Ref	3
	0271544	110V Generator - ADE System (SN 0300064432 to SN 0300068269)	Ref	3
	0272480	110V Generator - ADE System (SN 0300068269 to SN 0300069000)	Ref	2
		220V Generator Options:	Ref	
	0257857	220V Generator (Prior to SN 0300064432)	Ref	4
	0271547	220V Generator - ADE System (SN 0300064432 to SN 0300068269)	Ref	5
	0272481	220V Generator - ADE System (SN 0300068269 to SN 0300069000)	Ref	2
		Note: Refer to Sky Power Accessories Manual p/n 3124242 for the Miller 7500W Generator.	Ref	
1	3580158	Pulley	1	
2		Generator and Control Box Assembly Options:	1	
	2460011	110Volt Assembly (Prior to SN 0300066053)		I
	2460032	110Volt Assembly (SN 0300066053 to SN 0300069000)		C
	2460013	220Volt Assembly		B
2A		Generator Options:	1	
	7012558	110V Replacement Generator	1	
		Note: Replacement Generator p/n 7012558 come standard with p/n 3580134 pulley. This pulley may not be correct for all applications. Refer to pulley options below.	Ref	
	1001100321	220V Replacement Generator	1	
	7012513	Cap, Brush Holder	4	
	7020108	Brush	4	
	7020109	Holder, Brush	4	
	7026199	110V/60Hz Armature with Slip Rings	1	
	70000123	220V/50Hz Armature with Slip Rings	1	
	7012514	Fan	1	
	7020190	Bearing	2	
	7020110	End Bell, Front	1	
	7020111	End Bell, Rear	1	
	7020193	Harness, Generator	1	
2B		Box, Control Options:	1	
	7003657	110V/60Hz Replacement Box		
		Note: Replacement 110V Control Box comes with (2) standard receptacles p/n 4460190. Optional industrial twist lock receptacle p/n 4460027 must be ordered separately.	Ref	
	70002235	220V/50Hz Replacement Box		

SECTION 2 TURNTABLE

SECTION 2 TURNTABLE

FIGURE 2-11. GENERATOR INSTALLATION - DEUTZ MACHINES (OPTIONAL) (CONTINUED)

SECTION 2 TURNTABLE

FIG & ITEM #	PART NUMBER	DESCRIPTION	QTY.	REV.
2B (cont'd)		Breaker, Circuit Options:	1	
	4360542	110V Breaker, Circuit		
	70000126	220V Breaker, Circuit		
	7020191	Switch, Toggle	1	
	2920162	Lamp	1	
	4460190	Receptacle, Double (110V Box)	2	
	70000124	Receptacle, Double (220V Box)	1	
2C	70000125	Receptacle, Single (220V Box)	1	
		Voltmeter Options:	1	
	2420203	110Volt 60Hz Voltmeter		
2D	7020192	220Volt 50Hz Voltmeter		
		Pulley Options:	1	
3	3580134	Generator p/n's 2460011 & 2460013		
	3580276	Generator p/n 2460032		
	7027887	Key, Woodruff		
4		Bracket, Generator Mounting	AR	
	4845531	800A/AJ Models (Prior to SN 0300064432)	1	
5	Not Required	800A/AJ Models (SN 0300064432 to SN 0300069000) (Note: Generator Mount & Engine Mount are one Component)	0	
		Arm, Adjusting Options:	1	
	0200530	800A/AJ Models (Prior to SN 0300064432)		
6	0200741	800A/AJ Models (SN 0300064432 to SN 0300068269)		
	0200742	800A/AJ Models (SN 0300068269 to SN 0300069000)		
7		V-Belt Options:	1	
		110Volt Generator:		
	0480050	800A/AJ Models (Prior to SN 0300064432)		
	0480119	800A/AJ Models (SN 0300064432 to SN 0300066053)		
	0480111	800A/AJ Models (SN 0300066053 to SN 0300068269)		
	0480121	800A/AJ Models (SN 0300068269 to SN 0300069000)		
		220Volt Generator:		
	0480050	800A/AJ Models (Prior to SN 0300064432)		
	0480119	800A/AJ Models (SN 0300064432 to SN 0300066053)		
	0480050	800A/AJ Models (SN 0300066053 to SN 0300066742)		
	0480118	800A/AJ Models (SN 0300066742 to SN 0300068270)		
	0480121	800A/AJ Models (SN 0300068270 to SN 0300069000)		
8	0711414	Bolt M14 x 30mm (Prior to SN 0300068269)	2	
9		Hardware Options:	AR	
	4751900	Flatwasher 9/16in (Prior to SN 0300068269)	2	
	0641610	Bolt 3/8in-16NC x 1-1/4in (SN 0300068269 to SN 0300069000)	1	
10	0100011	Compound, Locking	AR	

SECTION 2 TURNTABLE

FIGURE 2-11. GENERATOR INSTALLATION - DEUTZ MACHINES (OPTIONAL) (CONTINUED)

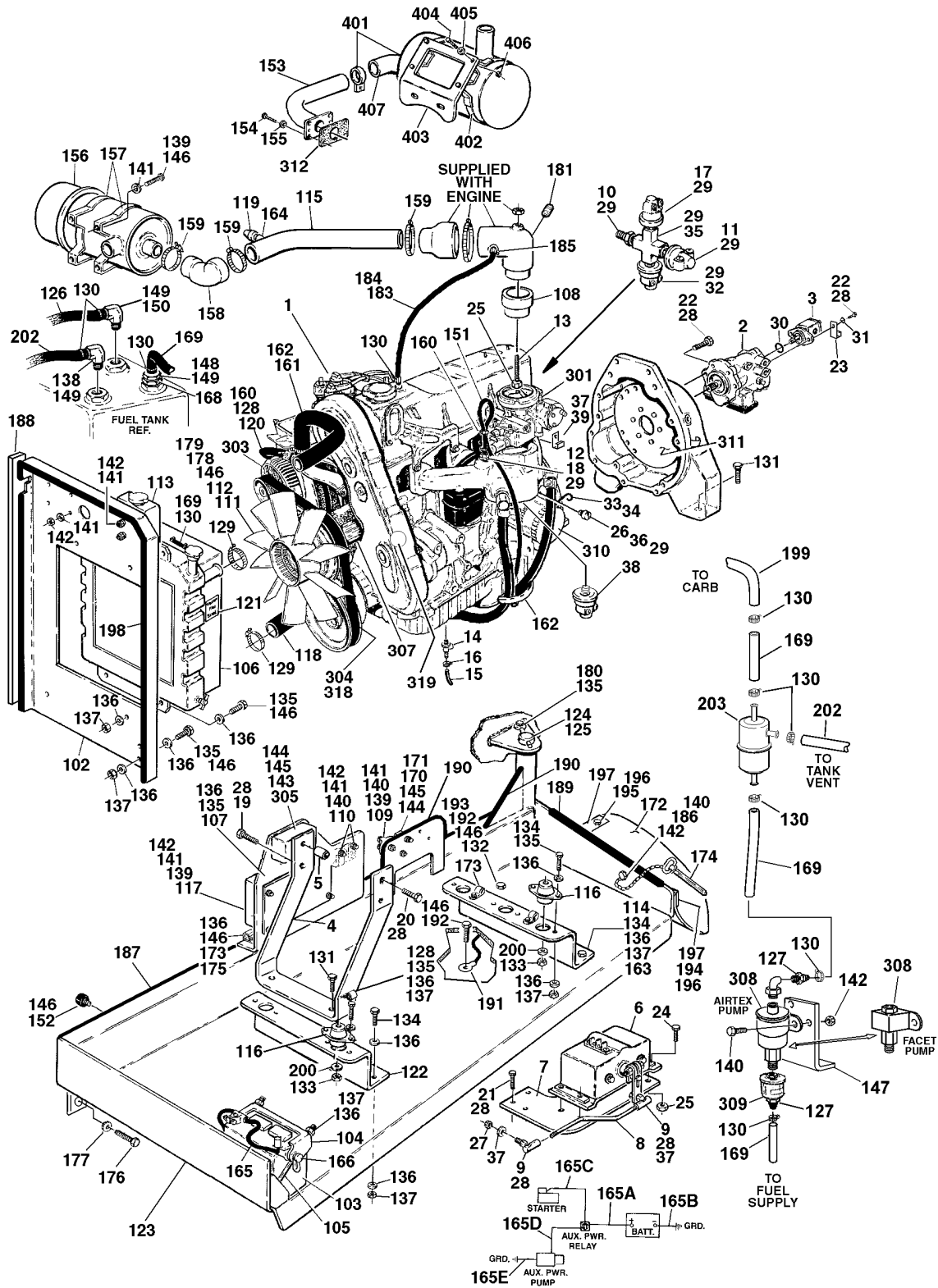
FIG & ITEM #	PART NUMBER	DESCRIPTION	QTY.	REV.
9		Bolt Options:	AR	
	0681612	Bolt 3/8in-16NC x 1-1/2in (Grade 8) (Prior to SN 0300068269)	3	
	0641772	Bolt 7/16in-14NC x 9in (SN 0300068269 to SN 0300069000)	1	
10	4751600	Flatwasher 3/8in	6	
11	2860012	Key, Woodruff	1	
12	3311605	Locknut 3/8in-16NC	1	
13		Hardware Options:	1	
	0700819	Bolt M8 x 55mm (Prior to SN 0300068269)		
	3311705	Locknut 7/16-14NC (SN 0300068269 to SN 0300069000)		
14	3740080	Relay	1	
15	4460023	Connector, Strain Relief	1	
16	0641508	Bolt 5/16in-18NC x 1in	1	
17	4751500	Flatwasher 5/16in	2	
18	Not Used			
19	3520028	Plug, Hole	1	
20	0721006	Bolt #10-24NC x 3/4in	4	
21	3311005	Locknut #10-24NC	4	
22	4751000	Flatwasher #10	9	
23	4360294	Breaker, Circuit - 30 Amp	1	
24	Not Used			
25	4360336	Switch, Toggle (Not Shown - Located at Platform)	1	
26	4740397	Bushing (Not Shown - Located at Platform)	1	
27	4060802	Guard, Switch (Not Shown - Located at Platform)	1	
28	Not Used			
29	2820031	Heatshrink (Not Shown - Located at Platform)	4in/10cm	
30	3251102	Decal (Not Shown - Located at Platform)	1	

SECTION 2 TURNTABLE

SECTION 2 TURNTABLE

FIGURE 2-12. FORD ENGINE WITH CARBURETOR INSTALLATIONS (PRIOR TO SN 0300048538)

SECTION 2 TURNTABLE



SECTION 2 TURNTABLE

FIGURE 2-12. FORD ENGINE WITH CARBURETOR INSTALLATIONS (PRIOR TO SN 0300048538)

FIG & ITEM #	PART NUMBER	DESCRIPTION	QTY.	REV.
		ENGINE ASSEMBLIES	Ref	
	0258402	Standard Gas Machines Built Prior to SN 0300039829	Ref	1/A
	0258931	Standard Gas Machines Built SN 0300039829 to SN 0300048538	Ref	2/A
1		Engine - Ford LRG-425 Options:	1	
	2000156	Prior to SN 0300039829		
	2000160	SN 0300039829 to SN 0300048538		
2		Piston Pump Assembly Options (See PISTON PUMP ASSEMBLY or Breakdown):	1	
	Use 3600295	Prior to SN 0300042829 (was p/n 3600277)		
	3600295	SN 0300042829 to SN 0300048538		
3	3600278	Piston Pump Assembly	1	
	7018995	Seal Kit - 3600278 Motor	1	
	7024918	Seal, Shaft		
	7024930	Valve Assembly - 3600278 Motor	1	
4	3539972	Plate, Engine Mounting - Front	1	
5	4566605	Tube, Spacer	1	
6	2500005	Actuator, Precision Governor	1	
7	0902088	Bracket, Precision Governor	1	
8	3841255	Rod, Throttle	1	
9	1660157	Coupling, Ball joint	2	
10	2220437	Fitting, Reducer	1	
11	4360037	Switch, Oil Pressure	1	
12	2220273	Fitting, Reducer	1	
13	4300056	Stud, Carburetor	1	
14	4640989	Valve, Oil Drain	1	
15	2750532	Hose	6in/21cm	
16	1320022	Clamp	2	
17	4360405	Switch, Oil Pressure	1	
18	2180536	Fitting, Barbed	1	
19	0701022	Bolt M10 x 70mm	2	
20	0701014	Bolt M10 x 30mm	2	
21	0700810	Bolt M8 x 20mm	3	
22	0641812	Bolt 1/2in-13NC x 1-1/2in	4	
23	1320222	J-Clip	1	
24	0641408	Bolt 1/4in-20NC x 1in	4	
25	3311405	Locknut 1/4in-20NC	5	
26	2220250	Fitting, Reducer	1	
27	3321401	Nut 1/4in-28NF	2	
28	0100011	Compound, Locking	AR	
29	0100020	Sealant, Pipe	AR	
30	3790152	O-Ring	1	
31	4891800	Washer, Hardened 1/2in	2	
32	4360065	Switch, Oil Pressure	1	
33	4564281	Tube, Dipstick	1	
34	2420187	Dipstick	1	
35	2220994	Fitting, Cross	1	

SECTION 2 TURNTABLE

SECTION 2 TURNTABLE

**FIGURE 2-12. FORD ENGINE WITH CARBURETOR INSTALLATIONS (PRIOR TO SN 0300048538)
(CONTINUED)**

FIG & ITEM #	PART NUMBER	DESCRIPTION	QTY.	REV.
36	4360157	Switch, Water Temperature	1	
37	4751000	Flatwasher #10	2	
38	4360455	Switch, Temperature	1	
39	1320223	Clamp, J-Clip	2	
		ENGINE INSTALLATIONS	Ref	
	0258403	Standard Gas Machines Built Prior to SN 0300039829	Ref	1/A
	0258930	Standard Gas Machines Built SN 0300039829 to SN 0300048538	Ref	1/A
101	Not Used			
102	3539872	Mount, Radiator	1	
103	0400075	Battery	1	
104	0181727	Tie-Down	1	
105	0630498	Bolt, Tie-Down	2	
106	3620040	Radiator	1	
	Use 8180311	Cap, Radiator (was p/n 7019656)	1	
107	3538873	Bracket, Controller	1	
108	0080091	Choke Adapter	1	
109	3740067	Relay, Auxiliary Power Relay	1	
110	3740080	Relay, Bosch Relay	2	
111	0080214	Adapter, Fan Spacer	1	
112	2060025	Fan, Suction	1	
113	1580011	Container, Coolant Overflow Container	1	
114	3570133	Plate, Engine Mount-Ford (Rear)	1	
115	4845035	Tube, Air Cleaner	1	
116	3200362	Mount, Rubber	4	
117	1600211	Controller, Governor	1	
118	2720435	Hose, Lower Radiator (Lower)	1	
119	4360392	Switch, Restriction Indicator Switch	1	
120	4100025	Sleeve, Fiberglass 2in	18in/46cm	
121	1703162	Decal - Fan Blade	2	
122	3570103	Plate, Engine Mount (Front)	1	
123	4845404	Tray, Engine	1	
124	3422446	Pin, Pivot	1	
125	3841143	Pin, Keeper	1	
126	2750532	Hose	5ft/1.5m	
127	2220315	Fitting, Barbed	2	
128	1320060	Clamp, Hose - 0.625	2	
129	1320012	Clamp, Hose, Radiator	4	
130	1320022	Clamp, Hose	14	
131	0641828	Bolt 1/2in-13NC x 3-1/2in	4	
132	4751800	Flatwasher 1/2in	1	
133	3311805	Hex Nut 1/2in - 13UNC	4	
134	0641610	Bolt 3/8in-16NC x 1-1/4in	10	
135	0641608	Bolt 3/8in-16NC x 1in	24	
136	4751600	Flatwasher 3/8in	55	
137	3311605	Locknut 3/8in-16UNC	31	

SECTION 2 TURNTABLE

SECTION 2 TURNTABLE

**FIGURE 2-12. FORD ENGINE WITH CARBURETOR INSTALLATIONS (PRIOR TO SN 0300048538)
(CONTINUED)**

FIG & ITEM #	PART NUMBER	DESCRIPTION	QTY.	REV.
138		Fitting Options:	1	
	2200233	Plug, Pipe 3/8in (Prior to SN 0300039829) (Not Shown)		
	2200317	Fitting, Barbed (SN 0300039829 to SN 0300048538)		
139	0641408	Bolt 1/4in-20NC x 1in	10	
140	0641406	Bolt 1/4in-20NC x 3/4in	9	
141	4751400	Flatwasher 1/4in	20	
142	3311405	Locknut 1/4in x 20UNC	19	
143	0721006	Bolt #10-24NC x 3/4in	4	
144	4751000	Flatwasher #10	4	
145	3311005	Hex Nut #10-24NC	4	
146	0100011	Compound, Locking	AR	
147	3570104	Plate, Fuel Pump	1	
148	2220270	Fitting, Barbed	1	
149	0100020	Sealant, Pipe	AR	
150	2180467	Fitting, Elbow Barbed	1	
151	2720271	Vacuum Hose 3/16in	4.5ft/1.4m	
152	0940070	Bumper, Rubber	1	
153	4567071	Tube, Exhaust	1	
154	0701012	Bolt M10 x 25mm	4	
155	4832000	Lockwasher	4	
156	1340060	Air Cleaner Assembly	1	
	7012664	Filter, Air Cleaner	1	
157	0340041	Band, Muffler/Air Cleaner	2	
158	0080201	Fitting, Elbow Reducing	1	
159	1320016	Clamp, Worm Gear	3	
160	4240033	Strap, Tie	5	
161	2720436	Hose, Radiator (Upper)	1	
162	4240099	Strap, Tie	3	
163	4791600	Starlock 3/8in	4	
164	2180798	Fitting, Restriction Indicator	4	
165	2901608	Battery Cable Kit	1	
165A	7016800	Cable, Battery (Red)	1	
165B	7016807	Cable, Battery (Black)	1	
165C	7016808	Cable (Red)	1	
165D	7016824	Cable (Red)	1	
165E	7016825	Cable (Black)	1	
166	4460611	Terminal, Battery Jumper Post	1	
167	2220250	Fitting, Reducer	1	
168	2220273	Fitting, Reducer	1	
169	2720058	Hose 5/16in	12.8ft/4m	
170	0721004	Bolt #10-24NC x 1/2in	2	
171	4360294	Breaker, Circuit-30 AMP	1	
172	3380429	Panel, Rubber	1	
173	1320223	Clamp, "J" Clip 1/2in	4	
174	3422532	Pin, Hitch	1	
175	0641606	Bolt 3/8in-16NC x 3/4in	3	
176	0642010	Bolt 5/8in-11NC x 1-1/4in	1	
177	4752000	Flatwasher 5/8in	1	
178	0700819	Bolt M8 x 1.25 x 55mm	4	

SECTION 2 TURNTABLE

**FIGURE 2-12. FORD ENGINE WITH CARBURETOR INSTALLATIONS (PRIOR TO SN 0300048538)
(CONTINUED)**

FIG & ITEM #	PART NUMBER	DESCRIPTION	QTY.	REV.
179	4831900	Lockwasher M8	4	
180	0961986	Bearing, Flange	2	
181	2200221	Plug, Pipe	1	
182	1701542	Decal - Gasoline (Not Shown - Located Near Tank)	1	
183	2720160	Hose	18in/46cm	
184	4562516	Tube	1in/3cm	
185	1320032	Clamp, Hose	1	
186	4711400	Flatwasher, 1/4in	1	
187	3960468	Seal, Foam	1	
188	3960469	Seal, Foam	1	
189	4060806	Flex-Trim	16in/41cm	
190	4060804	Flex-Trim	19in/49cm	
191	1060637	Cable, Lanyard	1	
192	1641808	Bolt 1/2in-13NC x 1in	2	
193	3311801	Hex Nut 1/2in-13 UNC	1	
194	0641508	Bolt 5/16in-18NC x 1in	3	
195	0641514	Bolt 5/16in-18NC x 1-3/4in	3	
196	3311505	Locknut 5/16in-18UNC	6	
197	3539957	Plate, Hold Down	2	
198	3960389	Seal	5ft/1.5m	
199		Tube, Fuel Line Options:	1	
	4567169	Prior to SN 0300039829		
	4567730	SN 0300039829 to SN 0300048538		
200	4740274	Washer, Snubbing	4	
201	3841340	Loop, Hose (Not Shown - Located at Center of T/T)	3	
202	2720015	Hose	12ft/3.66m	
203	2120169	Filter, By-Pass	1	
		ENGINE COMPONENTS	Ref	
	2000156	Prior to SN 0300039829	Ref	
	2000160	SN 0300039829 to SN 0300048538	Ref	
301	Use 7019988	Carburetor (was p/n 7019974 - Prior to SN 0300039829)	1	
	7019933	Carburetor Kit	1	
	7027292	Float Assembly	1	
	70000163	Needle, Spring Loaded (Fuel Valve)	1	
	7025122	Base, Carburetor	1	
	7016605	Choke, Automatic	1	
	70000646	Gasket, Carburetor (Bottom) (was p/n 7019975)	1	
	7024321	Gasket, Carburetor (Top)	1	
302	Use 7012679	Starter (was p/n 7019986 - Prior to SN 0300039829) (Not Shown)	1	
303	7019977	Alternator with Pulley & Regulator	1	
303	7000897	Alternator without Pulley & Regulator	1	
	7019997	Regulator	1	
304	Use 7027402	Belt, Drive (was p/n 7019979)	1	
305	Use 7023687	Module, Ignition (was p/n 7019961)	1	
306	7019980	Harness, Engine Wiring (Not Shown)	1	

SECTION 2 TURNTABLE

SECTION 2 TURNTABLE

**FIGURE 2-12. FORD ENGINE WITH CARBURETOR INSTALLATIONS (PRIOR TO SN 0300048538)
(CONTINUED)**

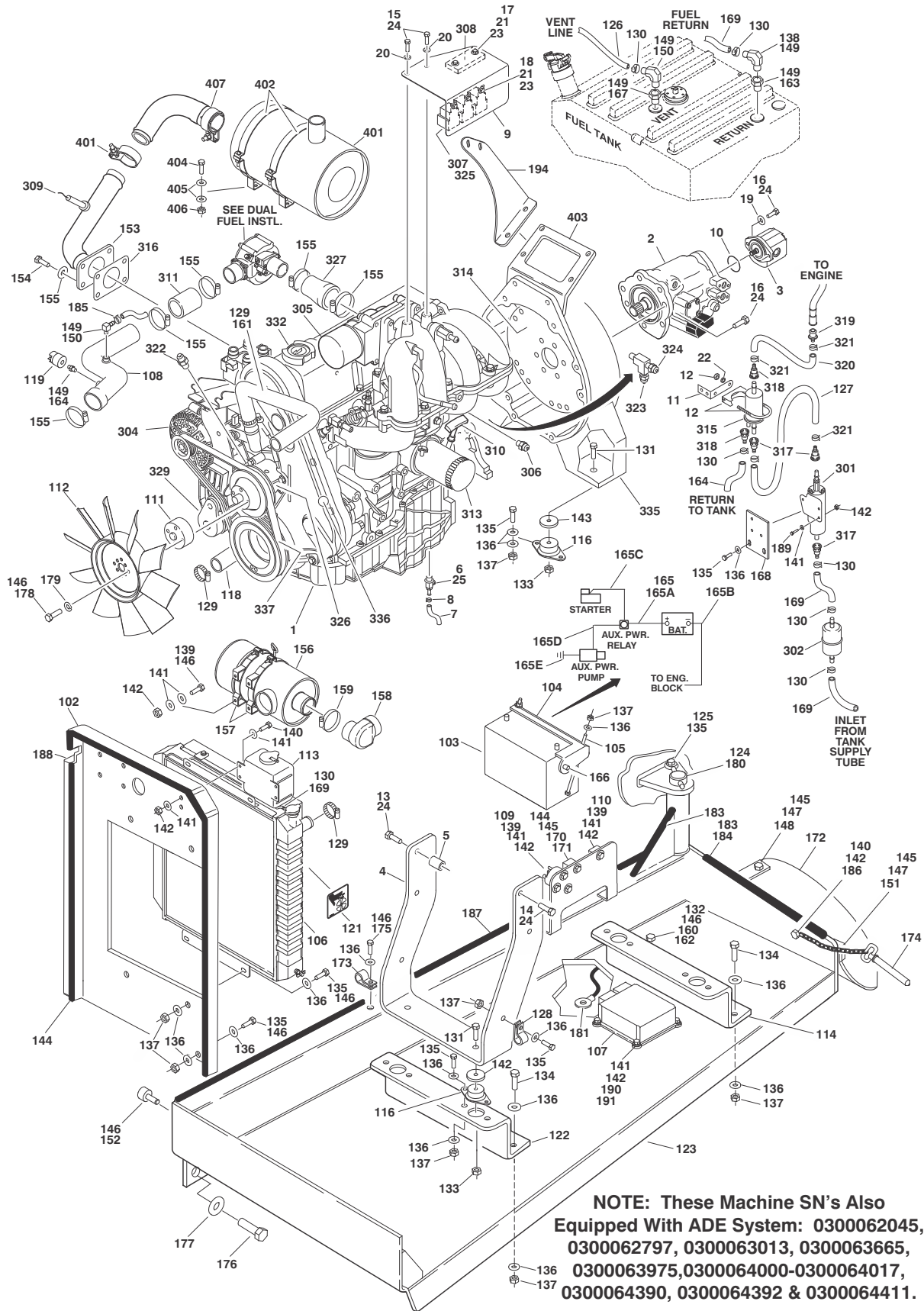
FIG & ITEM #	PART NUMBER	DESCRIPTION	QTY.	REV.
307	7022153	Water Pump Assembly	1	
	7019985	Pulley, Water Pump	1	
	7019982	Tube, Water Pump Inlet	1	
	7022156	Thermostat	1	
308		Fuel Pump Assembly Options:	1	
	7016600	Prior to SN 0300039829 (Facet)		
	7019983	SN 0300039829 to SN 0300048538 (Airtex)		
309	7016601	Strainer, Fuel	1	
310	7011868	Filter, Oil (was p/ns 7011869 & 7014501)	1	
311	7019976	Flywheel	1	
	7022180	Ring Gear	1	
	Use 1660250	Coupling, Pump (15 Tooth) (was p/n 7016662)	1	
	7020120	Bell Housing	1	
312	70002307	Gasket, Exhaust (Manifold to Pipe)	1	
	7022143	Gasket, Exhaust (Manifold to Cylinder Head - Not Shown)	1	
	7019924	Manifold, Exhaust (Not Shown)	1	
313	7025126	Manifold, Intake (was p/n 7019923)	1	
	7025125	Gasket, Intake (Manifold to Cylinder Head)	1	
314	7000884	Solenoid, Fuel (Not Shown)	1	
315	7022151	Cap, Oil Fill	1	
316		Spark Plug Options (Not Shown):	4	
	See Note	Prior to SN 0300039829 (2000156 Engine Only) (Note: Not Available - Purchase Locally.)		
	7019932	SN 0300039829 to SN 0300048538 (2000160 Engine Only)		
		Wire Set, Spark Plug (Not Shown) Options:	1	
	7022157	Prior to SN 0300039829 (2000156 Engine Only)		
	7019931	SN 0300039829 to SN 0300048538 (2000160 Engine Only)		
	7019930	Coil, Ignition	1	
317	7022178	Sensor, Crank (Not Shown)	1	
318	7019978	Tensioner, Belt	1	
319	7022150	Belt, Timing (2000160 Engine Only)	1	
		MUFFLER INSTALLATIONS	Ref	
	0258390	Standard Spark Arresting	Ref	1
	0258391	Optional Catalytic	Ref	1
401		Muffler Options:	1	
	3220113	Standard Spark Arresting		
	3220114	Optional Catalytic		
402	0340046	Band	2	
403	0902309	Bracket, Muffler	1	
404	0641507	Bolt 5/16in-18NC x 7/8in	4	
405	4711500	Flatwasher 5/16in Narrow	8	
406	3311505	Locknut 5/16in-18NC	4	
407	4567073	Tube, Exhaust	1	

SECTION 2 TURNTABLE

SECTION 2 TURNTABLE

FIGURE 2-13. FORD ENGINE WITH EFI INSTALLATIONS (SN 0300048538 TO SN 0300069000)

SECTION 2 TURNTABLE



SECTION 2 TURNTABLE

FIGURE 2-13. FORD ENGINE WITH EFI INSTALLATIONS (SN 0300048538 TO SN 0300069000)

FIG & ITEM #	PART NUMBER	DESCRIPTION	QTY.	REV.
		NOTE: THESE MACHINE SN'S ALSO EQUIPPED WITH ADE SYSTEM: 0300062045, 0300062797, 0300063013, 0300063665, 0300063975, 0300064000-0300064017, 0300064390, 0300064392 & 0300064411.	Ref	
		ENGINE ASSEMBLIES	Ref	
	0259476	Standard (SN 0300048538 to SN 0300064432)	Ref	1/A
	0271368	Standard (With ADE System) (SN 0300064432 to SN 0300069000)	Ref	2/A
	0259478	Dual Fuel (SN 0300048538 to SN 0300064432)	Ref	1/A
	0271364	Dual Fuel (With ADE System) (SN 0300064432 to SN 0300069000)	Ref	2/A
1		Engine - Ford LRG-425 EFI Options:	1	
	2000164	Standard		
	2000172	Standard (With ADE System)		
	2000166	Dual Fuel		
	2000174	Dual Fuel (With ADE System)		
2	3600295	Piston Pump Assembly (See PISTON PUMP ASSEMBLY for Breakdown)	1	
3	3600278	Gear Pump Assembly	1	
	7018995	Seal Kit - 3600278 Motor	1	
	7024918	Seal, Shaft		
	7024930	Valve Assembly - 3600278 Motor	1	
4	3539972	Plate, Engine Mounting - Front	1	
5	4566605	Tube, Spacer	1	
6	4640989	Valve, Oil Drain	1	
7	2750532	Hose	6in/21cm	
8	1320022	Clamp	1	
9	3571498	Plate, Module Mounting	1	
10		O-Ring Options:	1	
	3790152	SN 0300048538 to SN 0300067812		
	3790044	SN 0300067812 to SN 0300069000		
11	0902539	Bracket	1	
12	1320019	Clamp	1	
13	0701022	Bolt M10 x 70mm	2	
14	0701014	Bolt M10 x 30mm	2	
15	0700810	Bolt M8 x 20mm	3	
16	0641812	Bolt 1/2in-13NC x 1-1/2in	4	
17	0721014	Screw #10-24NC x 1-3/4in	2	
18	0721006	Screw #10-24NC x 3/4in	3	
19	4891800	Washer, Hardened 1/2in	2	
20	4751500	Flatwasher 5/16in	2	
21	4751000	Flatwasher #10	8	
22	4761500	Lockwasher 5/16in	2	
23	3311005	Locknut #10-24NC	5	
24	0100011	Compound, Locking	AR	
25	0100020	Sealant, Pipe	AR	

SECTION 2 TURNTABLE

**FIGURE 2-13. FORD ENGINE WITH EFI INSTALLATIONS (SN 0300048538 TO SN 0300069000)
(CONTINUED)**

FIG & ITEM #	PART NUMBER	DESCRIPTION	QTY.	REV.
		ENGINE INSTALLATIONS	Ref	
	0259477	Standard	Ref	5/E
	0271367	Standard (With ADE System)	Ref	3/C
	0259479	Dual Fuel	Ref	6/F
	0271366	Dual Fuel (With ADE System)	Ref	1/A
101	Not Used			
102	3539872	Mount, Radiator	1	
103	0400075	Battery	1	
104	0181727	Tie-Down	1	
105	0630498	Bolt, Tie-Down	2	
106	3620040	Radiator	1	
	Use 8180311	Cap, Radiator (was p/n 7019656)	1	
107		ECM 800A, Controller Options:	1	
	1600298	Standard		
	1600314	With ADE System		
108	4846011	Weldment, Air Intake Tube	1	
109	3740067	Relay, Auxiliary Power Relay	1	
110		Relay, Bosch Relay Options:	2	
	3740080	Standard		
	Not Required	With ADE System		
111	0080214	Adapter, Fan Spacer	1	
112	2060025	Fan, Suction	1	
113	1580011	Container, Coolant Overflow Container	1	
114	3570133	Plate, Engine Mount-Ford (Rear)	1	
115	Not Used			
116	3200362	Mount, Rubber	4	
117	Not Used			
118	2720435	Hose, Lower Radiator (Lower)	1	
119	4360392	Switch, Restriction Indicator Switch	1	
120	3841340	Hose Loop (Not Shown Located inside turntable)	2	
121	1703162	Decal - Fan Blade	2	
122	3570103	Plate, Engine Mount (Front)	1	
123	4845404	Tray, Engine	1	
124	3422446	Pin, Pivot	1	
125	3841143	Pin, Keeper	1	
126	2750532	Hose	5ft/1.5m	
127	2720472	Hose	1	
128	1320060	Clamp, Hose - 0.625	1	
129	1320012	Clamp, Hose, Radiator	4	
130	1320022	Clamp, Hose	9	
131	0641828	Bolt 1/2in-13NC x 3-1/2in	4	
132	4751800	Flatwasher 1/2in	1	
133	3311805	Hex Nut 1/2in - 13UNC	4	
134	0641610	Bolt 3/8in-16NC x 1-1/4in	8	
135	0641608	Bolt 3/8in-16NC x 1in	22	
136	4751600	Flatwasher 3/8in	55	
137	3311605	Locknut 3/8in-16UNC	31	
138	2220805	Fitting	1	

SECTION 2 TURNTABLE

SECTION 2 TURNTABLE

**FIGURE 2-13. FORD ENGINE WITH EFI INSTALLATIONS (SN 0300048538 TO SN 0300069000)
(CONTINUED)**

FIG & ITEM #	PART NUMBER	DESCRIPTION	QTY.	REV.
139	0641408	Bolt 1/4in-20NC x 1in	4	
140	0641406	Bolt 1/4in-20NC x 3/4in	5	
141	4751400	Flatwasher 1/4in	16	
142	3311405	Locknut 1/4in x 20UNC	13	
143	4740274	Washer, Snubbing	4	
144	3960389	Seal	5ft/1.52m	
145	3539957	Plate, Hold Down	2	
146	0100011	Compound, Locking	AR	
147	3311505	Hex Nut 5/16in-18NC	6	
148	3900272	Bolt 5/16in-18NC x 1-3/4in	3	
149	0100020	Sealant, Pipe	AR	
150	2180467	Fitting, Elbow Barbed	2	
151	0641508	Bolt 5/16in-18NC x 1in	3	
152	0940070	Bumper, Rubber	1	
153	4567879	Tube, Exhaust	1	
154	0701012	Bolt M10 x 25mm	4	
155	4832000	Lockwasher	4	
156	1340060	Air Cleaner Assembly	1	
	7012664	Filter, Air Cleaner	1	
157	0340041	Band, Muffler/Air Cleaner	2	
158	0080201	Fitting, Elbow Reducing	1	
159	1320016	Clamp, Worm Gear	2	
160	3311801	Hex Nut 1/2in-13 UNC	1	
161	2720436	Hose, Radiator (Upper)	1	
162	1641808	Bolt 1/2in-13NC x 1in	2	
163		Fitting, Reducer Options:	1	
	2220273	Standard		
	2220430	With ADE System		
164	2180798	Fitting, Restriction Indicator	4	
165	2901608	Battery Cable Kit	1	
165A	7016800	Cable, Battery (Red)	1	
165B	7016807	Cable, Battery (Black)	1	
165C	7016808	Cable (Red)	1	
165D	7016824	Cable (Red)	1	
165E	7016825	Cable (Black)	1	
166	4460611	Terminal, Battery Jumper Post	1	
167	2220250	Fitting, Reducer	1	
168	3572414	Plate, Pump Mounting	1	
169	2720058	Hose 5/16in	12ft/3.7m	
170		Bolt #10-24NC x 1/2in Options:	2	
	0721004	Standard		
	Not Required	With ADE System		
171		Breaker, Circuit-30 AMP Options:	1	
	4360294	Standard		
	Not Required	With ADE System		
172	3380429	Panel, Rubber	1	
173	1320223	Clamp, "J" Clip 1/2in	4	
174	3422532	Pin, Hitch	1	
175	0641606	Bolt 3/8in-16NC x 3/4in	3	

SECTION 2 TURNTABLE

**FIGURE 2-13. FORD ENGINE WITH EFI INSTALLATIONS (SN 0300048538 TO SN 0300069000)
(CONTINUED)**

FIG & ITEM #	PART NUMBER	DESCRIPTION	QTY.	REV.
176	0642010	Bolt 5/8in-11NC x 1-1/4in	1	
177	4752000	Flatwasher 5/8in	1	
178	0700819	Bolt M8 x 55mm	4	
179	4831900	Lockwasher M8	4	
180	0961986	Bearing, Flange	2	
181	1060637	Cable, Lanyard	1	
182	1701542	Decal - Gasoline (Not Shown - Located Near Tank)	1	
183	4060804	Flex-Trim	2.9ft/0.88m	
184	4060806	Flex-Trim (SN 0300048538 to SN 0300067812)	16in/41cm	
185	1320032	Clamp, Hose	2	
186	4711400	Flatwasher, 1/4in	1	
187	3960468	Seal, Foam	1	
188	3960469	Seal, Foam	1	
189	0641410	Bolt 1/4in-20NC x 1-1/4in	3	
190	4568158	Standoff 1/4in x 2in	4	
191	0641424	Bolt 1/4in-20NC x 3in	4	
192 to 193	Not Used			
194	0902572	Bracket, LP Mounting (Dual Fuel Machines Only)	1	
195 to 200	Not Used			
		ENGINE COMPONENTS	Ref	
	2000164/2000166	SN 0300048538 to SN 0300064432	Ref	
	2000172/2000174	SN 0300064432 to SN 0300069000	Ref	
301	3600377	Fuel Pump & Isolator Assembly (was p/n 7022133)	1	
	7022134	Harness, Fuel Pump Wiring	1	
302	91083218	Filter, Fuel (was p/n 7022135)	1	
303	7019986	Starter (Not Shown)	1	
304	7019977	Alternator with Pulley & Regulator	1	
	7000897	Alternator without Pulley & Regulator	1	
305		Actuator, Throttle Options:	1	
	7022136	Actuator, Throttle (SN 0300048538 to SN 0300064432)		
	7023655	Actuator, Throttle (SN 0300064432 to SN 0300069000)		
	7023652	Plate, Actuator Adapter	1	
	7023654	Gasket, Actuator to Adapter Plate	1	
	7023653	Bolt (Adapter Plate to Intake Manifold)	2	
	7023656	Bolt (Actuator to Adapter Plate)	4	
306	7019996	Sensor, Air Temperature (was p/n 7023661)	1	
	7023662	Bracket, Air Temperature Sensor	1	
307	7023663	Harness, ECM (was p/n 7022137)	1	
308	7022139	Sensor, MAP	1	
309	7019994	Sensor, EGR	1	
310	2420187	Dipstick	1	
	4564281	Tube, Dipstick	1	
311		Horn, Rubber Air Options:	1	
	2720341	SN 0300048538 to SN 0300064432		
	7023658	SN 0300064432 to SN 0300069000		

SECTION 2 TURNTABLE

**FIGURE 2-13. FORD ENGINE WITH EFI INSTALLATIONS (SN 0300048538 TO SN 0300069000)
(CONTINUED)**

FIG & ITEM #	PART NUMBER	DESCRIPTION	QTY.	REV.
312	7023637	Switch, Oil Pressure	1	
313	7021868	Filter, Oil (was p/n7022147, 7021869 & 7014501)	1	
314	1660250	Coupling, Pump (was p/n 7016662)	1	
	7019976	Flywheel	1	
	7022180	Ring Gear	1	
315	7019993	Pressure Regulator & Filter Assembly	1	
316	70002307	Gasket, Exhaust (Manifold to Pipe)	1	
	7022143	Gasket, Exhaust (Manifold to Cylinder Head) (Not Shown)	1	
317	7022158	Connector	3	
318	7022159	Connector	2	
319	7022160	Connector	1	
320	7022161	Tube, Supply	2	
321	7022162	Clamp	2	
322	7022178	Sensor, Crank	1	
323	7022142	Switch, Pressure (Black) (SN 0300048538 to SN 0300064432 Only)	1	
324	7023637	Switch, Shutdown (White) (SN 0300048538 to SN 0300064432 Only)	1	
325	7023613	Relay	3	
326	7022153	Pump, Water	1	
	7022154	Gasket, Water Pump	1	
	7022155	Sensor, Water Temperature (Not Shown)	1	
	7027411	Sender, Water (2000174 Engine Only) (Not Shown)	1	
	7022164	Sensor, High Coolant Temperature (2000166 Engine Only) (Not Shown)	1	
	7022156	Thermostat (Not Shown)	1	
	7023644	Hose, Water Pump (By-Pass) (Not Shown)	1	
327	2720341	Horn, Rubber Air	1	
328	Not Used			
329	70002567	Tensioner, Belt	1	
330	7019925	PCV Valve (Not Shown)	1	
331	7019930	Coil, Ignition (Not Shown)	1	
	7022157	Wire Set, Spark Plug (Not Shown)	1	
	7019932	Spark Plug (was p/n 7012595)	4	
332	7022151	Cap, Oil Fill	1	
333	7022149	Gasket Kit, Lower Manifold (Not Shown)	1	
	7025124	Gasket Kit, Upper Manifold (was p/n 7022148) (Not Shown)	1	
	7022144	Gasket, Upper Manifold Throttle (Not Shown)	1	
334	7023657	Harness, TPS Harness (Not Shown)	1	
335	7020120	Housing, Bell (2000166 Engine Only)	1	
336	7022150	Belt, Timing	1	
337	7027402	Belt, Drive (was p/n 7019979)	1	
338	7022152	Injector, Fuel (Not Shown)	4	
		-----	1	
	3124114	Service Manual, Ford EFI System Diagnostic	1	

SECTION 2 TURNTABLE

SECTION 2 TURNTABLE

**FIGURE 2-13. FORD ENGINE WITH EFI INSTALLATIONS (SN 0300048538 TO SN 0300069000)
(CONTINUED)**

SECTION 2 TURNTABLE

FIG & ITEM #	PART NUMBER	DESCRIPTION	QTY.	REV.
		MUFFLER INSTALLATIONS	Ref	
	0258390	Standard Spark Arresting	Ref	1
	0258391	Optional Catalytic	Ref	1
401		Muffler Options:	1	
	3220113	Standard Spark Arresting		
	3220114	Optional Catalytic		
402	0340046	Band	2	
403	0902309	Bracket, Muffler	1	
404	0641507	Bolt 5/16in-18NC x 7/8in	4	
405	4711500	Flatwasher 5/16in Narrow	8	
406	3311505	Locknut 5/16in-18NC	4	
407	4567073	Tube, Exhaust	1	

SECTION 2 TURNTABLE

FIGURE 2-13. FORD ENGINE WITH EFI INSTALLATIONS (SN 0300048538 TO SN 0300069000)
(CONTINUED)

FIG & ITEM #	PART NUMBER	DESCRIPTION	QTY.	REV.

**S
E
C
T
I
O
N

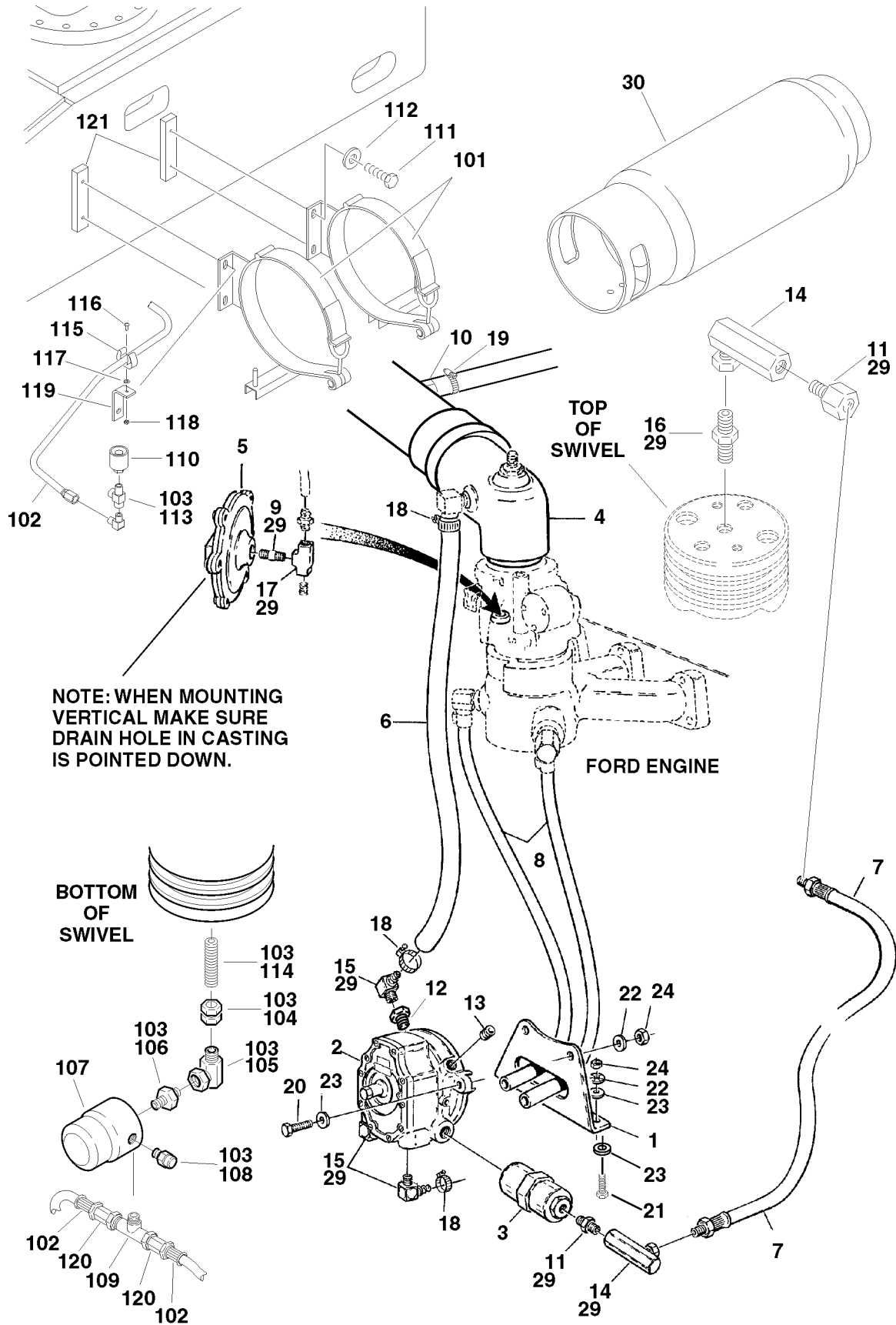
2

T
U
R
N
T
A
B
L
E**

SECTION 2 TURNTABLE

FIGURE 2-14. DUAL FUEL INSTALLATIONS (FORD MACHINE OPTION) (PRIOR TO SN 0300048538)

SECTION 2 TURNTABLE



SECTION 2 TURNTABLE

FIGURE 2-14. DUAL FUEL INSTALLATIONS (FORD MACHINE OPTION) (PRIOR TO SN 0300048538)

FIG & ITEM #	PART NUMBER	DESCRIPTION	QTY.	REV.
	0258426	DUAL FUEL INSTALLATION	Ref	1
1	0902132	Bracket, Vaporizer	1	
2	4700005	Vaporizer/Regulator	1	
	7017515	Repair Kit - 4700005	1	
3	2120077	Filter Lock	1	
4	0080124	Adapter, Carb	1	
5	4360188	Switch, Vacuum	1	
6	2720112	Hose, Vapor	3ft/.9m	
7	2720144	Hose	1	
8	2720042	Hose	30in/76cm	
9	2180104	Fitting, Nipple	1	
10	2220720	Fitting	1	
11	2180418	Fitting, LP	2	
12	2220251	Fitting, Reducer	1	
13	2200204	Plug, Pipe	1	
14	2220064	Fitting, Elbow	2	
15	2220675	Fitting, Elbow Barbed	3	
16	2220005	Fitting, Reducer	1	
17	2180360	Fitting	1	
18	1320017	Clamp	4	
19	1320022	Clamp	1	
20	0641408	Bolt 1/4in-20NC x 1in	2	
21	0641416	Bolt 1/4in-20NC x 2in	2	
22	4791400	Starwasher 1/4in	6	
23	4751400	Flatwasher 1/4in	8	
24	3311405	Locknut 1/4in-20UNC	2	
25	4360336	Toggle, SPDT (Not Shown - Located on Console Box)	1	
26	3790012	O-Ring (Not Shown - Located on Console Box)	1	
27	1701543	Decal-LPG (Not Shown - See Decal Installation)	2	
28	1700818	Decal- Liquid Withdrawal System (Not Shown - See Decal Installation)	2	
29	0100020	Sealant, Pipe	AR	
30		Tank, LP Options:	1	
	4400275	Aluminum		
	4400420	Steel		
	0255524	LP TANK AND BRACKETS INSTALLATION	Ref	6/E
101	1320220	Clamp Kit - LP	2	
102	2720144	Hose	2	
103	0100020	Sealant, Pipe	AR	
104	2221019	Fitting, Red	1	
105	2180125	Fitting - Elbow	1	
106	2220261	Fitting, Nipple	1	
107	2180388	Filter, Bulkhead	1	
108	2180389	Valve, Relief	1	
109	2180418	Fitting, Tee	1	

SECTION 2 TURNTABLE

**FIGURE 2-14. DUAL FUEL INSTALLATIONS (FORD MACHINE OPTION) (PRIOR TO SN 0300048538)
(CONTINUED)**

SECTION 2 TURNTABLE

FIG & ITEM #	PART NUMBER	DESCRIPTION	QTY.	REV.
110	2180387	Fitting, LP Tank	2	
111	0641606	Bolt 3/8in-16NC x 3/4in	8	
112	4751600	Flatwasher 3/8in	8	
113	2180418	Fitting, Straight	2	
114	2221018	Fitting, Nipple	1	
115	1320218	Clamp, Spring	2	
116	3910808	Screw, Machine #8-32NC x 1/2in	2	
117	4750800	Flatwasher #8	4	
118	3310805	Locknut #8-32NC	2	
119	0181949	Support, Angle	2	
120	2221024	Fitting, Ball Check	2	
121	0362519	Bar, Clamp	4	

SECTION 2 TURNTABLE

FIGURE 2-14. DUAL FUEL INSTALLATIONS (FORD MACHINE OPTION) (PRIOR TO SN 0300048538)
(CONTINUED)

FIG & ITEM #	PART NUMBER	DESCRIPTION	QTY.	REV.

**S
E
C
T
I
O
N

2

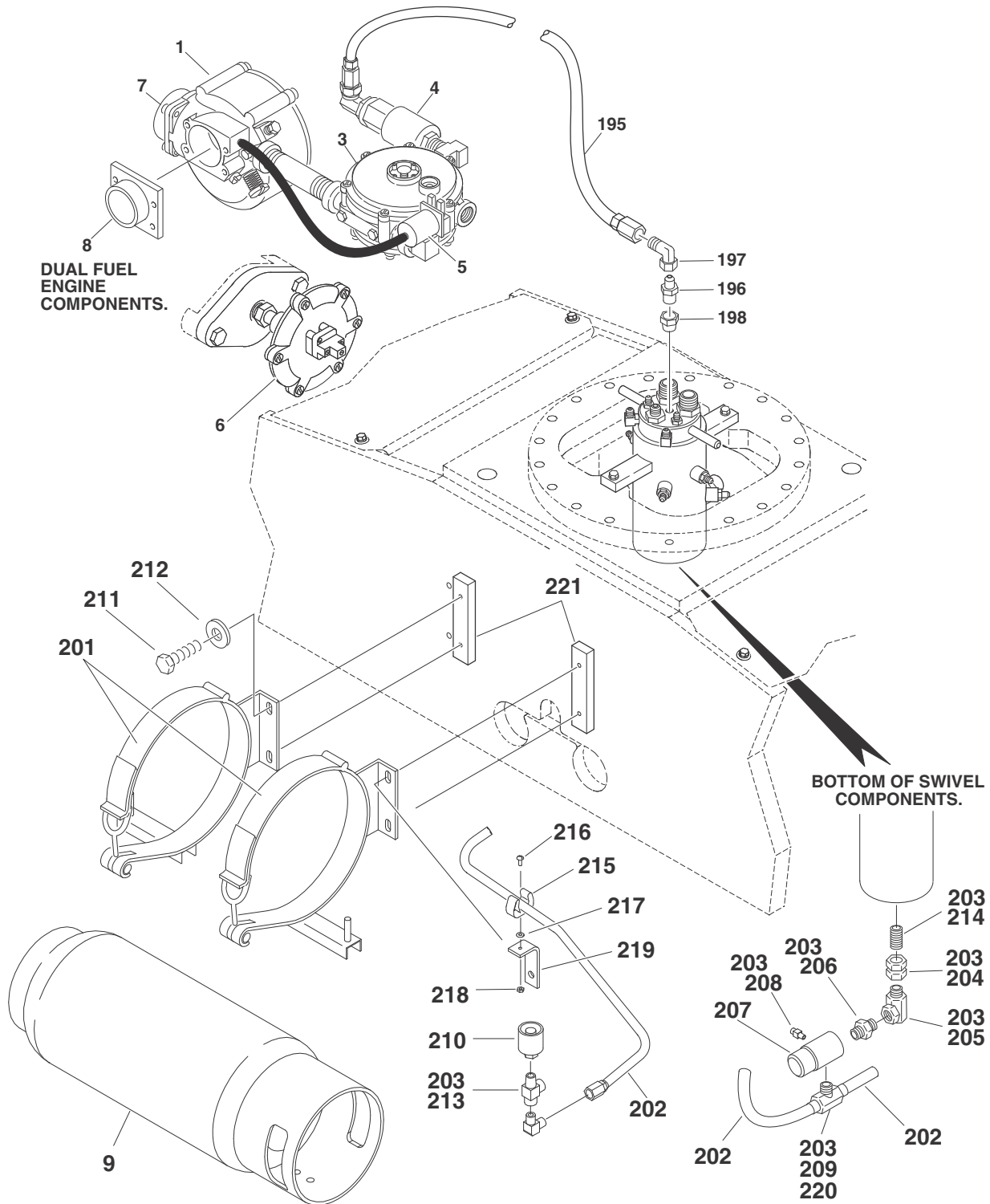
T
U
R
N
T
A
B
L
E**

SECTION 2 TURNTABLE

SECTION 2 TURNTABLE

**FIGURE 2-15. DUAL FUEL INSTALLATIONS (FORD MACHINE OPTION)
(SN 0300048538 TO SN 0300069000)**

NOTE: These Machine SN's Also Equipped With ADE System: 0300062045, 0300062797, 0300063013, 0300063665, 0300063975, 0300064000-0300064017, 0300064390, 0300064392 & 0300064411.



SECTION 2 TURNTABLE

FIGURE 2-15. DUAL FUEL INSTALLATIONS (FORD MACHINE OPTION) (SN 0300048538 TO SN 0300069000)

FIG & ITEM #	PART NUMBER	DESCRIPTION	QTY.	REV.
		NOTE: THESE MACHINE SN'S ALSO EQUIPPED WITH ADE SYSTEM: 0300062045, 0300062797, 0300063013, 0300063665, 0300063975, 0300064000-0300064017, 0300064390, 0300064392 & 0300064411.	Ref	
		DUAL FUEL ENGINE COMPONENTS	Ref	
	2000166	Without ADE System (Prior to SN 0300064432)	Ref	C
	2000174	With ADE System (SN 0300064432 to SN 0300069000)	Ref	B
	7023665	Dual Fuel Conversion Kit (Note: Includes hose, fittings, clamps and items indented below. For replacement hose, fittings and clamps supply locally.)	1	
1	7022165	Mixer	1	
	7022171	Repair Kit - 7022165 Mixer	1	
	7023645	Gasket, Mixer	1	
2	Not Used			
3	7022167	Convertor	1	
	7022170	Repair Kit - 7022167 Convertor	1	
4	Use 7023680	Filter, LP Shut-Off (was p/n 7022169)	1	
	Use 7023680	Electrical Connector Kit (No Longer Available - was p/n 7023679)	1	
5	7022168	Valve, Solenoid	1	
6	4360188	Switch, Vacuum	1	
7	7023603	Adapter	1	
	7023659	Gasket, Adapter	1	
	7023660	Screw M6 x 14mm	4	
8	7022166	Adapter	1	
9		Tank, LP Options:	1	
	4400275	Aluminum		
	4400420	Steel		
		DUAL FUEL MACHINES	Ref	
	0259479	Without ADE System (Prior to SN 0300064432)	Ref	2/B
	0271366	With ADE System (SN 0300064432 to SN 0300069000)	Ref	1/A
101 to 189	Not Used			
190	4360336	Toggle, SPDT (Not Shown - Located on Console Box)	1	
191	3790012	O-Ring (Not Shown - Located on Console Box)	1	
192	1701543	Decal-LPG (Not Shown - See Decal Installation)	2	
193	1700818	Decal- Liquid Withdrawal System (Not Shown - See Decal Installation)	2	
194	Not Used			
195	2720392	Hose	1	
196	2180418	Fitting, Straight	1	
197	2220064	Fitting, Elbow	1	
198		Fitting, Reducer Options:	1	
	2221019	Prior to SN 0300064432		
	2220005	SN 0300064432 to SN 0300069000		

SECTION 2 TURNTABLE

SECTION 2 TURNTABLE

SECTION 2 TURNTABLE

FIGURE 2-15. DUAL FUEL INSTALLATIONS (FORD MACHINE OPTION) (SN 0300048538 TO SN 0300069000) (CONTINUED)

FIG & ITEM #	PART NUMBER	DESCRIPTION	QTY.	REV.
	0255524	LP TANK AND BRACKETS INSTALLATION	Ref	7/E
201	1320220	Clamp Kit - LP	2	
	1320127	Clamp, Toggle (1 Per Clamp)	2	
202	2720144	Hose	2	
203	0100020	Sealant, Pipe	AR	
204	2221019	Fitting, Red	1	
205	2180125	Fitting - Elbow	1	
206	2220261	Fitting, Nipple	1	
207	2180388	Filter, Bulkhead	1	
208	2180389	Valve, Relief	1	
209	2180418	Fitting, Tee	1	
210	2180387	Fitting, LP Tank	2	
211	0641606	Bolt 3/8in-16NC x 3/4in	8	
212	4751600	Flatwasher 3/8in	8	
213	2220418	Fitting, Straight	2	
214	2221018	Fitting, Nipple	1	
215	1320218	Clamp, Spring	2	
216	3910808	Screw, Machine #8-32NC x 1/2in	2	
217	4750800	Flatwasher #8	4	
218	3310805	Locknut #8-32NC	2	
219	0181949	Support, Angle	2	
220	2221024	Fitting, Ball Check	2	
221	0362519	Bar, Clamp	4	

SECTION 2 TURNTABLE

FIGURE 2-15. DUAL FUEL INSTALLATIONS (FORD MACHINE OPTION) (SN 0300048538 TO SN 0300069000) (CONTINUED)

FIG & ITEM #	PART NUMBER	DESCRIPTION	QTY.	REV.

**S
E
C
T
I
O
N

2

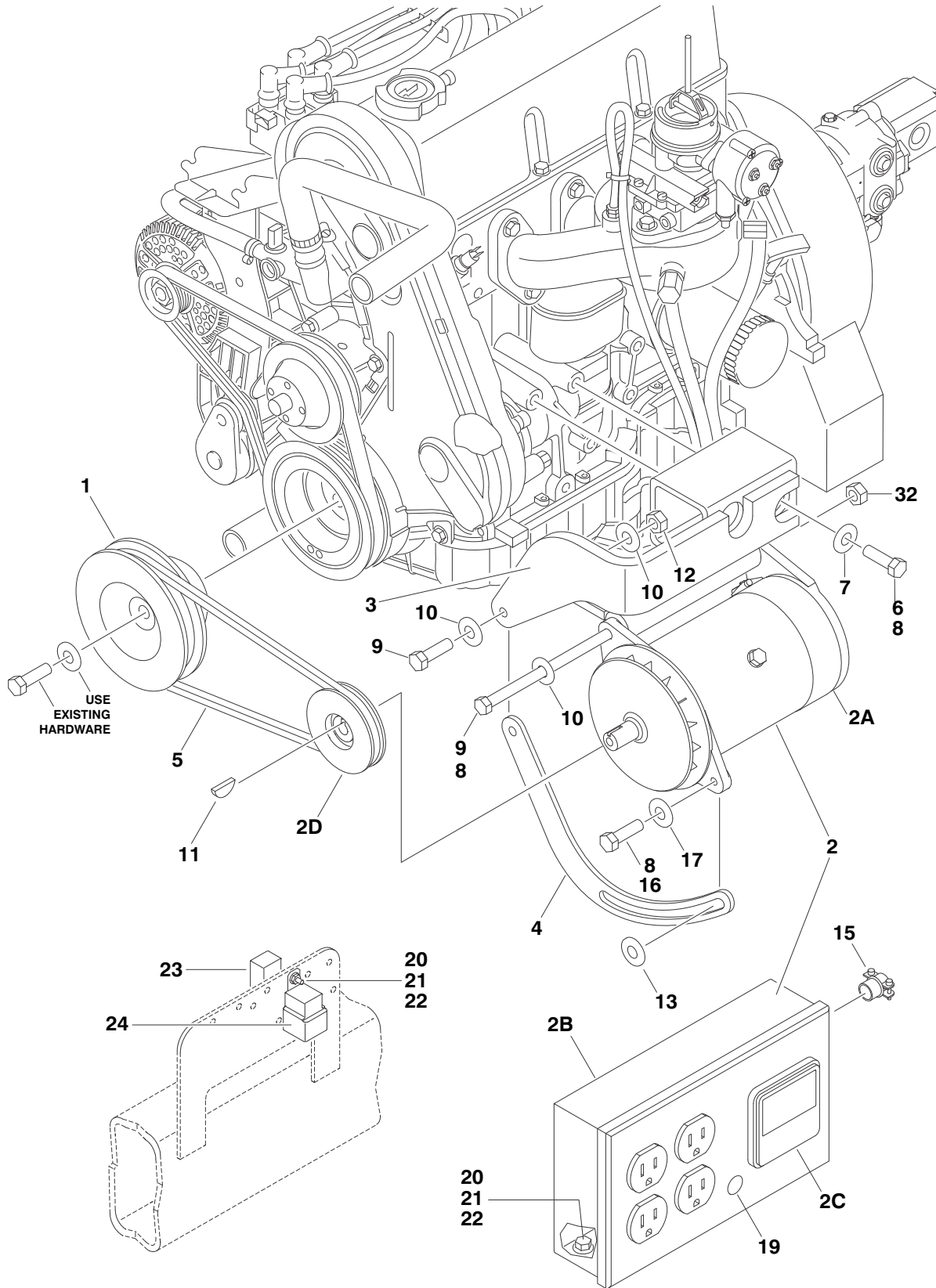
T
U
R
N
T
A
B
L
E**

SECTION 2 TURNTABLE

SECTION 2 TURNTABLE

FIGURE 2-16. GENERATOR INSTALLATION - FORD MACHINES (OPTIONAL)

NOTE: These Machine SN's Also Equipped With ADE System: 0300062045, 0300062797, 0300063013, 0300063665, 0300063975, 0300064000-0300064017, 0300064390, 0300064392 & 0300064411.



SECTION 2 TURNTABLE

FIGURE 2-16. GENERATOR INSTALLATION - FORD MACHINES (OPTIONAL)

FIG & ITEM #	PART NUMBER	DESCRIPTION	QTY.	REV.
		NOTE: THESE MACHINE SN'S ALSO EQUIPPED WITH ADE SYSTEM: 0300062045, 0300062797, 0300063013, 0300063665, 0300063975, 0300064000-0300064017, 0300064390, 0300064392 & 0300064411.	Ref	
		GENERATOR INSTALLATION OPTIONS:	Ref	
		110V Generators	Ref	
	0257851	110V Generator (Prior to SN 0300064432)	Ref	2
	0271545	110V Generator - ADE System (SN 0300064432 to SN 0300069000)	Ref	3
		220V Generators	Ref	
	0257856	220V Generator (Prior to SN 0300064432)	Ref	3
	0271546	220V Generator - ADE System (SN 0300064432 to SN 0300069000)	Ref	4
		Note: Refer to Sky Power Accessories Manual p/n 3124242 for the Miller 7500W Generator.	Ref	
1	3580250	Pulley	1	
2		Generator and Control Box Assembly Options:	1	
	2460011	110Volt Assembly (Prior to SN 0300066053)		J
	2460032	110Volt Assembly (SN 0300066053 to SN 0300069000)		C
	2460013	220Volt Assembly (Prior to SN 0300066053)		C
	2460034	220Volt Assembly (SN 0300066053 to SN 0300066742)		B
	2460013	220Volt Assembly (SN 0300066742 to SN 0300069000)		B
2A		Generator Options:	1	
	7012558	110V Replacement Generator	1	
		Note: Replacement Generator p/n 7012558 come standard with p/n 3580134 pulley. This pulley may not be correct for all applications. Refer to pulley options below.	Ref	
	1001100321	220V Replacement Generator	1	
		Note: Replacement Generator p/n 1001100321 come standard with p/n 3580134 pulley. This pulley may not be correct for all applications. Refer to pulley options below.	Ref	
	7012513	Cap, Brush Holder	4	
	7020108	Brush	4	
	7020109	Holder, Brush	4	
	7026199	110V/60Hz Armature with Slip Rings	1	
	70000123	220V/50Hz Armature with Slip Rings	1	
	7012514	Fan	1	
	7020190	Bearing	2	
	7020110	End Bell, Front	1	
	7020111	End Bell, Rear	1	
	7020193	Harness, Generator	1	

SECTION 2 TURNTABLE

FIGURE 2-16. GENERATOR INSTALLATION - FORD MACHINES (OPTIONAL) (CONTINUED)

SECTION 2 TURNTABLE

FIG & ITEM #	PART NUMBER	DESCRIPTION	QTY.	REV.
2B		Box, Control Options:	1	
	7003657	110V/60Hz Replacement Box		
		Note: Replacement 110V Control Box comes with (2) standard receptacles p/n 4460190. Optional industrial twist lock receptacle p/n 4460027 must be ordered separately.	Ref	
	70002235	220V/50Hz Replacement Box		
		Breaker, Circuit Options:	1	
	4360542	110V Breaker, Circuit		
	70000126	220V Breaker, Circuit		
	7020191	Switch, Toggle	1	
	2920162	Lamp	1	
	4460190	Receptacle, Double (110V Box)	2	
	70000124	Receptacle, Double (220V Box)	1	
70000125	Receptacle, Single (220V Box)	1		
2C		Voltmeter Options:	1	
	2420203	110Volt 60Hz Voltmeter		
	7020192	220Volt 50Hz Voltmeter		
2D		Pulley Options:	1	
	3580134	Generator p/n's 2460011 & 2460013		
	3580276	Generator p/n's 2460032 & 2460034		
	7027887	Key, Woodruff		
3		Bracket, Generator Mounting Options:	1	
	0902210	Prior to SN 0300064432		
	0902756	SN 0300064432 to SN 0300069000		
4	0200547	Arm, Adjusting	1	
5		V-Belt Options:	1	
	0480050	Generator -p/n 2460011/2460013/2460056		
	0480111	Generator -p/n 2460032/2460034		
6	0701015	Bolt M10 x 35mm	2	
7	4812000	Flatwasher M10	2	
8	0100011	Compound, Locking	AR	
9		Bolt Options:	AR	
	0681612	(Prior to SN 0300064432) Bolt 3/8in-16NC x 1-1/2in (Grade 8)	AR	
	0641772	(SN 0300064432 to SN 0300069000) Bolt 7/16in-14NC x 9in	AR	
10	4751600	Flatwasher 3/8in	6	
11	2860012	Key, Woodruff	1	
12	3311605	Locknut 3/8in-16NC	1	
13	4564417	Spacer, Tube	1	
14	Not Used			
15	4460023	Connector, Strain Relief	1	
16	0641508	Bolt 5/16in-18NC x 1in	1	
17	4751500	Flatwasher 5/16in	2	
18	Not Used			
19	3520028	Plug, Hole	1	
20	0721006	Bolt #10-24NC x 3/4in	4	
21	3311005	Locknut #10-24NC	4	

SECTION 2 TURNTABLE

FIGURE 2-16. GENERATOR INSTALLATION - FORD MACHINES (OPTIONAL) (CONTINUED)

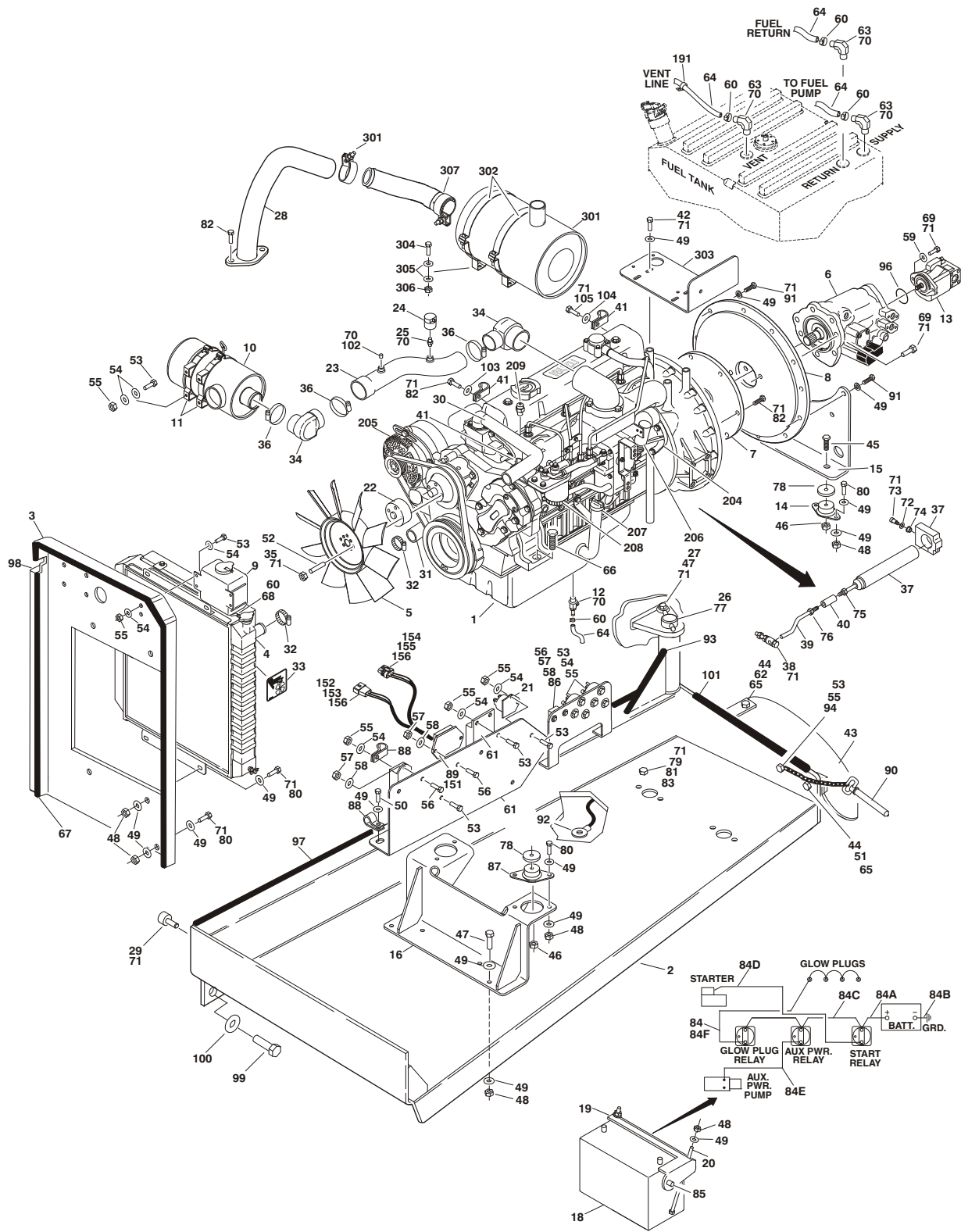
FIG & ITEM #	PART NUMBER	DESCRIPTION	QTY.	REV.
22	4751000	Flatwasher #10	9	
23	4360294	Breaker, Circuit - 30 Amp	1	
24	3740080	Relay, Bosch	1	
25	4360336	Switch, Toggle (Not Shown - Located at Platform)	1	
26	4740397	Bushing (Not Shown - Located at Platform)	1	
27	4060802	Guard, Switch (Not Shown - Located at Platform)	1	
28	Not Used			
29	2820031	Heatshrink (Not Shown - Located at Platform)	4in/10cm	
30	3251102	Decal (Not Shown - Located at Platform)	1	
31	Not Used			
32	3311705	Locknut 7/16in-14NC (SN 0300064432 to SN 0300069000 Only)	1	

SECTION 2 TURNTABLE

SECTION 2 TURNTABLE

FIGURE 2-17. ISUZU ENGINE INSTALLATIONS - 4JB1 (SN 0300060285 TO SN 0300069000)

SECTION 2 TURNTABLE



SECTION 2 TURNTABLE

FIGURE 2-17. ISUZU ENGINE INSTALLATIONS - 4JB1 (SN 0300060285 TO SN 0300069000)

FIG & ITEM #	PART NUMBER	DESCRIPTION	QTY.	REV.
	0258929	ENGINE INSTALLATIONS	Ref	3/B
1	2000151	Engine - Isuzu 4JB1	1	
2	4845404	Tray Weldment	1	
3	3539872	Mount, Radiator	1	
4	3620040	Radiator	1	
	Use 8180311	Cap, Radiator (was p/n 7019656)	1	
5	2060025	Fan	1	
6	3600295	Piston Pump Assembly (See PISTON PUMP ASSEMBLY for Breakdown)	1	
7	1660239	Coupling	1	
8	0080181	Plate, Pump Adapter	1	
9	1580011	Tank, Coolant Recovery	1	
10	1340060	Air Cleaner Assembly	1	
	7012664	Element, Air Cleaner	1	
11	0340041	Band, Air Cleaner	2	
12	4641019	Valve, Oil Drain	1	
13	3600278	Gear Pump Assembly	1	
	7018995	Seal Kit - 3600278 Motor	1	
	7024918	Seal, Shaft		
	7024930	Valve Assembly - 3600278 Motor	1	
14	3200401	Plate, Engine Mount (Rear)	2	
15	3570283	Plate, Engine Mounting - Rear	1	
16	4845532	Plate Weldment, Engine Mounting - Front	1	
17	3841340	Loop, Hose (Not Shown - Located in Turntable)	3	
18		Battery Options:	1	
	0400075	Battery (Wet)		
	7016180	Battery (Dry)		
19	0181727	Battery Hold-Down	1	
20	0630498	Bolt, Tie-Down	2	
21	3740067	Relay (Auxiliary Power)	3	
22	0080230	Spacer, Fan	1	
23	4845035	Tube, Air Intake	1	
24	4360392	Indicator, Clogged Filter	1	
25	2180798	Fitting, Restrictor Indicator	1	
26	3422446	Pin, Pivot	1	
27	3841143	Pin, Keeper	1	
28	4845534	Weldment Tube, Exhaust	1	
29	0940070	Bumper, Rubber	1	
30	2720441	Hose, Radiator - Top	1	
31	2720442	Hose, Radiator - Bottom	1	
32	1320012	Clamp	4	
33	1703162	Decal - Fan Blade	2	
34	0080201	Elbow, Rubber	2	
35	3311401	Nut 1/4in-20NC	4	
36	1320016	Clamp	4	
37	0060033	Kit - Throttle Actuator	1	
38	1660220	Throttle Swivel	1	

SECTION 2 TURNTABLE

**FIGURE 2-17. ISUZU ENGINE INSTALLATIONS - 4JB1 (SN 0300060285 TO SN 0300069000)
(CONTINUED)**

SECTION 2 TURNTABLE

FIG & ITEM #	PART NUMBER	DESCRIPTION	QTY.	REV.
39	3841351	Throttle Rod	1	
40	1660222	Throttle, Coupling	1	
41	1320222	Clamp	3	
42	0701012	Bolt M10 x 25mm	4	
43	3380429	Panel, Rubber	1	
44	3539957	Plate, Hold-Down	2	
45	0641818	Bolt 1/2in-13NC x 2-1/4in	2	
46	3311805	Locknut 1/2in-13NC	4	
47	0641610	Bolt 3/8in-16NC x 1-1/4in	5	
48	3311605	Locknut 3/8in-16NC	22	
49	4751600	Flatwasher 3/8in	63	
50	0641606	Bolt 3/8in-16NC x 3/4in	3	
51	0641508	Bolt 5/16in-18NC x 1in	3	
52	4300148	Stud, Fan Mounting	4	
53	0641406	Bolt 1/4in-20NC x 3/4in	18	
54	4751400	Flatwasher 1/4in	31	
55	3311405	Locknut 1/4in-20NC	19	
56	0721006	Bolt #10-24NC x 3/4in	5	
57	3311001	Nut #10-24NC	5	
58	4751000	Flatwasher #10	5	
59	4891600	Washer, Hardened 3/8in	2	
60	1320022	Clamp	8	
61	0902527	Bracket, Control Module Mounting	1	
62	3900272	Bolt 5/16in-18NC x 1-3/4in	3	
63	2220313	Fitting, Barbed Elbow	3	
64	2750532	Hose	31ft/9.4m	
65	3311505	Locknut 5/16in-18NC	6	
66	0641828	Bolt 1/2in-13NC x 3-1/2in	2	
67	3960389	Seal	5ft/1.52m	
68	2720058	Hose, Fuel Line	12ft/3.7m	
69	0641812	Bolt 1/2in-13NC x 1-1/2in	4	
70	0100020	Sealant	AR	
71	0100011	Compound, Locking	AR	
72	4740442	Washer, Belleville	1	
73	3900217	Screw, Shoulder	1	
74	0962031	Bushing, Flange	1	
75	3321402	Nut, Jam 1/4in-20NC	1	
76	3321602	Nut, Jam 3/8in-24NC	1	
77	0961986	Bushing, Flange	2	
78	4740274	Washer, Snubbing	4	
79	4751800	Flatwasher 1/2in	3	
80	0641608	Bolt 3/8in-16NC x 1in	22	
81	3311801	Nut 1/2in-13NC	1	
82	0701011	Bolt M10 x 22mm	11	
83	0641808	Bolt 1/2in-13NC x 1in	2	
84	2901809	Battery Cable Kit	1	A
84A	7016800	Cable, Battery (Red)	1	
84B	7016831	Cable, Battery (Black)	1	
84C	7016811	Cable (Red)	1	

SECTION 2 TURNTABLE

**FIGURE 2-17. ISUZU ENGINE INSTALLATIONS - 4JB1 (SN 0300060285 TO SN 0300069000)
(CONTINUED)**

FIG & ITEM #	PART NUMBER	DESCRIPTION	QTY.	REV.
84D	7016802	Cable (Red)	1	
84E	7016824	Cable (Red)	1	
84F	7016825	Cable (Black)	1	
85	4460611	Terminal, Battery Jumper Post	1	
86	4360294	Breaker, Circuit	1	
87	3200362	Engine Mount (Front)	2	
88	1320223	Clamp	12	
89	Not Used			
90	3422532	Pin, Hitch	1	
91	0701015	Bolt M10 x 35mm	12	
92	1060637	Lanyard	1	
93	4060804	Flexible Trim 3/16in (Prior to SN 0300067812)	1ft/0.3m	
94	4711400	Flatwasher 1/4in	1	
95	1701505	Decal - Diesel	1	
96	3790152	O-Ring	1	
97	3960468	Seal, Foam 1-1/4in x 1-1/4in x 47-1/4in	1	
98	3960469	Seal, Foam 1-1/4in x 1-1/4in x 32in	1	
99	0642010	Bolt 5/8in-11NC x 1-1/4in	1	
100	4752000	Flatwasher 5/8in	1	
101	4060805	Flexible Trim 1/4in	2.9ft/0.88m	
102	2200221	Plug	1	
103	4711600	Flatwasher 3/8in	1	
104	4711500	Flatwasher 5/16in	1	
105	0700808	Bolt M8 x 16mm	1	
	0259198	TIMER MODULE PLUGS ASSEMBLY	Ref	2/B
151	3740126	Relay, Timer Module	1	
152	4460476	Housing - Receptacle	1	
153	4460475	Pin - Male	3	
154	4460459	Housing - Plug	1	
155	4460457	Socket - Female	3	
156	4460458	Seal	6	
	2000151	ENGINE COMPONENTS	Ref	
201	7022127	Switch, Oil Pressure (Not Shown)	1	
202	7022177	Solenoid, Engine Stop (Not Shown)	1	
203	7023634	Filter, Oil (Not Shown)	1	
204	7023635	Starter	1	
205	7023638	Alternator	1	
206	7023639	Solenoid, Shutdown 12Volt	1	
207	7023640	Gauge, Oil Level	1	
208	7023641	Filter, Fuel	1	
209	7023642	Switch, Water Pressure	1	

SECTION 2 TURNTABLE

**FIGURE 2-17. ISUZU ENGINE INSTALLATIONS - 4JB1 (SN 0300060285 TO SN 0300069000)
(CONTINUED)**

SECTION 2 TURNTABLE

FIG & ITEM #	PART NUMBER	DESCRIPTION	QTY.	REV.
	0258932	MUFFLER INSTALLATION	Ref	1
301	3220113	Muffler - Spark Arresting	1	
302	0340046	Band	2	
303	3570288	Plate, Muffler Mount	1	
304	0641507	Bolt 5/16in-18NC x 1in	4	
305	4711500	Flatwasher 5/16in Narrow	8	
306	3311505	Locknut 5/16in-18NC	4	
307	4567073	Tube, Exhaust	1	

SECTION 2 TURNTABLE

FIGURE 2-17. ISUZU ENGINE INSTALLATIONS - 4JB1 (SN 0300060285 TO SN 0300069000)
(CONTINUED)

FIG & ITEM #	PART NUMBER	DESCRIPTION	QTY.	REV.

**S
E
C
T
I
O
N

2

T
U
R
N
T
A
B
L
E**

SECTION 2 TURNTABLE

FIGURE 2-18. PISTON PUMP ASSEMBLY

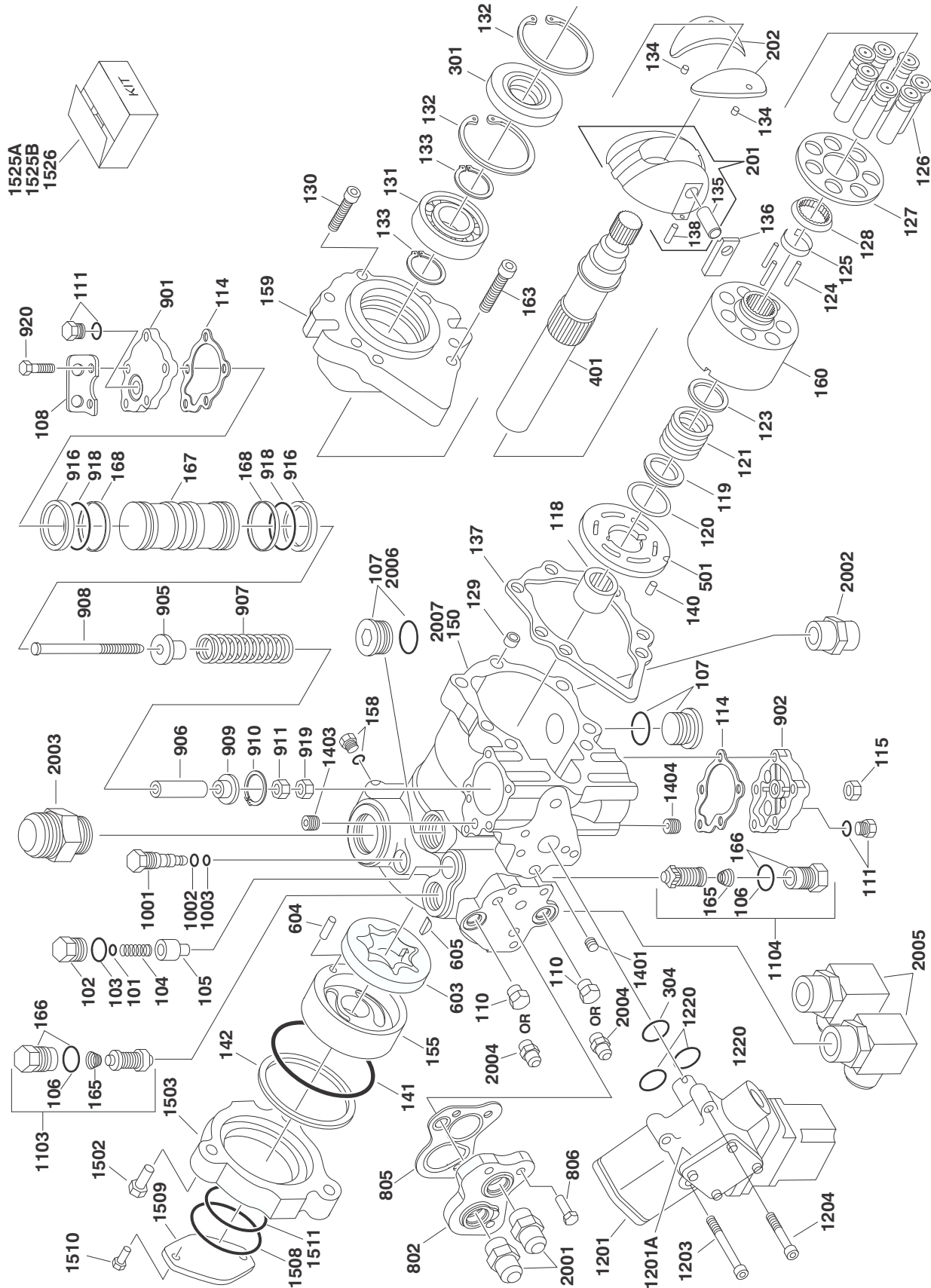


FIGURE 2-18. PISTON PUMP ASSEMBLY

SECTION 2 TURNTABLE

FIGURE 2-18. PISTON PUMP ASSEMBLY

FIG & ITEM #	PART NUMBER	DESCRIPTION	QTY.	REV.
		PISTON PUMP ASSEMBLIES	Ref	
	3600277	Prior to SN 0300042829	Ref	A
	3600295	SN 0300042829 to SN 0300069000	Ref	A
		Note: Original Equipment pump may have been replaced with Service Replacement pump. Visually identify the p/n tag on pump before ordering parts.	Ref	
1 to 100	Not Used			
101	7007413	Shim Kit	1	
102	7007414	Plug	1	
103	See Note	O-Ring (Note: Use Item 1525A.)	1	
104	7021200	Spring, Relief Valve	1	
105	7007417	Valve, Relief	1	
106	See Note	O-Ring (Note: Use Item 1525A.)	2	
107	7007419	Plug	2	
108	7021201	Bracket, Lifting	1	
109	Not Used			
110	7007470	Plug	2	
111	7007470	Plug	2	
112 to 113	Not Used			
114	See Note	Gasket, Servo Cover (Note: Use Item 1525A.)	2	
115	7007423	Nut, Special	1	
116 to 117	Not Used			
118	7007425	Bearing, Needle	1	
119	Use 7010116	Ring, Retaining	1	
120	Use 7010116	Washer	1	
121	Use 7010116	Spring	1	
122	Not Used			
123	Use 7010116	Washer	1	
124	Use 7010116	Retainer	1	
125	Use 7010116	Pin, Slipper Holddown	3	
126	Use 7010116	Piston Assembly	7	
127	Use 7010116	Retainer, Slipper	1	
128	Use 7010116	Guide, Retainer	1	
129	7007435	Pin, Spring	1	
130	7021202	Screw, 12 Point Head	1	
131	7007437	Bearing, Ball	1	
132	7007438	Ring, Retainer	2	
133	7007439	Ring	2	
134	7021203	Pin, Spring	2	
135	7007441	Handle, Pin	1	
136	7007442	Sleeve, Bearing	1	
137	See Note	Gasket, Front Cover (Note: Use Item 1525A.)	1	
138	7021205	Pin	1	
139	Not Used			
140	7007446	Pin	1	
141	See Note	O-Ring (Note: Use Item 1525A.)	1	
142	See Note	Ring, Load Temper (Note: Use Item 1525A.)	1	

SECTION 2 TURNTABLE

FIGURE 2-18. PISTON PUMP ASSEMBLY (CONTINUED)

SECTION 2 TURNTABLE

FIG & ITEM #	PART NUMBER	DESCRIPTION	QTY.	REV.
143 to 149	Not Used			
150	7023977	Housing, Pump	1	
151 to 154	Not Used			
155	7007452	Cover, Gerotor	1	
156 to 157	Not Used			
158	7007208	Plug	1	
159	7007454	Cover, Front	1	
160 to 162	Not Used			
163	7021207	Screw	6	
164	Not Used			
165	7021208	Spring	2	
166	7021209	Plug, SCR	2	
167	7007494	Piston, Servo	1	
168	See Note	Bearing (Note: Use Item 1525A.)	2	
169 to 200	Not Used			
201	7007457	Swashplate Assembly (Includes Items 135 & 138)	1	
202	7021212	Journal, Bearing	2	
203 to 300	Not Used			
301	See Note	Seal, Lip (Note: Use Item 1525A.)	1	
302 to 303	Not Used			
304	See Note	O-Ring (Note: Use Item 1525A.)	1	
305 to 400	Not Used			
401	7021213	Shaft, Main Pump	1	
402 to 500	Not Used			
501	7021214	Plate, Valve	1	
502 to 602	Not Used			
603	7007463	Gerotor Assembly	1	
604	7007464	Pin	1	
605	7007465	Key, Woodruff	1	
606 to 801	Not Used			
802	7007466	Adaptor, Remote Filtration	1	
803 to 804	Not Used			
805	See Note	Seal, Filter Adapter (Note: Use Item 1525A.)	1	
806	7021218	Screw	3	
807 to 900	Not Used			
901	7021219	Cover, Servo	1	
902	7021220	Cover, Servo	1	
903 to 904	Not Used			
905	7007483	Guide, Spring	1	
906	7007484	Stop, Servo	1	
907	7007485	Spring	1	
908	7021221	Screw	1	
909	7007487	Guide, Spring	1	
910	7007488	Ring, Retaining	1	
911	7021222	Nut	1	
912 to 915	Not Used			
916	See Note	Ring, Piston (Note: Use Item 1525A or 1525B.)	2	
917	Not Used			
918	See Note	O-Ring (Note: Use Item 1525A or 1525B.)	2	

SECTION 2 TURNTABLE

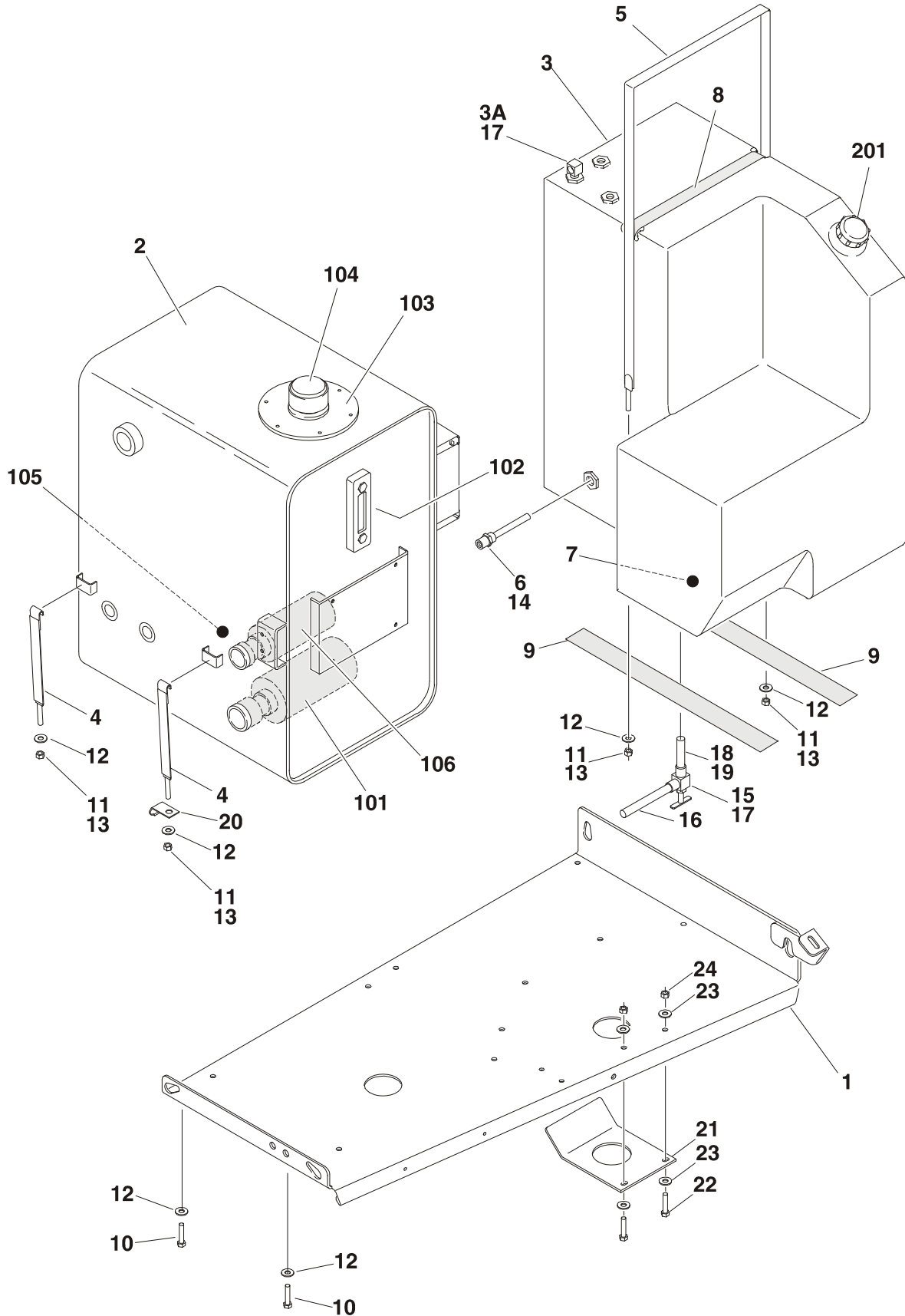
FIGURE 2-18. PISTON PUMP ASSEMBLY (CONTINUED)

FIG & ITEM #	PART NUMBER	DESCRIPTION	QTY.	REV.
919	7021206	Nut	1	
920	7021223	Screw	10	
921 to 1000	Not Used			
1001	7007472	Valve, Bypass	1	
1002	See Note	Ring, Back-up (Note: Use Item 1525A.)	1	
1003	See Note	O-Ring (Note: Use Item 1525A.)	1	
1004 to 1102	Not Used			
1103	7010122	SCR Kit (Includes Items 166, 106 & 165)	1	
1104	7010122	SCR Kit (Includes Items 166, 106 & 165)	1	
1105 to 1200	Not Used			
1201	7007474	Control, Dual Oil-Filled	1	
	7007496	Coil Assembly (Pilot)	1	
	7007497	Plug (Pump)	1	
	7007498	Plug (Valve Harness)	1	
1201A	7024828	Gasket, Cover	1	
1202	Not Used			
1203	7007478	Screw	2	
1204	7001498	Screw	2	
1205 to 1219	Not Used			
1220	See Note	O-Ring (Note: Use Item 1525A.)	2	
1221 to 1400	Not Used			
1401	7007475	Plug, Orifice/Screen (.156)	1	
1402	Not Used			
1403		Plug, Orifice Options:	1	
	7007477	Prior to SN 0300042829 (3600277 Pump)		
	7021226	SN 0300042829 to SN 0300069000 (3600295 Pump)		
1404		Plug, Orifice Options:	1	
	7007477	Prior to SN 0300042829 (3600277 Pump)		
	7021226	SN 0300042829 to SN 0300069000 (3600295 Pump)		
1405 to 1501	Not Used			
1502	7007453	Screw	3	
1503	7021227	Adapter, Flange	1	
1504 to 1507	Not Used			
1508	7021228	O-Ring	1	
1509	7021229	Plate, Cover	1	
1510	7021230	Screw	2	
1511	7021231	O-Ring	1	
1512 to 1524	Not Used			
1525		Seal Kit Options:	1	
1525A	7021232	Seal Kit, Complete (Includes Items 103, 106, 114, 137, 141, 142, 168, 301, 304, 805, 916, 918, 1002, 1003 & 1220)		
1525B	7007412	Seal Kit, Servo Piston (Includes Items 916 and 918)		
1526	7010116	Cylinder Block Kit (Includes Items 119-128)	1	

SECTION 2 TURNTABLE

FIGURE 2-19. TANK INSTALLATIONS

SECTION 2 TURNTABLE



SECTION 2 TURNTABLE

FIGURE 2-19. TANK INSTALLATIONS

FIG & ITEM #	PART NUMBER	DESCRIPTION	QTY.	REV.
		TANKS INSTALLATION OPTIONS:	Ref	
	0258382	Diesel	Ref	C
	0270396	Gas	Ref	B
1		Tray Weldment Options:	1	
	4845617	Prior to SN 0300040678		
	4845928	SN 0300040678 to SN 0300069000		
2	4400410	Hydraulic Tank Assembly (See Items 101-106 for Break-down)	1	
3	4400400	Tank, Fuel (Includes Non-Locking Cap)	1	
3A	7019658	Fitting and Pick-up Tube	1	
4	4240112	Strap, Tank	4	
5	4240113	Strap, Tank	1	
6	4360436	Switch, Fuel Level	1	
7	2200222	Fitting	1	
8	4280295	Strip, Protective	25in/44cm	
9	4420038	Tape, Rubber	70in/1.78m	
10	0641614	Bolt 3/8"-16NC x 1 3/4"	6	
11	3311601	Nut 3/8in-16NC	AR	
12	4751600	Flatwasher 3/8in	AR	
13	0100011	Compound, Locking	AR	
14	0100079	Permatex	AR	
		Note: Items 15 - 24 Used on Gas Machines Only SN 0300048538 to SN 0300069000	Ref	
15	4641022	Valve, Needle (SN 0300048538 to SN 0300069000)	1	
16	4568118	Tube, Fuel (SN 0300048538 to SN 0300069000)	1	
17	0100020	Sealant (SN 0300048538 to SN 0300069000)	AR	
18	0100062	Retaining Compound #680 (SN 0300048538 to SN 0300069000)	AR	
19	4568119	Tube, Fuel (SN 0300048538 to SN 0300069000)	1	
20	1320223	Clamp (SN 0300048538 to SN 0300069000)	1	
21	3572423	Plate, Valve, Needle (SN 0300048538 to SN 0300069000)	1	
22	0641508	Bolt 5/16in-18NC x 1in (SN 0300048538 to SN 0300069000)	2	
23	4711500	Flatwasher 5/16in (SN 0300048538 to SN 0300069000)	4	
24	3311505	Locknut 5/16in-18NC (SN 0300048538 to SN 0300069000)	2	
	4400410	HYDRAULIC TANK ASSEMBLY	Ref	G
101	7014818	Strainer 1-1/2inNPT	1	
102	7014802	Gauge, Sight	1	
103	7014810	Neck, Fill	1	
	7014816	Screen	1	
104	7014817	Breather/Fill Cap	1	
105	7014813	Plug, Magnetic	1	
106	7014801	Strainer 1-1/4inNPT	1	

SECTION 2 TURNTABLE

FIGURE 2-19. TANK INSTALLATIONS (CONTINUED)

SECTION 2 TURNTABLE

FIG & ITEM #	PART NUMBER	DESCRIPTION	QTY.	REV.
201	7016314 1120484 1120487	FUEL TANK CAP INSTALLATION Cap Options: Standard Non-Locking (Part of Item 3) Optional Lockable (Gas Machines) Optional Lockable (Diesel Machines)	Ref 1	

SECTION 2 TURNTABLE

FIGURE 2-19. TANK INSTALLATIONS (CONTINUED)

FIG & ITEM #	PART NUMBER	DESCRIPTION	QTY.	REV.

**S
E
C
T
I
O
N

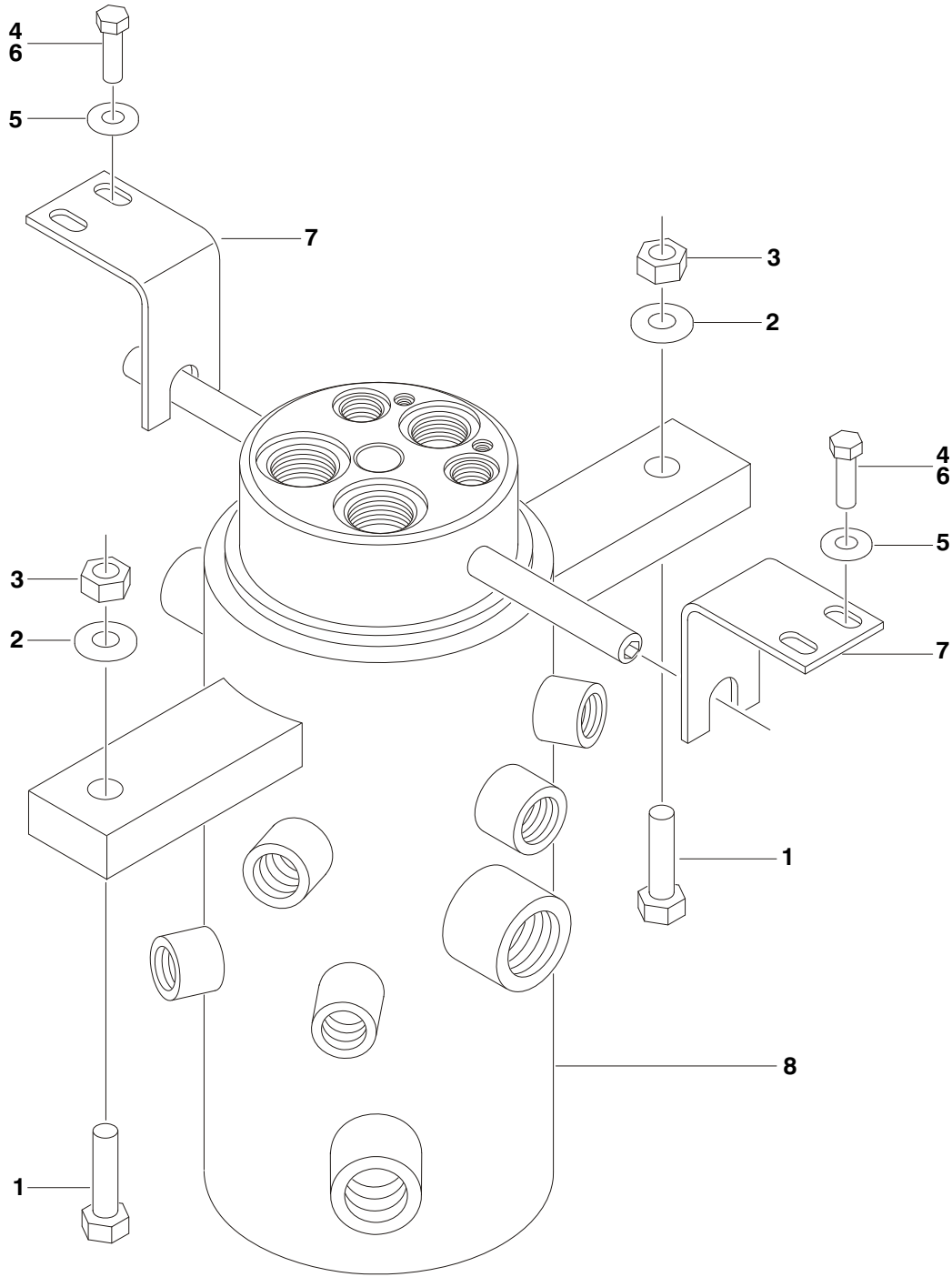
2

T
U
R
N
T
A
B
L
E**

SECTION 2 TURNTABLE

FIGURE 2-20. ROTARY COUPLING INSTALLATION

SECTION 2 TURNTABLE



SECTION 2 TURNTABLE

FIGURE 2-20. ROTARY COUPLING INSTALLATION

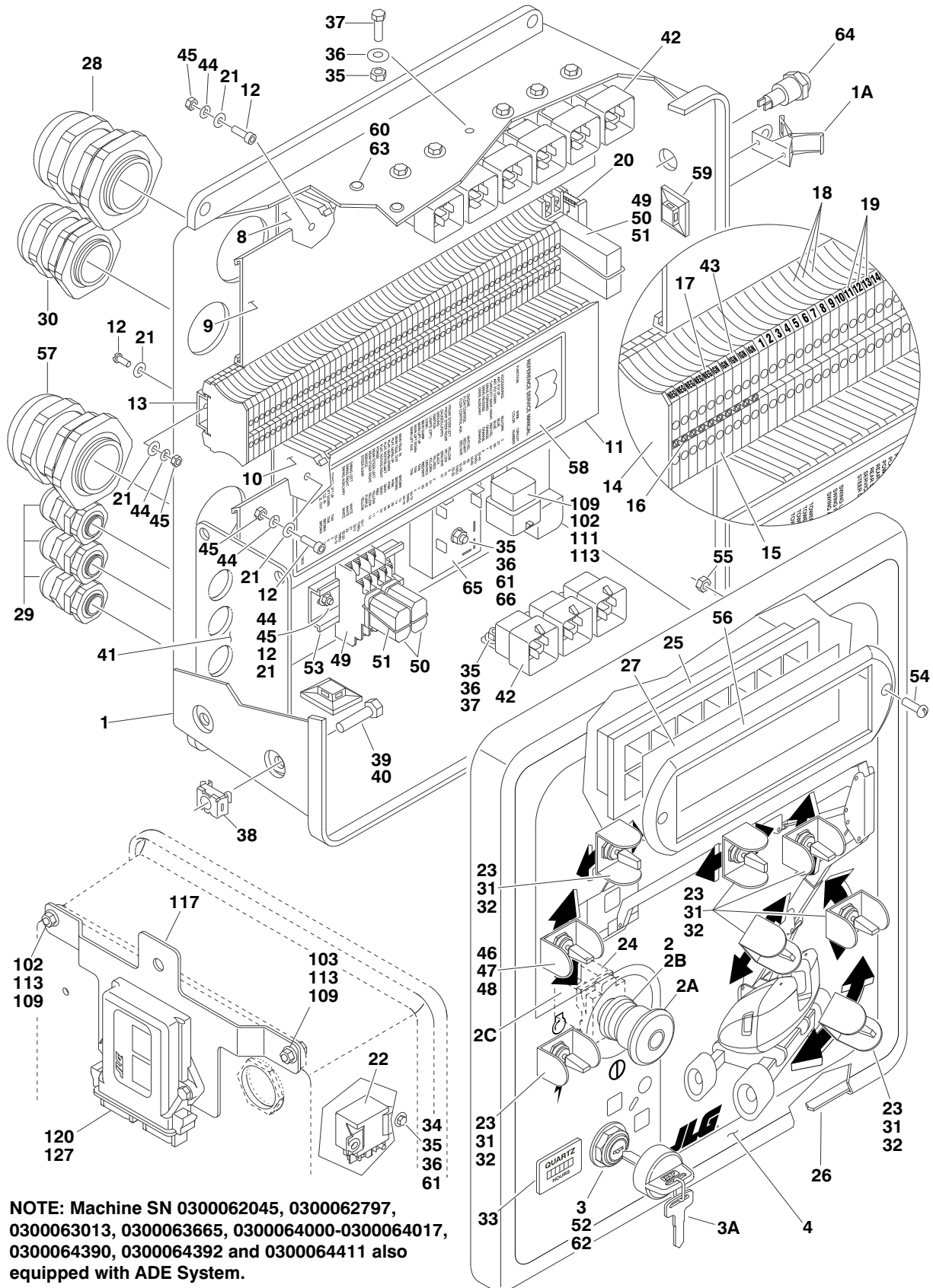
FIG & ITEM #	PART NUMBER	DESCRIPTION	QTY.	REV.
		ROTARY COUPLING INSTALLATIONS	Ref	
	0255262	2WS (Prior to SN 0300066290)	Ref	5
	0272354	2WS (SN 0300066290 to SN 0300069000)	Ref	A
	0255294	4WS (Prior to SN 0300066290)	Ref	2
	0272355	4WS (SN 0300066290 to SN 0300069000)	Ref	A
1	0641820	Bolt 1/2in-13NC x 2-1/2in	2	
2	4751800	Flatwasher 1/2in	4	
3	3311805	Locknut 1/2in-13NC	2	
4	0641611	Bolt 3/8in-16NC x 1-3/8in	4	
5	4751600	Flatwasher 3/8in	4	
6	0100011	Compound, Locking	AR	
7		Bracket	2	
	Use 0902520	Prior to SN 0300041300 (was p/n 0902109)		
	0902520	SN 0300041300 to SN 0300066290		
	0902846	SN 0300066290 to SN 0300069000		
8		Coupling, Rotary Options:	AR	
	1660219	2WS Coupling Options:		
	1660219	New OEM Replacement (2WS)	1	
	7013187	Seal Kit - 1660219 Coupling (2WS)	1	
	1660219RR	Rebuilt Replacement (2WS)	1	
		(Note: Contact JLG Parts Dept for information.)		
		4WS Coupling Options:		
	1660223	New OEM Replacement (4WS)	1	
	7016342	Seal Kit - 1660223 Coupling (4WS)	1	
	1660223RR	Rebuilt Replacement (4WS)	1	
		(Note: Contact JLG Parts Dept for information.)		

SECTION 2 TURNTABLE

SECTION 2 TURNTABLE

FIGURE 2-21. GROUND CONTROL BOX ASSEMBLY (PRIOR TO SN 0300064432)

SECTION 2 TURNTABLE



SECTION 2 TURNTABLE

FIGURE 2-21. GROUND CONTROL BOX ASSEMBLY (PRIOR TO SN 0300064432)

FIG & ITEM #	PART NUMBER	DESCRIPTION	QTY.	REV.
		NOTE: THESE MACHINE SN'S ALSO EQUIPPED WITH ADE SYSTEM: 0300062045, 0300062797, 0300063013, 0300063665, 0300063975, 0300064000-0300064017, 0300064390, 0300064392 & 0300064411.	Ref	
		GROUND CONTROL BOX ASSEMBLIES	Ref	
	0861196	800A with Deutz Engine (Prior to SN 0300064432)	Ref	5
	0861197	800AJ with Deutz Engine (Prior to SN 0300064432)	Ref	5
	0861258	800A with Isuzu Engine (SN 0300060285 to SN 0300064432)	Ref	4
	0861259	800AJ with Isuzu Engine (SN 0300060285 to SN 0300064432)	Ref	3
	0861228	800A with Ford Engine (Prior to SN 0300048538)	Ref	2
	0861154	800A with Ford Engine with EFI (SN 0300048538 to SN 0300064432)	Ref	3
	0861229	800AJ with Ford Engine (Prior to SN 0300048538)	Ref	2
	0861155	800AJ with Ford Engine with EFI (SN 0300048538 to SN 0300064432)	Ref	3
1		Box, Fiberglass Options:	1	
	0861131	Prior to SN 0300044657		
	0861302	SN 0300044657 to SN 0300064432		
	0861313	Ford Engines with EFI (SN 0300048538 to SN 0300064432)		
1A	7020246	Latch	2	
2		Switch, Emergency Stop Options:	1	
	4360289	Prior to SN 0300044657		
	4360475	SN 0300044657 to SN 0300064432		
2A	7012611	Cap, Mushroom Head (Prior to SN 0300044657)	1	
2A	7020175	Cap, Mushroom Head (SN 0300044657 to SN 0300064432)	1	
2B	7012612	Boot (Prior to SN 0300044657)	1	
2C	7020176	Block, Contact (SN 0300044657 to SN 0300064432)	1	
3		Switch, Key Options:	1	
	4360315	Prior to SN 0300044657		
	4360469	SN 0300044657 to SN 0300064432 (Common Key Style)		
3A		Key Options:	1	
	7012560	Prior to SN 0300044657		
	2860030	SN 0300044657 to SN 0300064432 (Common Key Style)		
4		Decal - Faceplate	1	
	1703467	800A		
	1703468	800AJ		
5		Engine Harness Assembly (See ELECTRICAL SECTION for Breakdown)	1	
	4922077	Deutz Engine Machines (Prior to SN 0300064432)		
	4922138	Ford Engine Machines (Prior to SN 0300048538)		
	4922272	Ford Engine Machines with EFI (SN 0300048538 to SN 0300064432)		

SECTION 2 TURNTABLE

SECTION 2 TURNTABLE

FIGURE 2-21. GROUND CONTROL BOX ASSEMBLY (PRIOR TO SN 0300064432) (CONTINUED)

SECTION 2 TURNTABLE

FIG & ITEM #	PART NUMBER	DESCRIPTION	QTY.	REV.
6	4922046	Valve Harness Assembly (See ELECTRICAL SECTION for Breakdown)	1	
7	Not Used			
8	1840012	Duct, Wiring - 2in/5cm	1	
9	1840013	Duct, Cover - 2in/5cm	1	
10	1840014	Duct, Wiring - 3in/7.6cm	1	
11	1840015	Duct, Cover - 3in/7.6cm	1	
12	3910608	Screw #6-32NC x 1/2in	8	
13	3640970	Rail	1	
14	4460602	Barrier, Terminal	1	
15	4460601	Block, Terminal	10	
16	4460603	Bussbar - 10 Position (Requires being cut into (2) 5 position bussbars)	1	
17	4460631	Marker, Terminal (Negative)	1	
18	4460600	Block, Terminal	46	
19	4460628	Marker, Terminal (1-50)	2	
20	4460607	Stop, Terminal	1	
21	4750600	Flatwasher #6	14	
22	3740112	Relay, Bosch	1	
23	4360314	Switch, Toggle	AR	
24		Switch, Contact Block Options:	1	
	4360282	Prior to SN 0300044657		
	4360476	SN 0300044657 to SN 0300064432		
25	2760105	Housing, Display Light	1	
26	4420038	Insulation, Adhesive Foam	4in/10cm	
27		Decal - Ground Control Display Options:	1	
	1702610	Prior to SN 0300056474		
	1704833	SN 0300056474 to SN 0300064432		
28	4460526	Connector, Strain Relief	1	
29	4460428	Connector, Strain Relief	3	
30	4460426	Connector, Strain Relief	1	
31	4740444	Washer, Special	AR	
32	4060906	Shield, Toggle Switch	AR	
33	2420172	Gauge, Hourmeter	1	
34	0721005	Screw #10-24NC x 5/8in	2	
35	3311001	Nut #10-24NC	AR	
36	4751000	Flatwasher #10	AR	
37	3900268	Screw #10-24NC x 1/2in	9	
38	3300205	Nut, Retainer	4	
39	0641506	Bolt 5/16in-18NC x 3/4in	4	
40	0100011	Compound, Locking	AR	
41	3539219	Plate, Reinforcement	1	
42	3740049	Relay - SPDT	AR	
43	4460630	Marker, Terminal (Ignition)	1	
44	4760600	Lockwasher #6	8	
45	3310601	Nut #6-32NC	8	
46	4360314	Switch, Toggle	1	
47	4740444	Washer, Nylon	1	
48	4060906	Shield, Toggle Switch	1	

SECTION 2 TURNTABLE

FIGURE 2-21. GROUND CONTROL BOX ASSEMBLY (PRIOR TO SN 0300064432) (CONTINUED)

FIG & ITEM #	PART NUMBER	DESCRIPTION	QTY.	REV.
49		Socket, Relay Options:	AR	
	4120012	Deutz Engine Machines (SN 0300056474 to SN 0300064432)	2	
	4120012	Ford Engine Machines (Prior to SN 0300064432)	1	
50		Relay Options:	AR	
	3740057	Deutz Engine Machines (SN 0300056474 to SN 0300064432)	2	
	3740057	Ford Engine Machines (Prior to SN 0300064432)	1	
51		Spring, Relay Options:	AR	
	3740066	Deutz Engine Machines (SN 0300056474 to SN 0300064432)	2	
	3740066	Ford Engine Machines (Prior to SN 0300064432)	1	
52		Hardware Options:	AR	
	3300390	Nut with Weather Resistant Boot (Prior to SN 0300044657)	1	
	4070987	Shim, Switch (Common Key) (SN 0300044657 to SN 0300064432)	AR	
53	3640986	Rail, Relay Mount (SN 0300056474 to SN 0300064432)	1	
54	0630518	Capscrew, Button Head	2	
55	3300408	Locknut, Plastic Insert	AR	
56	1670829	Bezel	1	
57	4460711	Connector, Strain Relief	1	
58	1703622	Decal - Service Manual Reference	1	
59	4460234	Base, Tie-Strap (Not Shown)	6	
60	0100009	Silicone	AR	
61	4761000	Lockwasher #10	4	
62	3910804	Screw #8-32NC x 1/4in	6	
63	3520174	Plug, Hole	AR	
64	4360387	Switch, Pushbutton (Ford Engines with EFI Only) (SN 0300048538 to SN 0300064432)	1	
65	3740113	Relay, Timer (Ford Engines with EFI Only) (SN 0300048538 to SN 0300064432)	1	
66	3911024	Screw #10-24NC x 1-1/2in (Ford Engines with EFI Only) (SN 0300048538 to SN 0300064432)	1	
	1001091538	TILT SENSOR INSTALLATION (PRE ADE SYSTEM)	Ref	E
101	Not Used			
102	0641406	Bolt 1/4in-20NC x 3/4in	3	
103	0641410	Bolt 1/4in-20NC x 1-1/4in	2	
104 to 108	Not Used		2	
109	3311405	Locknut 1/4in-20NC	5	
110	Not Used			
111	3740049	Relay	1	
112	Not Used			
113	4711400	Flatwasher 1/4in (Narrow)	5	
114	Not Used			
115	1001091778	Harness, Tilt Switch Boom (Not Shown) (See ELECTRICAL SECTION for Breakdown)	1	

SECTION 2 TURNTABLE

SECTION 2 TURNTABLE

FIGURE 2-21. GROUND CONTROL BOX ASSEMBLY (PRIOR TO SN 0300064432) (CONTINUED)

SECTION 2 TURNTABLE

FIG & ITEM #	PART NUMBER	DESCRIPTION	QTY.	REV.
116	1001091941	Harness, Console Tilt (Not Shown) (See ELECTRICAL SECTION for Breakdown)	1	
117	1001092527	Plate, Module Mounting	1	
118 to 119	Not Used			
120	1001094484	Controller, UMS Module	1	
121 to 122	Not Used			
123	1001094791	Harness, Tilt Sensor Turntable (Not Shown) (See ELECTRICAL SECTION for Breakdown)	1	
124 to 126	Not Used			
127	0100048	Grease, Dielectric	AR	

SECTION 2 TURNTABLE

FIGURE 2-21. GROUND CONTROL BOX ASSEMBLY (PRIOR TO SN 0300064432) (CONTINUED)

FIG & ITEM #	PART NUMBER	DESCRIPTION	QTY.	REV.

**S
E
C
T
I
O
N

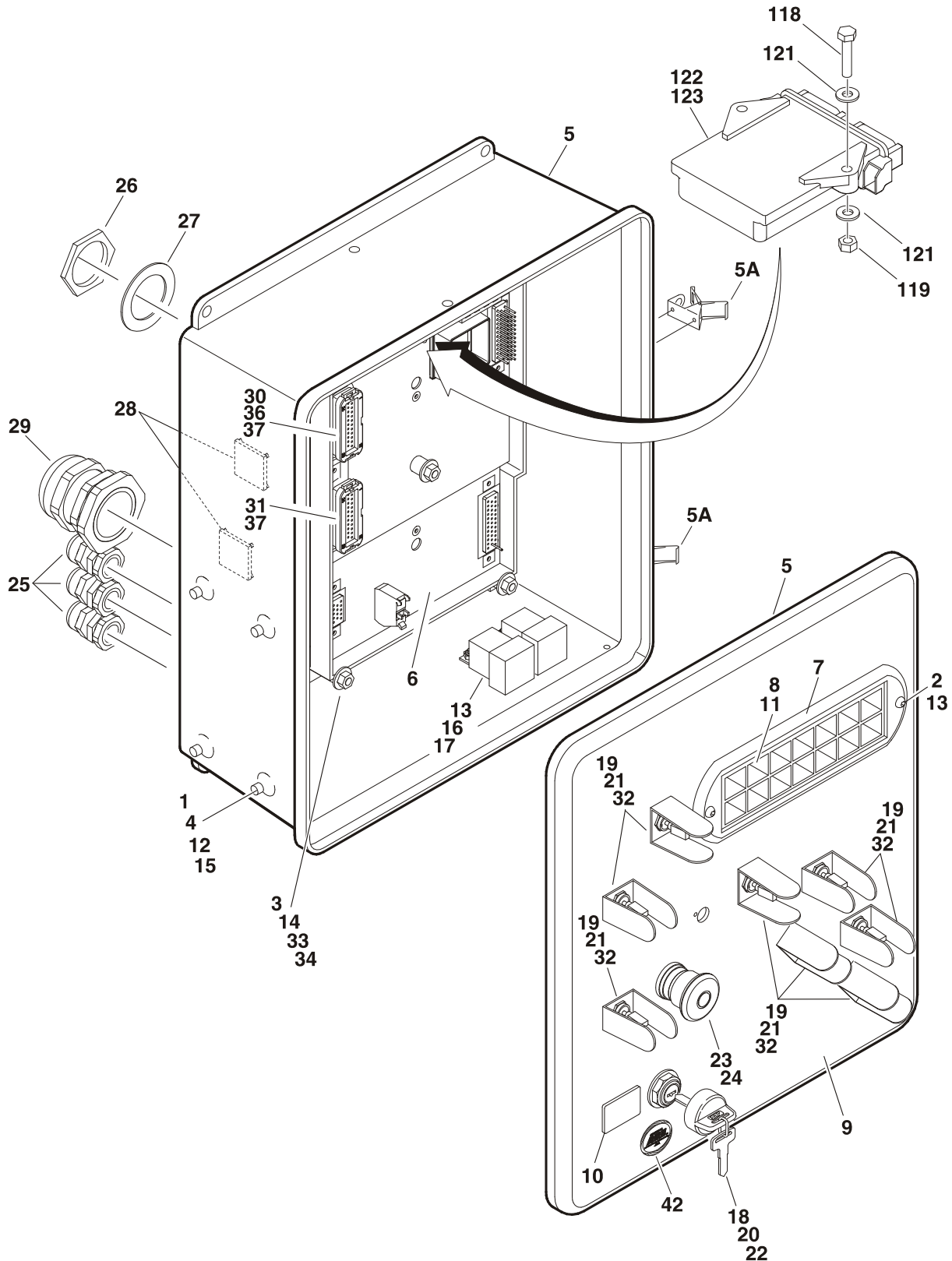
2

T
U
R
N
T
A
B
L
E**

SECTION 2 TURNTABLE

FIGURE 2-22. GROUND CONTROL BOX ASSEMBLY (ADE SYSTEM)
(SN 0300064432 TO SN 0300069000)

SECTION 2 TURNTABLE



SECTION 2 TURNTABLE

FIGURE 2-22. GROUND CONTROL BOX ASSEMBLY (ADE SYSTEM) (SN 0300064432 TO SN 0300069000)

FIG & ITEM #	PART NUMBER	DESCRIPTION	QTY.	REV.
		GROUND CONTROL BOX ASSEMBLIES	Ref	
	0861445	800A with Deutz Engine (SN 0300064009 Only)	Ref	E
	0861502	800A with Deutz Engine (SN 0300064432 to SN 0300069000)	Ref	H
	0861503	800AJ with Deutz Engine	Ref	H
	0861500	800A with Ford Engine with EFI	Ref	G
	0861501	800AJ with Ford Engine with EFI	Ref	G
1	0100011	Compound, Locking	AR	
2	0630518	Capscrew, Button Head	2	
3	0630548	Tap, 2-1/2in Bolt	5	
4	0641506	Bolt 5/16in-18NC x 3/4in	4	
5	0861407	Box, Fiberglass	1	
5A	7020246	Latch	2	
6		Module, Ground Control Options:	1	
	See Note	SN 0300064009 Only (was p/n 1600312)		
		Note: For service purchase p/n 2915014. Contact JLG Service Dept. prior to installation.	Ref	
	Use 2915014	SN 0300064432 to SN 0300069000 (was p/n 1600327)		
7	1670829	Bezel	1	
8	1704833	Decal - Ground Control Display (was p/n 1702610)	1	
9		Decal - Faceplate Options:	1	
	1703467	800A		
	1703468	800AJ		
10	2420172	Gauge, Hourmeter	1	
11	2760105	Housing, Display Light	1	
12	3300205	Nut, Retainer	4	
13	3300408	Locknut, Plastic Insert	AR	
14	3311401	Nut 1/4in-20NC	10	
15	3539219	Plate, Reinforcement	1	
16	3740049	Relay	2	
17	3900268	Screw, Flange #10 x 1/2in	2	
18	3910804	Screw #8-32NC x 1/4in	6	
19	4060906	Shield, Toggle Switch	8	
20	4070987	Shim (.015in)	1	
21	4360328	Switch, Toggle	8	
22	4360469	Switch, Key	1	
	2860030	Key Replacement	1	
23	4360475	Switch, Emergency Stop	1	
	7020175	Cap, Mushroom	1	
	7020176	Block, Contact	1	
24	4360476	Switch, Contact Block	1	
25		Connector, Strain Relief Options:	AR	
	4460428	SN 0300064009 Only	3	
	4460426	SN 0300064432 to SN 0300069000	2	
26	4460470	Nut, Terminal	1	
27	4460471	Lockwasher, Terminal	1	
28	4460488	Mounting Base, Terminal	7	

SECTION 2 TURNTABLE

FIGURE 2-22. GROUND CONTROL BOX ASSEMBLY (ADE SYSTEM) (SN 0300064432 TO SN 0300069000) (CONTINUED)

FIG & ITEM #	PART NUMBER	DESCRIPTION	QTY.	REV.
29	4460526	Connector, Strain Relief	1	
30	4460874	Connector, Natural	1	
31	4460875	Connector, Gray	1	
32	4740444	Washer, Special	8	
33	4751400	Flatwasher 1/4in	20	
34	4761400	Lockwasher 1/4in	10	
35		Harness, Analyzer Cable Options (Not Shown):	1	
	4922485	SN 0300064009 Only		
	4922666	SN 0300064432 to SN 0300069000		
36	4460905	Connector, Amp Seal	4	
37	0100048	Grease, Dielectric	AR	
38 to 41	Not Used			
42	1705132	Decal - Control ADE (SN 0300066867 to SN 0300069000)	1	
43	3520035	Plug, Cap (Not Shown) (SN 0300068040 to SN 0300069000)	1	
	1001093187	TILT SENSOR INSTALLATION (ADE SYSTEM)	Ref	C
101 to 111	Not Used			
112	1001093256	Harness, Console (Not Shown) (See ELECTRICAL SECTION for Breakdown)	1	
113 to 114	Not Used			
115	1001094470	Harness, Boom Cable Jumper (Not Shown) (See ELECTRICAL SECTION for Breakdown)	1	
118	0641410	Bolt 1/4in-20NC x 1-1/4in	2	
119	3311405	Locknut 1/4in-20NC	2	
120	Not Used			
121	4711400	Flatwasher 1/4in	4	
122	1001094484	Controller, UMS Module	1	
123	0100048	Grease, Dielectric	AR	

SECTION 2 TURNTABLE

SECTION 2 TURNTABLE

FIGURE 2-22. GROUND CONTROL BOX ASSEMBLY (ADE SYSTEM) (SN 0300064432 TO SN 0300069000) (CONTINUED)

FIG & ITEM #	PART NUMBER	DESCRIPTION	QTY.	REV.

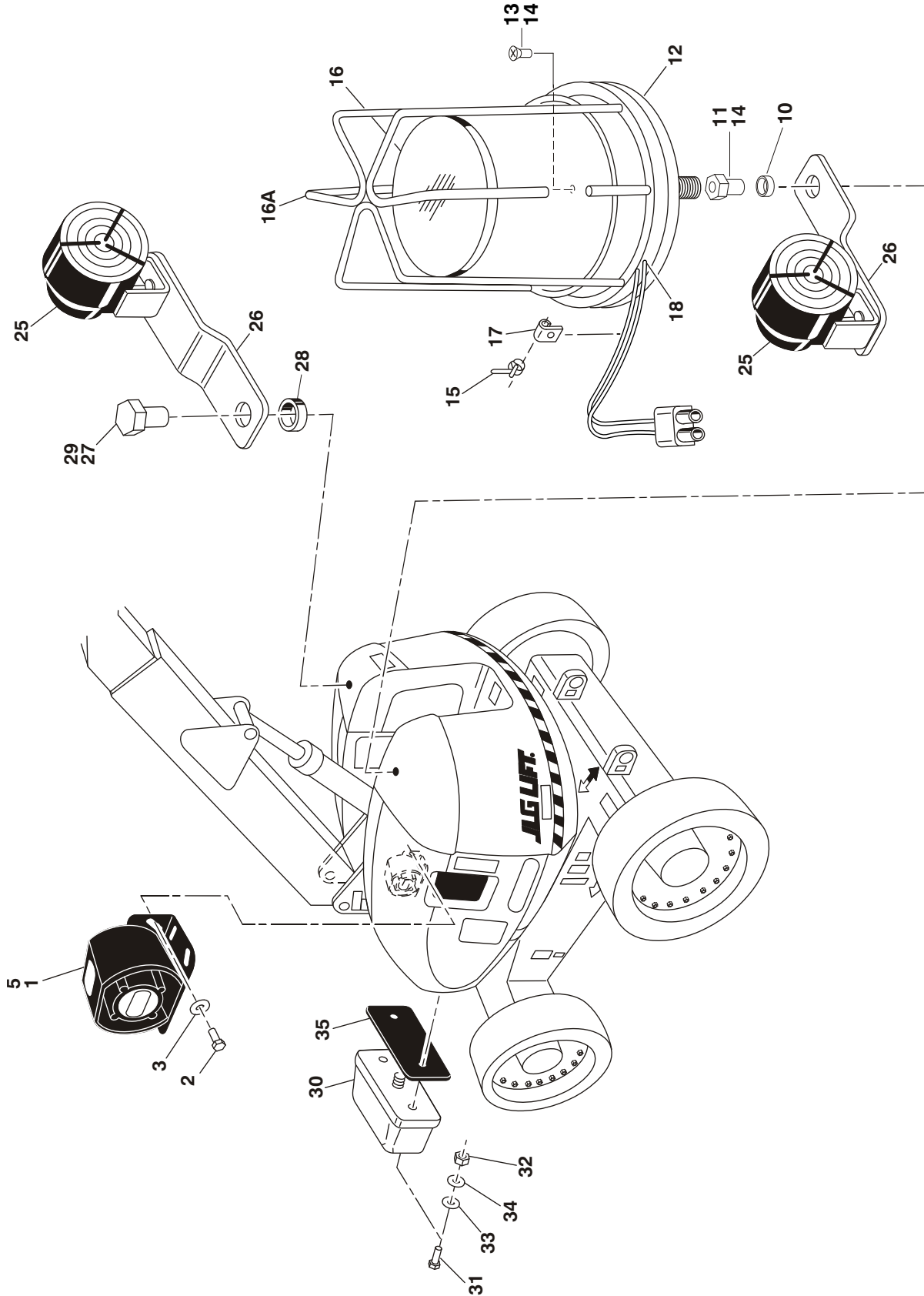
**S
E
C
T
I
O
N

2

T
U
R
N
T
A
B
L
E**

SECTION 2 TURNTABLE

FIGURE 2-23. ELECTRICAL OPTIONS INSTALLATION (TURNTABLE MOUNTED)



SECTION 2 TURNTABLE

FIGURE 2-23. ELECTRICAL OPTIONS INSTALLATION (TURNTABLE MOUNTED)

FIG & ITEM #	PART NUMBER	DESCRIPTION	QTY.	REV.
		ELECTRICAL OPTIONS INSTALLATIONS (TURNTABLE MOUNTED)	Ref	
	0258674	ALARMS INSTALLATIONS	Ref	1
1	0257887	Alarm/Harness Assembly	1	
	0140032	Alarm	1	
	2820035	Loom	6in/15cm	
	4460424	Plug	1	
	4460268	Socket	2	
2	0641508	Bolt 5/16in-18NC x 1in	2	
3	4711500	Flatwasher 5/16in Narrow	2	
4	Not Used			
5	0100048	Sealant, Silicone	AR	
6 to 9	Not Used			
		STROBE LIGHT INSTALLATIONS (AMBER) (OPTIONAL)	Ref	
	0257885	PRIOR TO SN 0300064432	Ref	2
	0271422	SN 0300064432 TO SN 0300069000	Ref	1
		Note: If machine is equipped with BLUE Strobe Light, see Section 10 SkyGuard Kit.	Ref	
10	4220162	Spacer, Stop (Used with ECCO Model 6640 Only)	1	
11		Adapter Options:	1	
	0630491	Adapter - Used with ECCO Model 6640		
	0080241	Adapter - Used with ECCO Model 6650		
12	3539281	Plate, Mounting (Used with ECCO Model 6640 Only)	1	
13	0741606	Screw, Flathead Countersunk 3/8in-16NC x 3/4in (Used with ECCO Model 6640 Only)	1	
14	0100011	Compound, Locking	AR	
15	4240032	Wire-Tile	1	
16	Use 0272507	Strobe Light/Guard/Harness Assembly (was p/n 0255917)	1	
		Bulb, Replacement Options:	1	
	7016380	Bulb for ECCO Model 6640		
	70001941	Bulb for with ECCO Model 6650		
16A		Guard Options:	1	
	4060907	Guard - Used with ECCO Model 6640		
	2920215	Guard - Used with ECCO Model 6650		
17	4460234	Clamp	1	
18	0100048	Sealant, Silicone	AR	
		LIGHTS INSTALLATIONS (OPTIONAL)	Ref	
	0257884	Prior to SN 0300064432	Ref	1
	0271768	SN 0300064432 to SN 0300069000	Ref	2
25	2920110	Headlight	2	
26	0902206	Bracket, Mounting	2	
27	0642612	Bolt 1in-8NC x 1-1/2in	1	

SECTION 2 TURNTABLE

FIGURE 2-23. ELECTRICAL OPTIONS INSTALLATION (TURNTABLE MOUNTED) (CONTINUED)

SECTION 2 TURNTABLE

FIG & ITEM #	PART NUMBER	DESCRIPTION	QTY.	REV.
28	4220162	Spacer	2	
29	0100011	Compound, Locking	AR	
30	2920113	Taillight	2	
31	3911040	Screw, Machine #10-24NC x 2-1/2in	4	
32	3311005	Nut #10-24NC	4	
33	4751000	Flatwasher #10	4	
34	4740362	Washer, Fender	4	
35	3960461	Gasket	2	
36	Not Used			
37	4240032	Tie-Strap (Not Shown)	12	
38	4460234	Mount, Tie-Strap (Not Shown)	12	
39	4360336	Switch, Toggle (Not Shown - Located on Console)	1	
40	3790012	O-Ring (Not Shown - Located on Console)	1	

SECTION 2 TURNTABLE

FIGURE 2-23. ELECTRICAL OPTIONS INSTALLATION (TURNTABLE MOUNTED) (CONTINUED)

FIG & ITEM #	PART NUMBER	DESCRIPTION	QTY.	REV.

**S
E
C
T
I
O
N

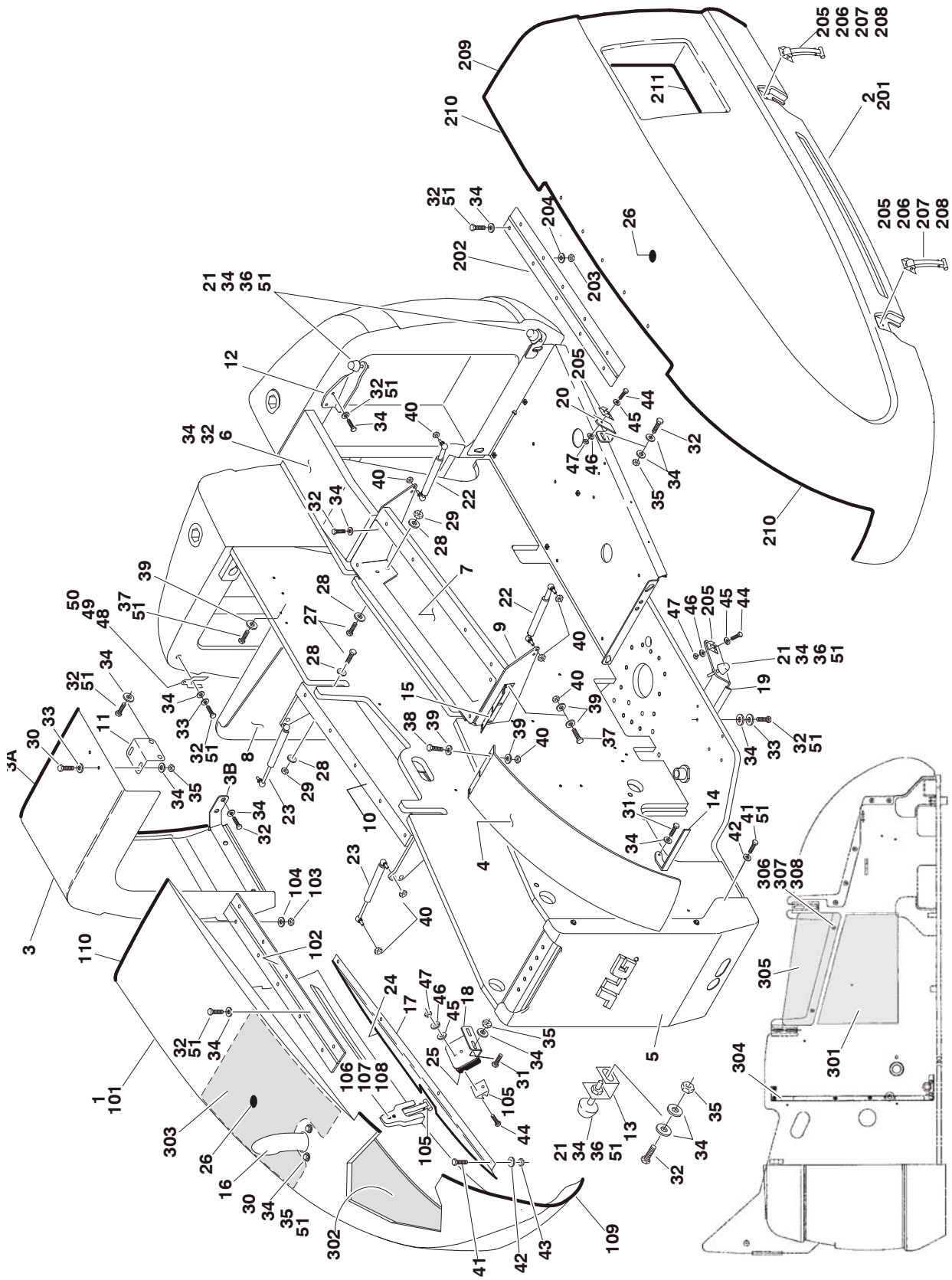
2

T
U
R
N
T
A
B
L
E**

SECTION 2 TURNTABLE

FIGURE 2-24. HOODS INSTALLATION

EXPANDED SECTION 2 NOTICES



SECTION 2 TURNTABLE

FIGURE 2-24. HOODS INSTALLATION

FIG & ITEM #	PART NUMBER	DESCRIPTION	QTY.	REV.
	0258609	HOODS INSTALLATION (DEUTZ/FORD)	Ref	3/C
	0270264	HOODS INSTALLATION (ISUZU)	Ref	1/A
1	2680451	Hood Assembly - Engine Side (See Items 101-110 for Breakdown) Note: Replacement decals must be ordered separately - See DECAL SECTION.	1 Ref	
2	2680448	Hood Assembly - Tank Side (See Items 201-211 for Breakdown) Note: Replacement decals must be ordered separately - See DECAL SECTION.	1 Ref	
3	2680450	Hood Assembly- Engine Spacer	1	
3A	3960453	Seal	68in/1.73m	
3B	7023366	Bracket	1	
4	3380444	Panel, Adapter	1	
5	1670842	Cover, Turntable End	1	
6	3380442	Cover, Top (Tank Side)	1	
7	3380443	Cover/Bracket Weldment (Tank Side)	1	
8	3539979	Plate, Baffle	1	
9	0902412	Bracket, Hood Mounting (Tank Side)	1	
10	0902351	Bracket, Hood Mounting (Engine Side)	1	
11	0902161	Bracket, Hood Spacer Mounting (Engine Side)	1	
12	0902426	Bracket, Bumper - Counterweight Mounted	1	
13	0902219	Bracket, Bumper	2	
14	0362770	Bar, Panel Mounting	1	
15	2600244	Adapter, Panel Hinge	1	
16		Exhaust Tube Weldment Options:	1	
	4845411	Deutz/Ford		
	4846257	Isuzu		
17	3539934	Plate, Seal	1	
18	0902491	Bracket, Latch (Engine Side)	1	
19	0902223	Bracket, Latch (Tank Side)	1	
20	0902143	Bracket, Latch Tank Side)	1	
21	0940071	Bumper	6	
22	4160139	Spring, Gas (Tank Side)	1	
23	4160143	Spring, Gas (Engine Side)	1	
24	3960389	Seal	3.5ft/1m	
25	3960470	Seal, Latch	1	
26	3520033	Plug, Hole	2	
27	0630507	Bolt, Carriage 1/2in-13NC x 1-1/4in	6	
28	4740171	Washer, Hardened	6	
29	3311805	Locknut 1/2in-13NC	6	
30	3900232	Screw, Button Head 3/8in-16NC x 1-1/4in	5	
31	0641609	Bolt 3/8in-16NC x 1-1/8in	5	
32	0641608	Bolt 3/8in-16NC x 1in	26	
33	4740076	Washer, Fender	5	
34	4751600	Flatwasher 3/8in	56	
35	3311605	Locknut 3/8in-16NC	10	
36	3311601	Nut 3/8in-16NC	12	

SECTION 2 TURNTABLE

FIGURE 2-24. HOODS INSTALLATION (CONTINUED)

SECTION 2 TURNTABLE

FIG & ITEM #	PART NUMBER	DESCRIPTION	QTY.	REV.
37	0641508	Bolt 5/16in-18NC x 1in	17	
38	3900210	Screw, Button Head 5/16in-18NC x 3/4in	3	
39	4751500	Flatwasher 5/16in	26	
40	3311505	Locknut 5/16in-18NC	10	
41	0641406	Bolt 1/4in-20NC x 3/4in	4	
42	4751400	Flatwasher 1/4in	4	
43	3311405	Locknut 1/4in-20NC	4	
44	0721006	Screw #10-24NC x 3/4in	6	
45	4751000	Flatwasher #10	6	
46	4761000	Lockwasher #10	6	
47	3311001	Nut #10-24NC	6	
48	4070410	Shim 1/16in	AR	
49	4070411	Shim 1/8in	AR	
50	4070412	Shim 3/16in	AR	
51	0100011	Compound, Locking	AR	
	2680451	HOOD ASSEMBLY (ENGINE SIDE)	Ref	A
101	2680436	Hood	1	
102	2600209	Hinge	1	
103	3311605	Locknut 3/8in-16NC	4	
104	4751600	Flatwasher 3/8in	4	
105	2940088	Latch	1	
106	0721008	Screw, Machine #10-24NC x 1in	2	
107	4751000	Flatwasher #10	2	
108	3311005	Locknut #10-24NC	2	
109	3960464	Seal	65in/1.67m	
110	3960462	Seal	61in/1.55m	
	2680448	HOOD ASSEMBLY (TANK SIDE)	Ref	A
201	2680437	Hood	1	
202	2600233	Hinge	1	
203	3311605	Locknut 3/8in-16NC	5	
204	4711600	Flatwasher 3/8in Narrow	5	
205	2940088	Latch	2	
206	0721008	Screw, Machine #10-24NC x 1in	4	
207	4751000	Flatwasher #10	4	
208	3311005	Locknut #10-24NC	4	
209	3960462	Seal	53in/1.35m	
210	3960464	Seal	83in/2.11m	
211	3960438	Seal	55in/1.4m	
	0256823	NOISE REDUCTION INSTALLATION (DEUTZ ENGINE MACHINES)	Ref	—
301	2820078	Foam, Acoustical (Turntable Side)	1	
302	2820079	Foam, Acoustical (Hood Side)	1	
303	2820080	Foam, Acoustical (Hood Top)	1	

SECTION 2 TURNTABLE

FIGURE 2-24. HOODS INSTALLATION (CONTINUED)

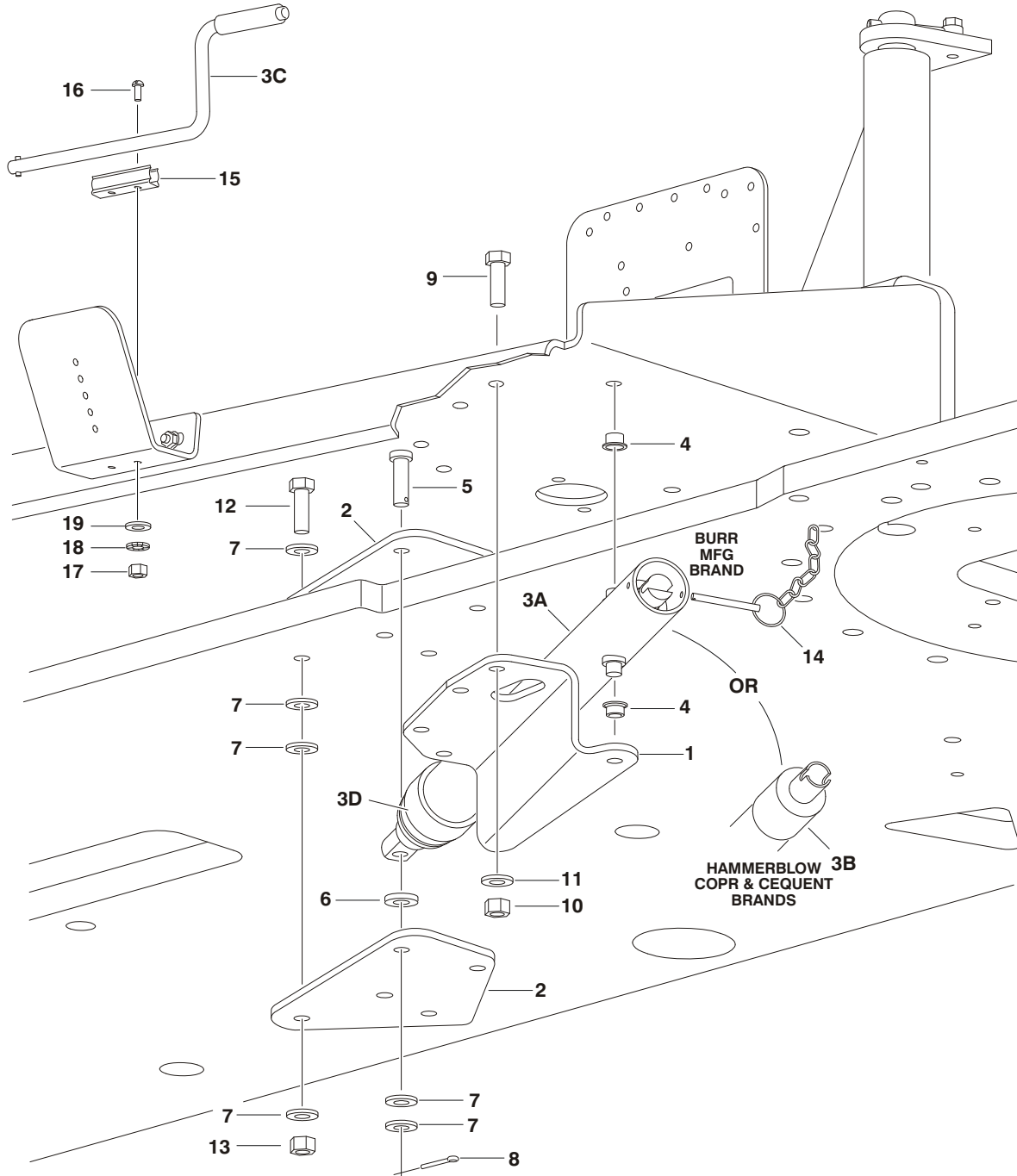
FIG & ITEM #	PART NUMBER	DESCRIPTION	QTY.	REV.
304	2820081	Foam, Acoustical (Located on #8)	1	
305	3539955	Plate, Baffle	1	
306	0641506	Bolt 5/16in-18NC x 3/4in	2	
307	4751500	Flatwasher 5/16in	2	
308	0100011	Compound, Locking	AR	

SECTION 2 TURNTABLE

SECTION 2 TURNTABLE

FIGURE 2-25. ENGINE TRAY JACK INSTALLATION (OPTIONAL)

SECTION 2 TURNTABLE



SECTION 2 TURNTABLE

FIGURE 2-25. ENGINE TRAY JACK INSTALLATION (OPTIONAL)

FIG & ITEM #	PART NUMBER	DESCRIPTION	QTY.	REV.
	0258728	ENGINE TRAY JACK INSTALLATION	Ref	1/B
1	3537445	Bracket	1	
2	3537446	Bracket	2	
3	2840016	Jack and Handle Assembly Options:	1	D
3A		Burr Manufacturing Brand		
3B		Hammerblow Corp Brand		
3C		Handle Options:	1	
	7016374	Burr Manufacturing Brand		
	7024598	Hammerblow Corp Brand		
3D	7016322	Wiper (Burr Manufacturing Brand Only)	1	
4	0962051	Bearing, Flange	2	
5	3430816	Pin, Clevis	1	
6	4891800	Washer, Hardened	1	
7	4711800	Flatwasher 1/2in Narrow	6	
8	3450404	Pin, Cotter 1/8in x 1in	1	
9	0641609	Bolt 3/8in-16NC x 1-1/8in	4	
10	3311605	Locknut 3/8in-16NC	4	
11	4891600	Washer, Hardened	4	
12	0641818	Bolt 1/2in-13NC x 2-1/4in	4	
13	3311805	Locknut 1/2in-13NC	4	
14	3422530	Pin, Hitch	1	
15	1380147	Clip, Spring	1	
16	3910608	Screw, Round Head #6-32NC x 1in	2	
17	3310601	Nut #6-32NC	2	
18	4770600	Starwasher #6	2	
19	4740119	Washer, Aluminum	2	

SECTION 2 TURNTABLE

SECTION 2 TURNTABLE

FIGURE 2-25. ENGINE TRAY JACK INSTALLATION (OPTIONAL) (CONTINUED)

**S
E
C
T
I
O
N

2

T
U
R
N
T
A
B
L
E**

FIG & ITEM #	PART NUMBER	DESCRIPTION	QTY.	REV.

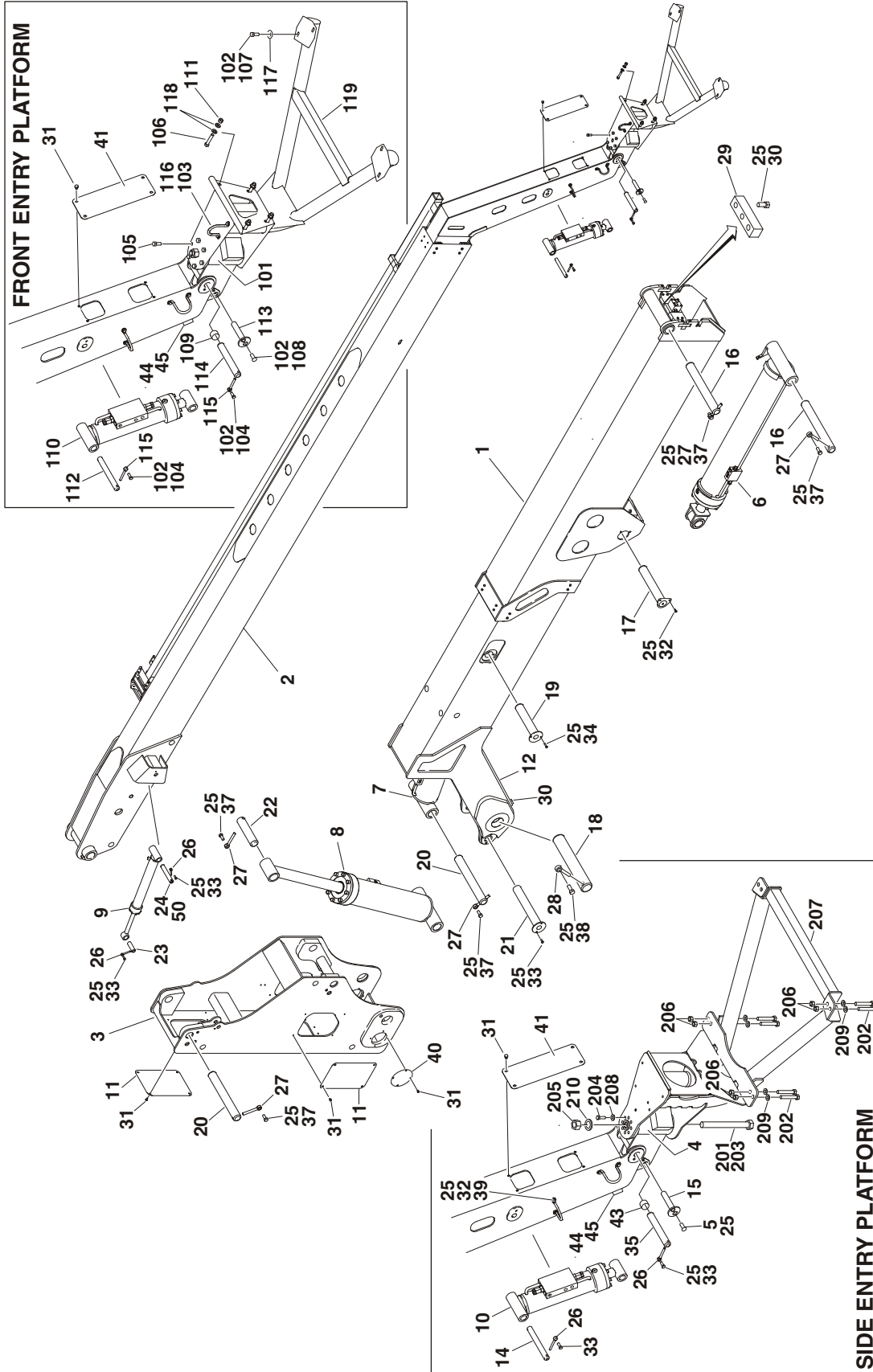
SECTION 3 BOOM

TABLE OF CONTENTS

FIGURE	DESCRIPTION	PAGE
3-1	BOOM AND CYLINDER INSTALLATION - 800A	3-2
3-2	BOOM AND CYLINDER INSTALLATION - 800AJ	3-6
3-3	TOWER BOOM ASSEMBLY	3-10
3-4	MAIN BOOM ASSEMBLIES	3-14
3-5	ROTATOR ASSEMBLIES (FRONT ENTRY PLATFORM)	3-18
3-6	ROTATOR ASSEMBLIES (SIDE ENTRY PLATFORM)	3-22
3-7	VALVE AND LIMIT SWITCH INSTALLATIONS (BOOM MOUNTED)	3-24

SECTION 3 BOOM

FIGURE 3-1. BOOM AND CYLINDER INSTALLATION - 800A



MOORE ZOOMS

SECTION 3 BOOM

FIGURE 3-1. BOOM AND CYLINDER INSTALLATION - 800A

FIG & ITEM #	PART NUMBER	DESCRIPTION	QTY.	REV.
		BOOMS AND CYLINDERS INSTALLATIONS	Ref	
	0257760	FRONT ENTRY PLATFORM	Ref	E
	0272381	SIDE ENTRY PLATFORM	Ref	A
1	0801132	Boom Assembly -Tower (See TOWER BOOM ASSEMBLY for Breakdown)	1	
2	0801135	Boom Assembly - Main (See MAIN BOOM ASSEMBLIES for Breakdown)	1	
3	4845593	Upright Weldment	1	
4		Rotator Actuator Assembly Options:	1	
	See Note	Front Entry Platform (Note: See Item 101)		
	0060069	Side Entry Platform (See ROTATOR ASSEMBLIES for Breakdown)		
5	0741607	Screw, Countersunk 3/8in-16NC x 7/8in	1	
6	1683537	Lift Cylinder Assembly - Tower Boom (See CYLINDER SECTION for Breakdown)	1	
7	Use 1684497	Level Cylinder Assembly - Upright (See CYLINDER SECTION for Breakdown) (was p/n 1683546)	1	
8	1683547	Lift Cylinder Assembly - Main Boom (See CYLINDER SECTION for Breakdown)	1	
9	1683608	Master Cylinder Assembly (See CYLINDER SECTION for Breakdown)	1	
10	Use 1684408	Slave Cylinder Assembly (See CYLINDER SECTION for Breakdown) (was p/n 1683610)	1	
11	1670844	Cover, Upright	4	
12	1670850	Cover, Tower Fly	1	
13	Not Used			
14	3422578	Pin	1	
15	3422580	Pin	1	
16	3422681	Pin	2	
17	3422729	Pin	1	
18	3422683	Pin	1	
19	3422684	Pin	1	
20	3422685	Pin	2	
21	3422686	Pin	1	
22	3422687	Pin	1	
23	3422688	Pin	1	
24	3422689	Pin	1	
25	0100011	Compound, Locking	AR	
26	3841143	Keeper, Pin	2	
27	3841287	Keeper, Pin	5	
28	3841356	Keeper, Pin	1	
29	3340835	Pad, Rest	1	
30	0641404	Bolt 1/4in-20NC x 1/2in	4	
31	0641604	Bolt 3/8in-16NC x 1/2in	28	
32	0641606	Bolt 3/8in-16NC x 3/4in	6	
33	0641608	Bolt 3/8in-16NC x 1in	6	
34	0641611	Bolt 3/8in-16NC x 1-3/8in	2	
35	3422582	Pin	1	

SECTION 3 BOOM

SECTION 3 BOOM

FIGURE 3-1. BOOM AND CYLINDER INSTALLATION - 800A (CONTINUED)

FIG & ITEM #	PART NUMBER	DESCRIPTION	QTY.	REV.
36	0641820	Bolt 1/2in-13NC x 2-1/2in	3	
37	0642214	Bolt 3/4in-10NC x 1-3/4in	5	
38	0642620	Bolt 1in-8NC x 2-1/2in	1	
39	3841340	Rod, Hose Loop	1	
40	1120510	Cover, Upright	1	
41	1670864	Cover, Fly Hose	1	
42	Not Used			
43	0961951	Bearing, Garmax	2	
44	0641514	Bolt 5/16in-18NC x 1-3/4in	1	
45	1320159	Clamp	1	
46 to 49	Not Used			
50	3900239	Setscrew 3/8in-16NC x 1/2in	1	
	0258765	ROTATOR AND SUPPORT INSTALLATION (FRONT ENTRY PLATFORM)	Ref	C
101	Use 0060077	Rotator Actuator Assembly (was p/n 0060041) (See ROTATOR ASSEMBLIES for Breakdown)	1	
102	0100011	Compound, Locking	AR	
103	0641606	Bolt 3/8in-16NC x 3/4in	2	
104	0641608	Bolt 3/8in-16NC x 1in	2	
105	0641810	Bolt 1/2in-13NC x 1-1/4in	6	
106	0641820	Bolt 1/2in-13NC x 2-1/2in	4	
107	0681610	Bolt 3/8in-16NC x 1-1/4in (Grade 8)	4	
108	0741607	Screw, Countersunk 3/8in-16NC x 7/8in	1	
109	0961951	Bearing, Garmax	2	
110	Use 1684408	Slave Cylinder Assembly (See CYLINDER SECTION for Breakdown) (was p/n 1683610)	1	
111	3311805	Locknut 1/2in-13NC	4	
112	3422578	Pin	1	
113	3422580	Pin	1	
114	3422582	Pin	1	
115	3841143	Keeper, Pin	2	
116	3841340	Rod, Hose Loop	1	
117	4711600	Flatwasher 3/8in Narrow	4	
118	4711800	Flatwasher 1/2in Narrow	8	
119	4845703	Support Weldment	1	
	0272070	PLATFORM SUPPORT INSTALLATION (SIDE ENTRY PLATFORM)	Ref	B
201	0100011	Compound, Locking	AR	
202	0641812	Bolt 1/2in-13NC x 1-1/2in	8	
203	0642682	Bolt 1in-8NC x 10-1/4in	1	
204	0681608	Bolt 3/8in-16NC x 1in	8	
205	3272605	Locknut 1in-8NC	1	
206	3311805	Locknut 1/2in-13NC	8	
207	4846573	Support Weldment	1	
208	4891600	Flatwasher 3/8in (Hardened)	8	

SECTION 3 BOOM

SECTION 3 BOOM

FIGURE 3-1. BOOM AND CYLINDER INSTALLATION - 800A (CONTINUED)

FIG & ITEM #	PART NUMBER	DESCRIPTION	QTY.	REV.
209	4891800	Flatwasher 1/2in (Hardened)	8	
210	4892600	Flatwasher 1in (Hardened)	1	

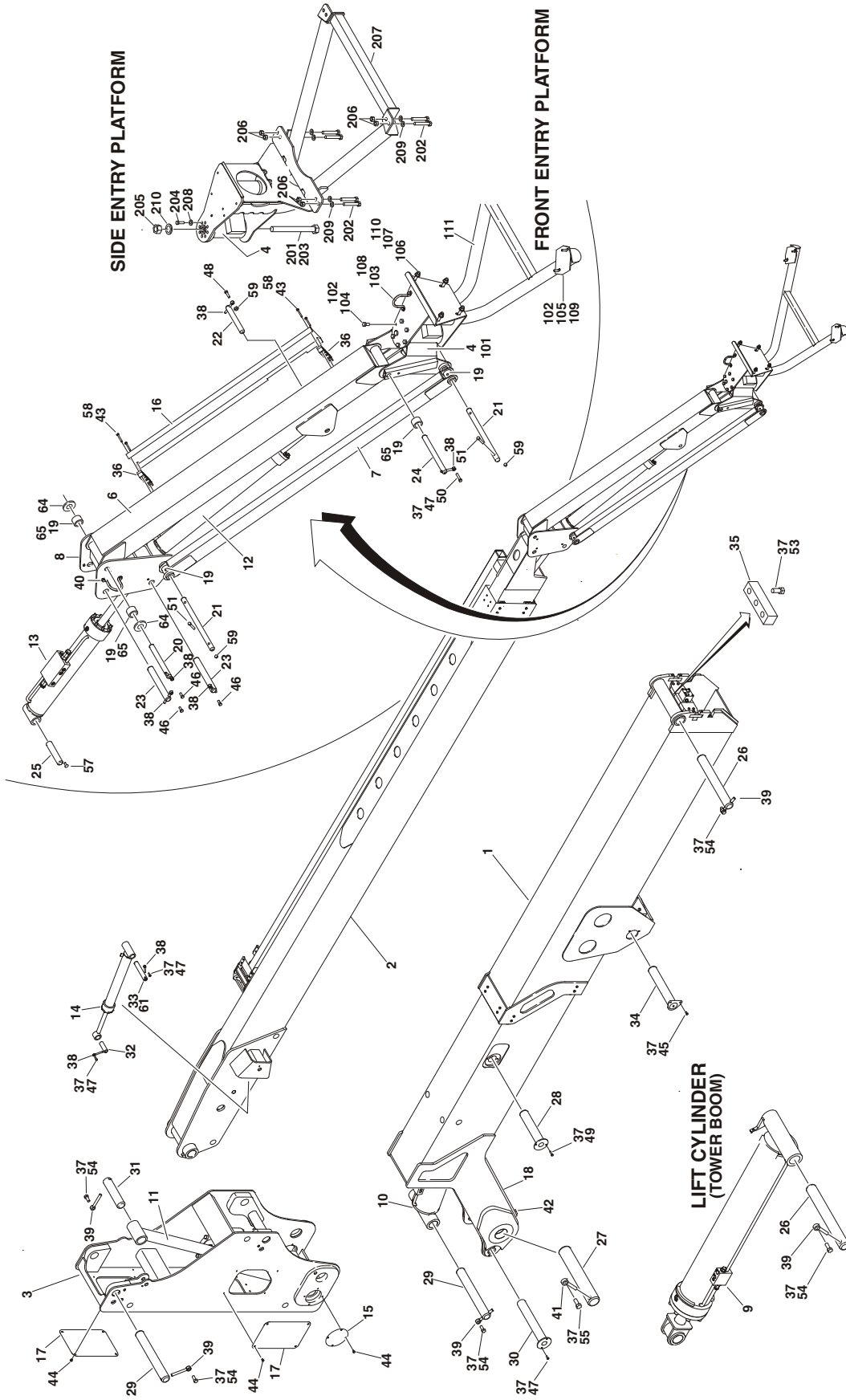
**S
E
C
T
I
O
N

3

B
O
O
M**

SECTION 3 BOOM

FIGURE 3-2. BOOM AND CYLINDER INSTALLATION - 800AJ



MOORE 3 ZONE-HOMS

SECTION 3 BOOM

FIGURE 3-2. BOOM AND CYLINDER INSTALLATION - 800AJ

FIG & ITEM #	PART NUMBER	DESCRIPTION	QTY.	REV.
		BOOMS AND CYLINDERS INSTALLATION	Ref	
	0257761	FRONT ENTRY PLATFORM	Ref	C
	0272131	SIDE ENTRY PLATFORM	Ref	B
1	0801132	Boom Assembly -Tower (See TOWER BOOM ASSEMBLY for Breakdown)	1	
2	0801136	Boom Assembly - Main (See MAIN BOOM ASSEMBLIES for Breakdown)	1	
3	4845593	Upright Weldment	1	
4		Rotator Actuator Assembly Options:	1	
	Use 1001103095	Front Entry Platform (was p/n 0060031) (See ROTATOR ASSEMBLIES for Breakdown)		
	0060066	Side Entry Platform (See ROTATOR ASSEMBLIES for Breakdown)		
5	Not Used			
6	4844816	Tube Weldment - Jib Top	1	
7	4844817	Tube Weldment - Jib Bottom	2	
8	4845716	Pivot Weldment	1	
9	1683537	Lift Cylinder Assembly - Tower Boom (See CYLINDER SECTION for Breakdown)	1	
10	Use 1684497	Level Cylinder Assembly - Upright (See CYLINDER SECTION for Breakdown) (was p/n 1683546)	1	
11	1683547	Lift Cylinder Assembly - Main Boom (See CYLINDER SECTION for Breakdown)	1	
12	1683609	Lift Cylinder Assembly - Jib (See CYLINDER SECTION for Breakdown)	1	
13	Use 1684228	Slave Cylinder Assembly (See CYLINDER SECTION for Breakdown) (was p/n 1683677)	1	
14	1683682	Master Cylinder Assembly (See CYLINDER SECTION for Breakdown)	1	
15	1120510	Cover, Upright	4	
16	1670769	Cover, Cable	1	
17	1670844	Cover, Upright	4	
18	1670850	Cover, Tower Fly	1	
19	0961947	Bearing, Garmax	AR	
20		Pin Options:	1	
	3422558	Prior to SN 0300054012		
	3422860	SN 0300054012 to SN 0300069000		
21		Pin Options:	2	
	3422559	Prior to SN 0300054012		
	3422861	SN 0300054012 to SN 0300069000		
22		Pin Options:	1	
	3422560	Prior to SN 0300054012		
	3422867	SN 0300054012 to SN 0300069000		
23	3422561	Pin	2	
24		Pin Options:	1	
		Front Entry		
	3422563	Production (10-3/4in Length)		
	3422860	For Service Replacement Rotator (9-7/16in Length)		
	3422860	Side Entry Platform		

SECTION 3 BOOM

SECTION 3 BOOM

FIGURE 3-2. BOOM AND CYLINDER INSTALLATION - 800AJ (CONTINUED)

FIG & ITEM #	PART NUMBER	DESCRIPTION	QTY.	REV.
25	3422583	Pin	1	
26	3422681	Pin	2	
27	3422683	Pin	1	
28	3422684	Pin	1	
29	3422685	Pin	2	
30	3422686	Pin	1	
31	3422687	Pin	1	
32	3422688	Pin	1	
33	3422689	Pin	1	
34	3422729	Pin	1	
35	3340835	Pad, Rest	1	
36	0561237	Clamp, Block	2	
37	0100011	Compound, Locking	AR	
38	3841143	Keeper, Pin	7	
39	3841287	Keeper, Pin	5	
40	3841340	Rod, Hose Loop	1	
41	3841356	Keeper, Pin	1	
42	0641404	Bolt 1/4in-20NC x 1/2in	4	
43	0641416	Bolt 1/4in-20NC x 2in	4	
44	0641604	Bolt 3/8in-16NC x 1/2in	24	
45	0641606	Bolt 3/8in-16NC x 3/4in	4	
46	0641607	Bolt 3/8in-16NC x 7/8in	3	
47	0641608	Bolt 3/8in-16NC x 1in	AR	
48	0641611	Bolt 3/8in-16NC x 1-3/8in	1	
49	0641612	Bolt 3/8in-16NC x 1-1/2in	2	
50	0641614	Bolt 3/8in-16NC x 1-3/4in	1	
51	0641618	Bolt 3/8in-16NC x 2-1/4in	4	
52	Not Used			
53	0641820	Bolt 1/2in-13NC x 2-1/2in	3	
54	0642214	Bolt 3/4in-10NC x 1-3/4in	5	
55	0642620	Bolt 1in-8NC x 2-1/2in	1	
56	Not Used			
57	0741607	Screw, Countersunk 3/8in-16NC x 7/8in	1	
58	2080044	Rivnut 1/4in-20NC	4	
59	3311605	Locknut 3/8in-16NC	5	
60	Not Used			
61	3900239	Setscrew 3/8in-16NC x 1/2in	1	
62 to 63	Not Used			
64	4740439	Washer, Thrust	2	
65	0962335	Bearing, Garmax (SN 0300054012 to SN 0300069000)	4	
	0258766	ROTATOR AND SUPPORT INSTALLATION (FRONT ENTRY PLATFORM)	Ref	C
101	See Item 4	Rotator Actuator Assembly (See ROTATOR ASSEMBLIES for Breakdown)	1	
102	0100011	Compound, Locking	AR	
103	0641606	Bolt 3/8in-16NC x 3/4in	2	
104	0641810	Bolt 1/2in-13NC x 1-1/4in	6	

SECTION 3 BOOM

SECTION 3 BOOM

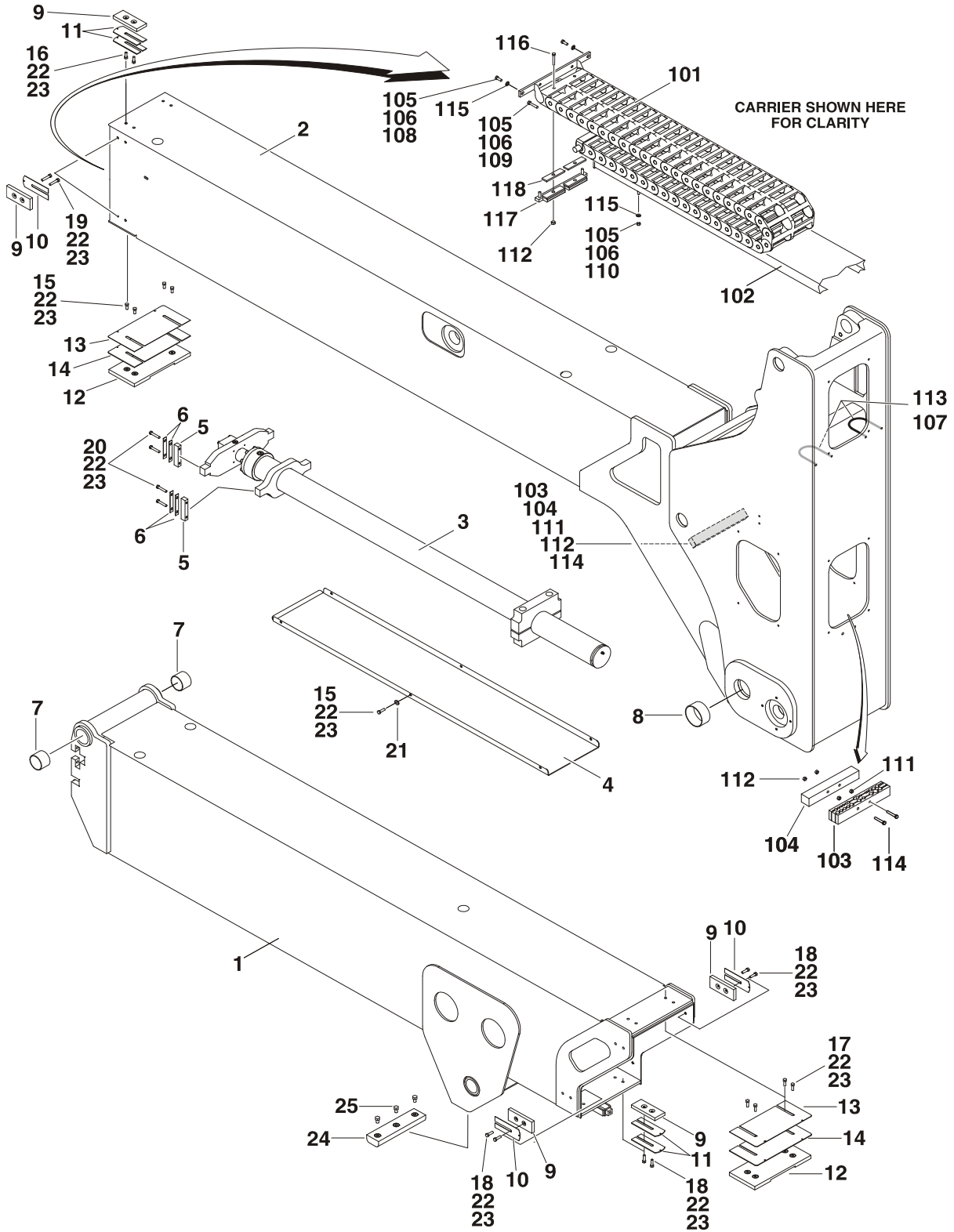
FIGURE 3-2. BOOM AND CYLINDER INSTALLATION - 800AJ (CONTINUED)

FIG & ITEM #	PART NUMBER	DESCRIPTION	QTY.	REV.
105	0681610	Bolt 3/8in-16NC x 1-1/4in (Grade 8)	4	
106	0641820	Bolt 1/2in-13NC x 2-1/2in	4	
107	3311805	Locknut 1/2in-13NC	4	
108	3841340	Rod, Hose Loop	1	
109	4711600	Flatwasher 3/8in Narrow	4	
110	4711800	Flatwasher 1/2in Narrow	8	
111	4844790	Support Weldment	1	
	0272070	PLATFORM SUPPORT INSTALLATION (SIDE ENTRY PLATFORM)	Ref	B
201	0100011	Compound, Locking	AR	
202	0641812	Bolt 1/2in-13NC x 1-1/2in	8	
203	0642682	Bolt 1in-8NC x 10-1/4in	1	
204	0681608	Bolt 3/8in-16NC x 1in	8	
205	3272605	Locknut 1in-8NC	1	
206	3311805	Locknut 1/2in-13NC	8	
207	4846573	Support Weldment	1	
208	4891600	Flatwasher 3/8in (Hardened)	8	
209	4891800	Flatwasher 1/2in (Hardened)	8	
210	4892600	Flatwasher 1in (Hardened)	1	

SECTION 3 BOOM

SECTION 3 BOOM

FIGURE 3-3. TOWER BOOM ASSEMBLY



SECTION 3 BOOM

SECTION 3 BOOM

FIGURE 3-3. TOWER BOOM ASSEMBLY

FIG & ITEM #	PART NUMBER	DESCRIPTION	QTY.	REV.
	0801132	TOWER BOOM ASSEMBLY	Ref	C
1	0801133	Base Weldment	1	
2	0801134	Fly Weldment	1	
3	1683606	Cylinder Assembly - Tower Telescope (See CYLINDER SECTION for Breakdown)	1	
4	4340706	Support	1	
5	0561185	Block, Attach	4	
6	4070929	Shim 1/16in	8	
7	0962102	Bushing, Garmax	2	
8	0962122	Bushing, Garmax	2	
9		Pad, Wear Options:	12	
	3340756	Prior to SN 0300064695		
	3340881	SN 0300064695 to SN 0300069000		
10	4070897	Shim .05	8	
11	4070898	Shim .12	8	
12	3340828	Pad, Wear	2	
13	4070967	Shim .05	2	
14	4070968	Shim .12	2	
15	0641607	Bolt 3/8in-16NC x 7/8in	10	
16	0641608	Bolt 3/8in-16NC x 1in	4	
17	0641609	Bolt 3/8in-16NC x 1-1/8in	4	
18	0641610	Bolt 3/8in-16NC x 1-1/4in	12	
19	0641615	Bolt 3/8in-16NC x 1-7/8in	8	
20	0641616	Bolt 3/8in-16NC x 2in	8	
21	4711600	Flatwasher 3/8in Narrow	6	
22	0100011	Compound, Locking	AR	
23	0100038	Primer, Locking	AR	
24	3340835	Pad, Boom Rest	1	
25	0641806	Bolt 1/2in-13NC x 3/4in	3	
	0257764	POWER TRACK INSTALLATION	Ref	F
101	1180346	Carrier	1	
	7020064	Bracket, End (Moving)	1	
	7020065	Bracket, End (Fixed)	1	
	7020066	Section, Repair 1Foot	1	
	7020067	Link, Repair	1	
102	4845680	Hose Tube Weldment	1	
103	1320251	Clamp, Block	2	
104	1320250	Bar, Clamp	2	
105	0100011	Compound, Locking	AR	
106	0100038	Primer, Locking	AR	
107	0641605	Bolt 3/8in-16NC x 5/8in	4	
108	0641606	Bolt 3/8in-16NC x 3/4in	2	
109	0641622	Bolt 3/8in-16NC x 2-3/4in	2	
110	3311601	Nut 3/8in-16NC	4	
111	3311602	Nut, Jam 3/8in-16NC	2	

SECTION 3 BOOM

SECTION 3 BOOM

FIGURE 3-3. TOWER BOOM ASSEMBLY (CONTINUED)

FIG & ITEM #	PART NUMBER	DESCRIPTION	QTY.	REV.
112	3311605	Locknut 3/8in-16NC	4	
113	3841340	Rod, Hose Loop	2	
114	3900262	Bolt 3/8in16NC x 4-3/4in	4	
115	4711600	Flatwasher 3/8in Narrow	6	
116	0630539	Bolt 3/8in-16NC x 3-1/2in	2	
117		Clamp Assembly Options:	1	
	Use 0259420	Prior to SN 0300043680 (was qty 2 of p/n 1320252)		
	0259420	SN 0300043680 to SN 0300069000		
	3340859	Pad, Rubber	2	
118	3340859	Pad, Rubber	2	

SECTION 3 BOOM

SECTION 3 BOOM

FIGURE 3-3. TOWER BOOM ASSEMBLY (CONTINUED)

FIG & ITEM #	PART NUMBER	DESCRIPTION	QTY.	REV.

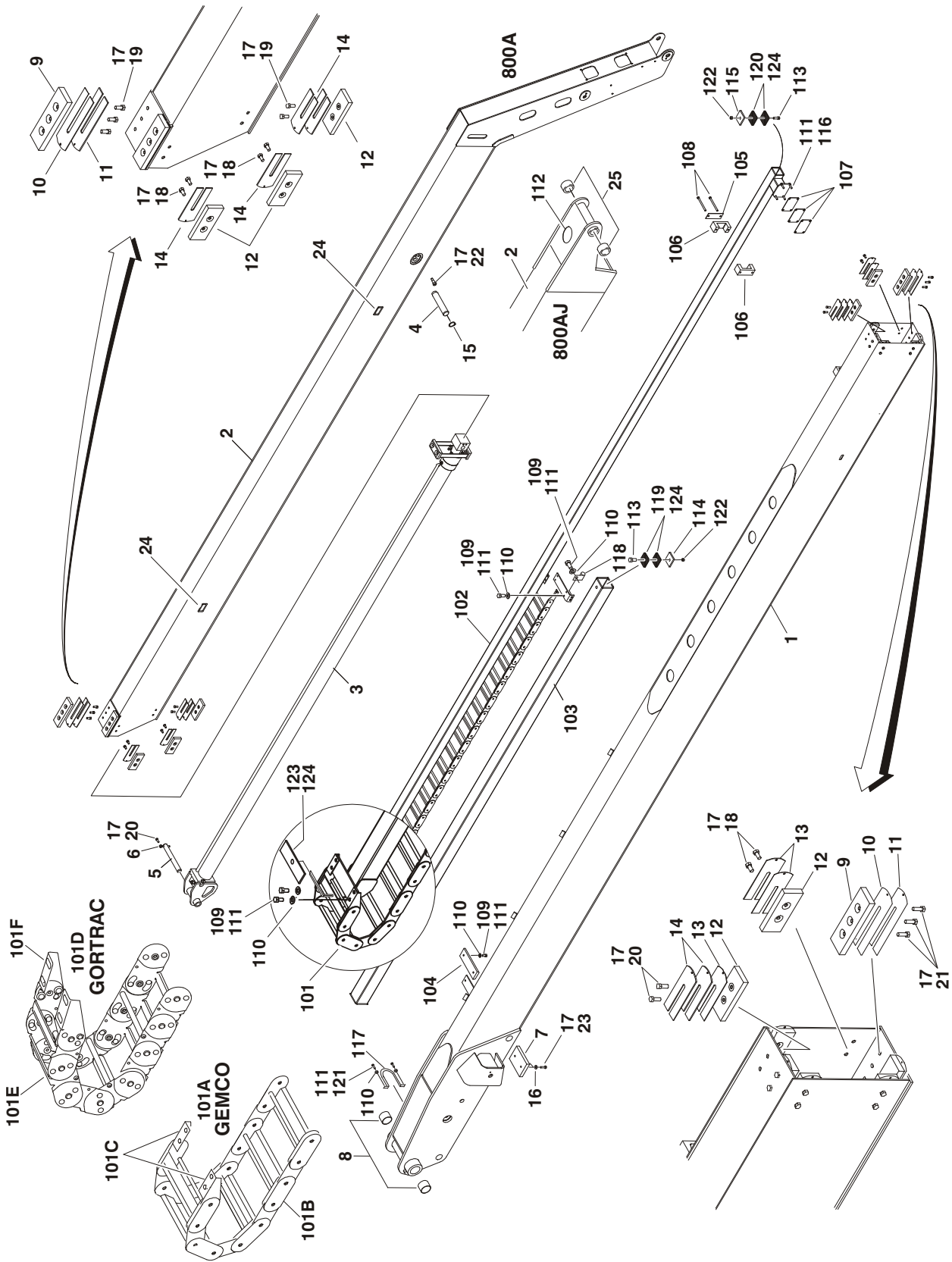
**S
E
C
T
I
O
N

3

B
O
O
M**

SECTION 3 BOOM

FIGURE 3-4. MAIN BOOM ASSEMBLIES



BOOM 3 ZONE-ICMS

SECTION 3 BOOM

FIGURE 3-4. MAIN BOOM ASSEMBLIES

FIG & ITEM #	PART NUMBER	DESCRIPTION	QTY.	REV.
		MAIN BOOM ASSEMBLY OPTIONS:	Ref	
	0801135	800A	Ref	E
	0801136	800AJ	Ref	E
1		Base Weldment Options:	1	
	Use 0801185	800A Prior to SN 0300042446 (was p/n 0801137)		
	0801185	800A SN 0300042446 to SN 0300069000		
	Use 0801191	800AJ Prior to SN 0300042446 (was p/n 0801139)		
	0801191	800AJ SN 0300042446 to SN 0300069000		
2		Fly Weldment Options:	1	
	0801138	800A		
	0801140	800AJ		
3		Telescope Cylinder Assembly Options:	1	
	1683607	800A		
	1683672	800AJ		
4	3422457	Pin	1	
5	3422690	Pin	1	
6	3841143	Keeper, Pin	1	
7	0561295	Block, Boom Rest	1	
8	0962102	Bushing, Garmax	2	
9		Pad, Wear Options:	4	
	3340705	Prior to SN 0300064695		
	3340871	SN 0300064695 to SN 0300069000		
10	4070863	Shim 1/8in	4	
11	4070864	Shim .05	4	
12		Pad, Wear Options:	12	
	3340756	Prior to SN 0300064695		
	3340881	SN 0300064695 to SN 0300069000		
13	4070897	Shim .05	10	
14	4070898	Shim 1/8in	12	
15	3760133	Ring, Retaining	2	
16	4711600	Flatwasher 3/8in Narrow	2	
17	0100011	Compound, Locking	AR	
18	0641606	Bolt 3/8in-16NC x 3/4in	16	
19	0641607	Bolt 3/8in-16NC x 7/8in	10	
20	0641608	Bolt 3/8in-16NC x 1in	5	
21	0641609	Bolt 3/8in-16NC x 1-1/8in	6	
22	3900259	Bolt, Shoulder	4	
23	0641612	Bolt 3/8in-16NC x 1-1/2in	2	
24	1670836	Cover, Boom	6	
25		Bushing, Garmax	A//R	
	Not Required	800A	0	
	0961951	800AJ	2	

SECTION 3 BOOM

SECTION 3 BOOM

FIGURE 3-4. MAIN BOOM ASSEMBLIES (CONTINUED)

FIG & ITEM #	PART NUMBER	DESCRIPTION	QTY.	REV.
		POWER TRACK INSTALLATION OPTIONS:	Ref	
	0258076	800A	Ref	G
	0258077	800AJ	Ref	F
101		Carrier Options:	1	
101A		Gemco Brand Power Track (Original Equipment)		
	Use	800A (was p/n 1180347)		
	1001099840			
	Use	800AJ(was p/n 1180349)		
	1001099837			
101B	7016522	Carrier Repair Section (1 foot length - Includes 1 Pin for each end)	AR	
	7016523	Rod Assembly (Includes 1 rod and hardware)	AR	
	7016529	Roller, Plastic Rod	AR	
	7006137	Link Pin Assembly	AR	
101C	7016524	Foot, Mounting (1 Pair)	2	
101D		Gortrac Brand Power Track (Service Replacement)	AR	
	1001099840	800A (was p/n 1180347)		
	1001099837	800AJ(was p/n 1180349)		
101E	70002013	Carrier Repair Section (2ft length - Includes 1 Pin Assembly for each end)	AR	
101F	70002014	Mounting Foot Kit (Includes Both Pair of Feet)	AR	
102		Push Tube Weldment	1	
	4845701	800A		
	4845729	800AJ		
103		Support	1	
	4845702	800A		
	4845730	800AJ		
104	3340840	Pad	1	
105	3538758	Plate, Backing	1	
106	3340764	Pad	2	
107	4070969	Shim	3	
108	0641640	Bolt 3/8in-16NC x 5in	2	
109	0641606	Bolt 3/8in-16NC x 3/4in	18	
110	4711600	Flatwasher 3/8in Narrow	22	
111	0100011	Compound, Locking	AR	
112		Flex-Trim	AR	
	Not Required	800A	0	
	4060805	800AJ	8in/20cm	
113	0641622	Bolt 3/8in-16NC x 2-3/4in	2	
114	1320248	Clamp, Hose	1	
115	1320249	Clamp, Hose	1	
116		Bolt Options:	4	
	0641607	800A (Bolt 3/8in-16NC x 7/8in)		
	0641612	800AJ (Bolt 3/8in-16NC x 1-1/2in)		
117	3841406	Loop, Hose	1	
118	1320263	Clamp, Loop	1	
119	3340860	Pad, Rubber	2	
120	3340861	Pad, Rubber	2	

SECTION 3 BOOM

SECTION 3 BOOM

FIGURE 3-4. MAIN BOOM ASSEMBLIES (CONTINUED)

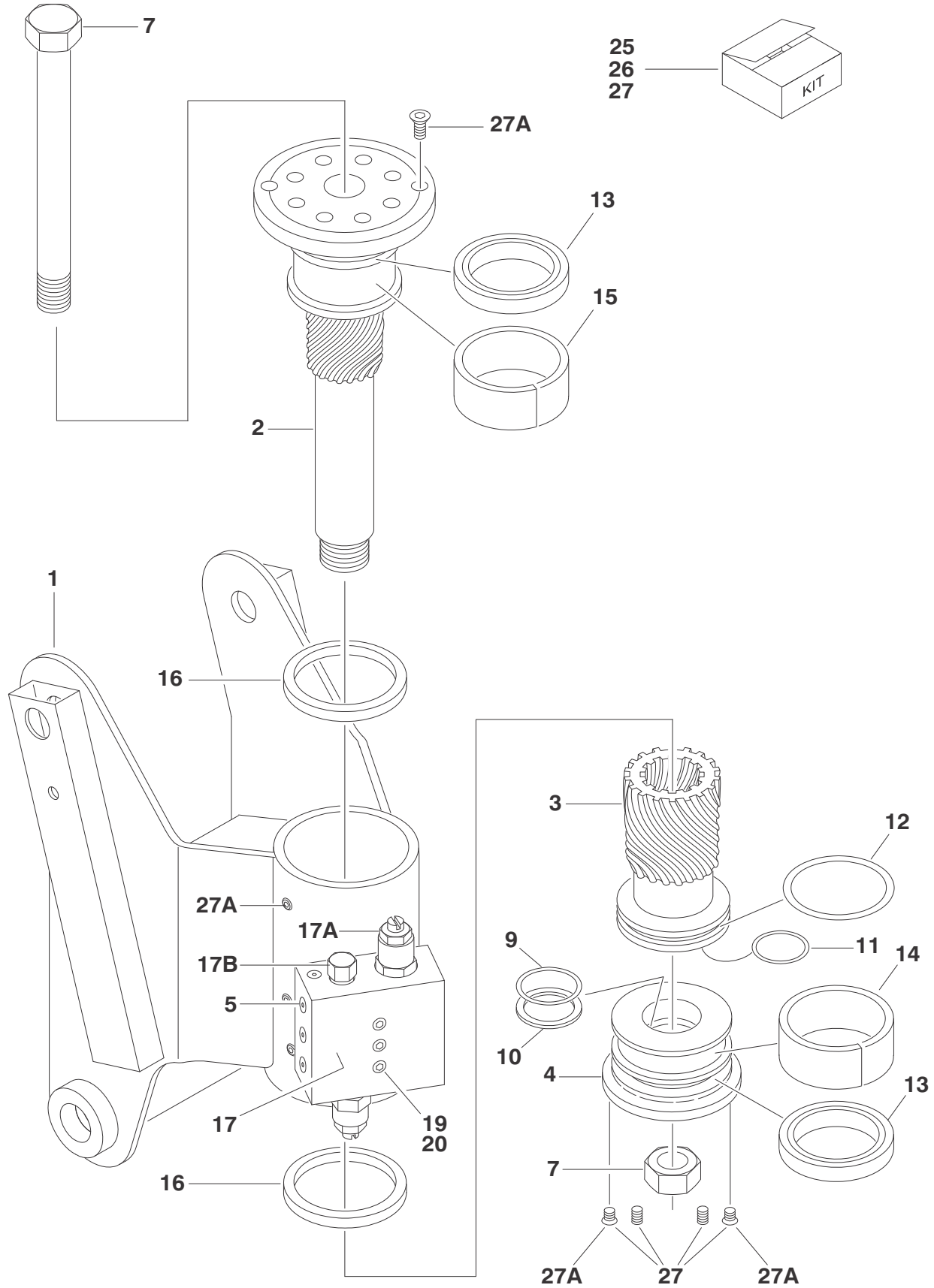
FIG & ITEM #	PART NUMBER	DESCRIPTION	QTY.	REV.
121	3900232	Screw, Button Head 3/8in-16NC x 1-1/4in	2	
122	3311605	Locknut 3/8in-16NC (SN 0300066130 to SN 0300069000)	2	
123	4071052	Shim (SN 0300066130 to SN 0300069000)	2	
124	0100081	Adhesive	AR	

SECTION
3
BOOM

SECTION 3 BOOM

FIGURE 3-5. ROTATOR ASSEMBLIES (FRONT ENTRY PLATFORM)

SECTION 3 BOOM



SECTION 3 BOOM

FIGURE 3-5. ROTATOR ASSEMBLIES (FRONT ENTRY PLATFORM)

FIG & ITEM #	PART NUMBER	DESCRIPTION	QTY.	REV.
		ROTATOR ASSEMBLIES	Ref	
		800A	Ref	
	0060041	Actual Production	Ref	G
	0060077	Recommended Replacement	Ref	B
		800AJ	Ref	
	0060031	Actual Production	Ref	I
	1001103095	Recommended Replacement Kit (contains 0060074 rotator, upper pin, keeper shaft, keeper shaft bolt & instruction sheet)	Ref	1
		Note: Before ordering parts, identify whether original equipment rotator has been replaced with service replacement. Service replacement rotator uses spacer plate bolted on the top with 8 capscrews (Not shown - located at item 2). Original equipment rotator does not use spacer plate.	Ref	
1	See Note	Housing/Ring Gear Assembly (Note: Not Available - Purchase Complete Assembly.)	1	
2		Shaft Weldment Options:	1	
	Use 7017177	0060041 & 0060031 Rotators (was p/n 7017117)		
	7017162	0060077 & 0060074 Rotators		
	See Note	Plate, Spacer (Not Shown) (0060077 & 0060074 Rotators Only) (Note: Not Available for Purchase.)	1	
3		Piston/Sleeve Options:	1	
	7017115	0060041 & 0060031 Rotators		
	7017163	0060077 & 0060074 Rotators		
4		Cap, End Options:	1	
	Use 7017174	0060041 & 0060031 Rotators (was p/n 7017116)		
	7017164	0060077 & 0060074 Rotators		
5	See Note	Plug, Port (Note: Not Available for Purchase.)	6	
6	Use 7017142	Plug	2	
7	7017102	Tie-Rod/Locknut Assy	1	
	7017119	Bolt 1in-8NC x 11in	1	
8	3272605	Locknut 1in-8NC	AR	
9	See Note	Seal, Cap (Note: Use Item 25)	1	
10	See Note	Ring, Back-up (Cap) (Note: Use Item 25)	1	
11	See Note	Seal, Rod (Note: Use Item 25)	1	
12	See Note	Seal, Piston (Note: Use Item 25)	1	
13	See Note	Packing, Bearing (Note: Use Item 25)	2	
14	See Note	Bearing, Cap (Note: Use Item 26)	1	
15	See Note	Bearing, Shaft (Note: Use Item 26)	1	
16	See Note	Washer, Thrust (Note: Use Item 26)	2	

SECTION 3 BOOM

SECTION 3 BOOM

FIGURE 3-5. ROTATOR ASSEMBLIES (FRONT ENTRY PLATFORM) (CONTINUED)

FIG & ITEM #	PART NUMBER	DESCRIPTION	QTY.	REV.
17	Use 7017183 7017183	Valve Assembly Options: 0060041 & 0060031 Rotators (was p/n 7017101) 0060077 & 0060074 Rotators	1	
17A	7011331 7017193 2900770 See Note	Cartridge, Valve Options: 0060041 & 0060031 Rotators 0060077 & 0060074 Rotators Seal Kit - 7011331 Valve Seal Kit - 7017193 Valve (Note: Not Available for Purchase.)	2 2 2	
17B	7011332 See Note 7011346 See Note	Cartridge, Valve Options: 0060041 & 0060031 Rotators 0060077 & 0060074 Rotators (Not Shown - Located on Side of Valve Block) (Note: Not Available for Purchase.) Seal Kit - 7011332 Valve Seal Kit - Valve Located on Side of Block (Note: Not Available for Purchase.)	AR 2 1 2 1	
18	7017118	Setscrew (0060041 & 0060031 Rotators Only)	2	
19	See Note	Bolts 1/4in-20NC (Grade 8) (Note: Not Available for Purchase.)	3	
20	3790110	O-Ring (Not Shown - Located between Valve & Actuator Housing)	3	
21 to 24	Not Used			
25	7017157 7017158 70000342	Seal Kit Options (Includes Items 9-13): 0060041 & 0060031 Rotators 0060077 & 0060074 Rotators Options: Standard Low Temperature	1	
26	7017156 7017159	Bearing Kit Options (Includes Items 14-16): 0060041 & 0060031 Rotators 0060077 & 0060074 Rotators	1	
27	7017142	Hardware Kit (Includes End Cap screws and Dowel Pins - 0060031 & 0060077 Rotators)	1	
27A	70001697	Screw, Countersunk 1/4in-20NC x 3/8in Grade 8	6	

SECTION 3 BOOM

SECTION 3 BOOM

FIGURE 3-5. ROTATOR ASSEMBLIES (FRONT ENTRY PLATFORM) (CONTINUED)

FIG & ITEM #	PART NUMBER	DESCRIPTION	QTY.	REV.

**S
E
C
T
I
O
N

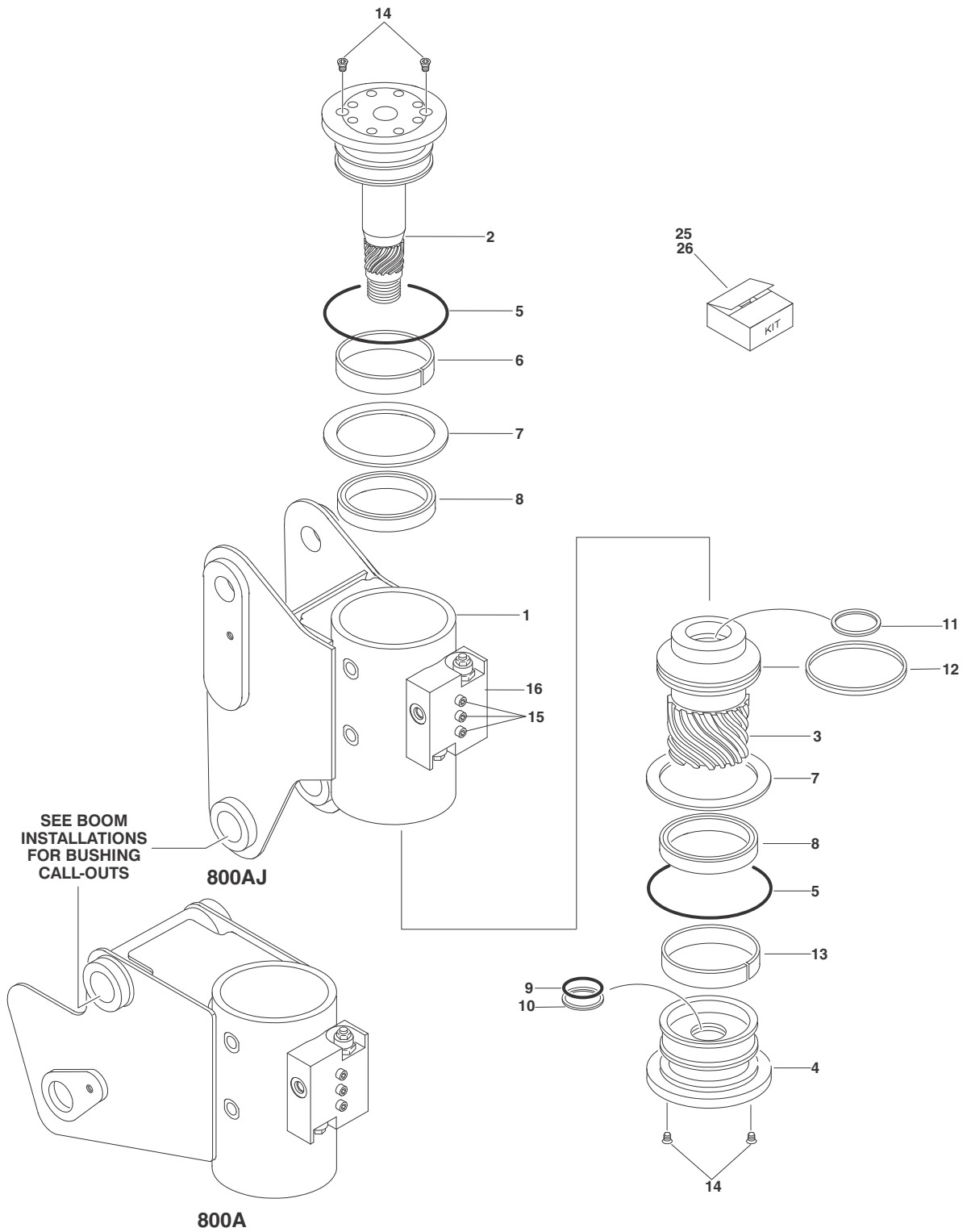
3

B
O
O
M**

SECTION 3 BOOM

FIGURE 3-6. ROTATOR ASSEMBLIES (SIDE ENTRY PLATFORM)

SECTION 3 BOOM



SECTION 3 BOOM

FIGURE 3-6. ROTATOR ASSEMBLIES (SIDE ENTRY PLATFORM)

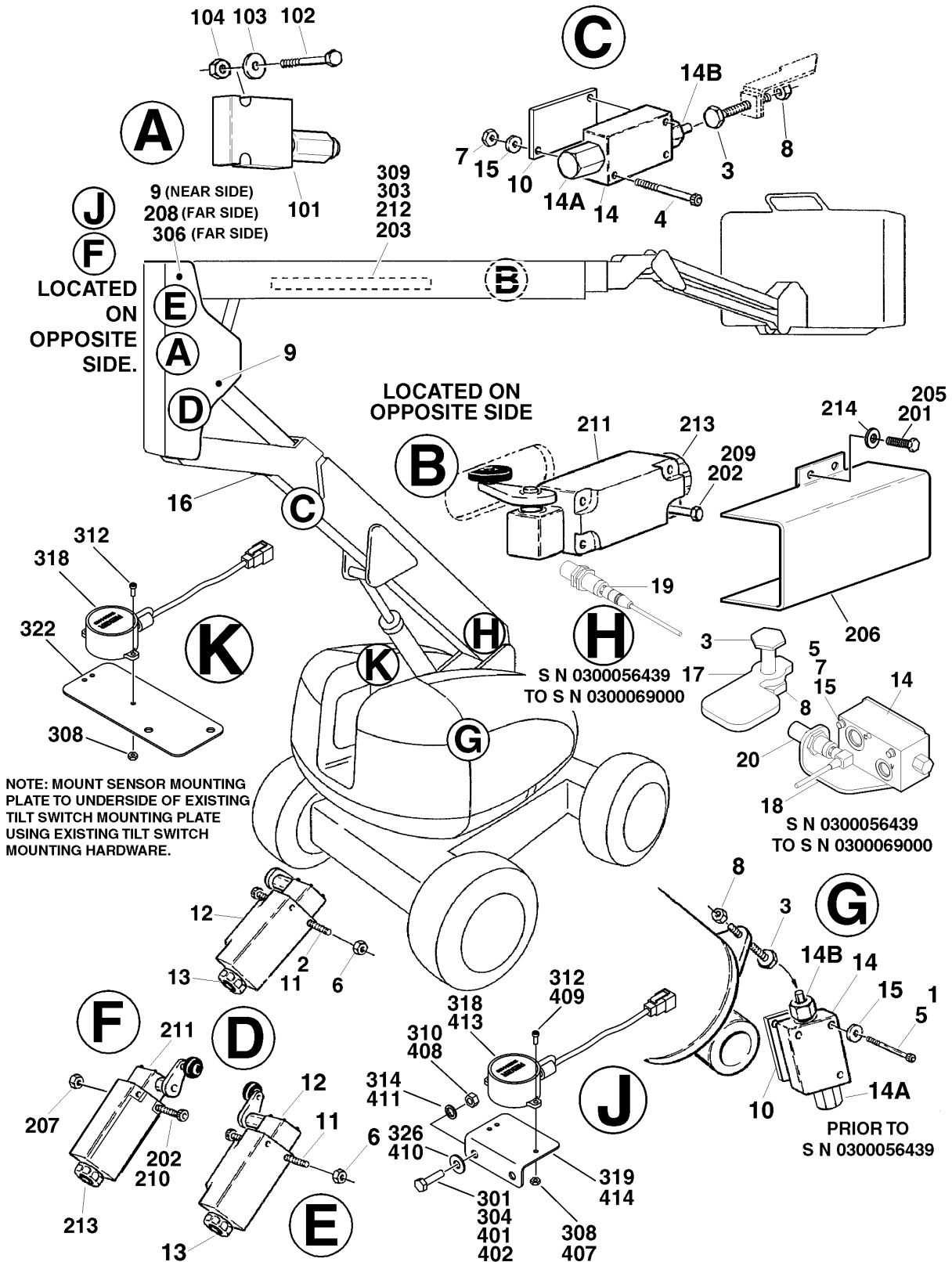
FIG & ITEM #	PART NUMBER	DESCRIPTION	QTY.	REV.
		ROTATOR ASSEMBLIES	Ref	
	0060069	800A	Ref	A
	0060066	800AJ	Ref	A
1	See Note	Housing/Ring Gear Assembly (Note: Not Available - Purchase Complete Assembly.)	1	
2	7017162	Weldment, Shaft	1	
3	7017163	Piston/Sleeve Assembly	1	
4	7017164	Cap, End	1	
5	See Note	O-Ring (Note: Use Item 25)	2	
6	Use 7017159	Bearing, Shaft	1	
7	Use 7017159	Washer, Thrust	2	
8	See Note	Packing, Bearing (Note: Use Item 25)	2	
9	See Note	Seal, Cap (Note: Use Item 25)	1	
10	See Note	Ring, Back-Up Cap (Note: Use Item 25)	1	
11	See Note	Seal, Rod (Note: Use Item 25)	1	
12	See Note	Seal, Piston (Note: Use Item 25)	1	
13	Use 7017159	Bearing, Cap	1	
14	70001697	Capscrew 1/4in-20NC x 3/8in (Grade 8)	6	
15	See Note	Bolt 1/4in-20NC (Grade 8) (Note: Not Available for Purchase.)	3	
16	7017183	Valve Assembly	1	
	7017193	Cartridge, Valve	2	
	See Note	Seal Kit - 7017193 Valve (Note: Not Available - Purchase Complete Assembly.)	2	
	See Note	Cartridge, Valve (Not Shown - Located on Side of Block) (Note: Not Available - Purchase Complete Assembly.)	1	
	See Note	Seal Kit - Valve Located on Side of Block (Note: Not Available - Purchase Complete Assembly.)	1	
17 to 24	Not Used			
25		Seal Kit Options (Includes Items 5, 8- 12):	1	
	7017158	Standard		
	70000342	Low Temperature		
26	7017159	Bearing Kit (Includes Items 6, 7 & 13)	1	

SECTION 3 BOOM

SECTION 3 BOOM

FIGURE 3-7. VALVE AND LIMIT SWITCH INSTALLATIONS (BOOM MOUNTED)

SECTION 3 BOOM



SECTION 3 BOOM

FIGURE 3-7. VALVE AND LIMIT SWITCH INSTALLATIONS (BOOM MOUNTED)

FIG & ITEM #	PART NUMBER	DESCRIPTION	QTY.	REV.
	0258217	BOOM VALVES AND LIMIT SWITCHES INSTALLATION	Ref	H
1	0100011	Compound, Locking	AR	
2	0100035	Compound, Locking	AR	
3	0630427	Bolt, Special	2	
4		Bolt Options:	3	
	0641422	Bolt 1/4in-20NC x 2-3/4in (Prior to SN 0300048726)		
	3931436	Bolt 1/4in-20NC x 2-1/4in (SN 0300048726 to SN 0300069000)		
5		Bolt Options:	3	
	0641436	Bolt 1/4in-20NC x 4-1/2in (Prior to SN 0300048726)		
	3931464	Bolt 1/4in-20NC x 4in (SN 0300048726 to SN 0300069000)		
6	3310805	Locknut #8-32NC	4	
7	3311405	Locknut 1/4in-20NC	6	
8	3311801	Nut 1/2in-13NC	2	
9	3520035	Plug, Cap	2	
10	3570928	Plate, Spacer	2	
11	3930824	Capscrew, Socket Head #8-32NC x 1-1/2in	4	
12	Use 4360578	Switch, Limit (was p/n 4360322 & p/n 4360549) (Note: P/N 4360549 & P/N 4360578 does not include #13 Connector - Purchase Separately)	2	
13		Connector, Strain Relief Options:	2	
	4460428	Use with p/n 4360322 Switch		
	4460968	Use with p/n 4360549 & 4360578 Switches		
14		Valve, Switch Options:	2	
	Use 4641136	Prior to SN 0300042387 (was p/n 4641045)		
	Use 4641136	SN 0300042387 to SN 0300049402 (was p/n 4641105)		
	4641136	SN 0300049402 to SN 0300069000		
		4641136 Replacement Parts:		
14A	7011342	Valve, Check (1 per Assembly)	2	
	7011333	Seal Kit - Check Valve (1 per Assembly)	2	
14B	7020172	Valve, Plunger (1 per Assembly)	2	
	7020173	Seal Kit - 7020172 Valve (1 per Assembly)	2	
		4641105 Replacement Parts:		
14A	See Note	Valve, Check (1 per Assembly) (Note: Not Available for Purchase.)	2	
	7020171	Seal Kit - Check Valve (1 per Assembly)	2	
14B	7020172	Valve, Plunger (1 per Assembly)	2	
	7020173	Seal Kit - 7020172 Valve (1 per Assembly)	2	
		4641045 Replacement Parts:		
14A	7020068	Valve, Check (1 per Assembly)	2	
	7020069	Seal Kit - 7020068 Valve (1 per Assembly)	2	
14B	7020070	Valve, Plunger (1 per Assembly)	2	
	7020071	Seal Kit - 7020070 Valve (1 per Assembly)	2	
15	4751400	Flatwasher 1/4in	6	
16	4060805	Trim, Edge (SN 0300039755 to SN 0300069000 Only)	7in/25cm	
17	3572606	Plate, Lower Boom Proximity Switch Target (SN 0300056439 to SN 0300069000)	1	

SECTION 3 BOOM

SECTION 3 BOOM

FIGURE 3-7. VALVE AND LIMIT SWITCH INSTALLATIONS (BOOM MOUNTED) (CONTINUED)

FIG & ITEM #	PART NUMBER	DESCRIPTION	QTY.	REV.
18	3572607	Plate, Lower Boom Proximity Switch Mount (SN 0300056439 to SN 0300069000)	1	
19	4360498	Switch Proximity (SN 0300056439 to SN 0300069000) (Note: Machines Prior to S/N 0300056439 may have been retrofitted with this switch.)	1	
20	4360499	Switch Proximity (SN 0300056439 to SN 0300069000) (Note: Machines Prior to S/N 0300056439 may have been retrofitted with this switch.)	1	
		VALVES INSTALLATION	Ref	A
101	4640929	Valve Assembly (Relief)	1	
	7012970	Cartridge	1	
	7012953	Seal Kit - 7012970 Cartridge	1	
102	0641416	Bolt 1/4in-20NC x 2in	2	
103	4711400	Flatwasher 1/4in Narrow	4	
104	3311405	Locknut 1/4in-20NC	2	
	0258338	LIMIT SWITCHES INSTALLATION - 800A DUAL CAPACITY	Ref	D
201	0100011	Compound, Locking	AR	
202	0100035	Compound, Locking	AR	
203	1001106482	Bar, Fiberglass (was p/n 0362610)	1	
204	Not Used			
205	0641403	Bolt 1/4in-20NC x 3/8in	4	
206	1670824	Cover	1	
207	3310801	Locknut #8-32NC	2	
208	3520035	Plug, Cap	1	
209	3930816	Capscrew, Socket Head #8-32NC x 1in	2	
210	3930824	Capscrew, Socket Head #8-32NC x 1-1/2in	2	
211	Use 4360578	Switch, Limit (was p/n 4360322 & p/n 4360549) (Note: P/N 4360549 & P/N 4360578 does not include #13 Connector - Purchase Separately)	2	
212	4420060	Tape, Double Sided	2	
213		Connector, Strain Relief Options:	2	
	4460428	Use with p/n 4360322 Switch		
	4460968	Use with p/n 4360549 & 4360578 Switches		
214	4751400	Flatwasher 1/4in	4	
	1001091538	TILT SENSOR INSTALLATION (PRE ADE SYSTEM)	Ref	E
301	0100011	Compound, Locking	AR	
302 to 303	Not Used			
304	0641610	Bolt 3/8in-16NC x 1-1/4in	2	
305 to 307	Not Used			
308	3310605	Locknut #6-32 NC	6	
309	Not Used			
310	3311601	Locknut 3/8in-16NC	2	
311	Not Used			
312	3930606	Screw #6-32 NC	6	
313	Not Used			

SECTION 3 BOOM

FIGURE 3-7. VALVE AND LIMIT SWITCH INSTALLATIONS (BOOM MOUNTED) (CONTINUED)

FIG & ITEM #	PART NUMBER	DESCRIPTION	QTY.	REV.
314	4761600	Lockwasher 3/8in	2	
315 to 317	Not Used			
318	1001094400	Sensor, Dual Axis	2	
319	1001094401	Bracket, Tilt Sensor	1	
320 to 321	Not Used			
322	1001094639	Bracket, Tilt Sensor	1	
323 to 325	Not Used			
326	4751600	Flatwasher 3/8in	2	
327 to 328	Not Used			
	1001093187	TILT SENSOR INSTALLATION (WITH ADE SYSTEM)	Ref	C
401	0100011	Compound, Locking	AR	
402	0641610	Bolt 3/8in-16NC x 1-1/4in	2	
403 to 406	Not Used			
407	3310605	Locknut #6-32 NC	3	
408	3311601	Locknut 3/8in-16NC	2	
409	3930606	Screw #6-32 NC	3	
410	4751600	Flatwasher 3/8in	2	
411	4761600	Lockwasher 3/8in	2	
412	Not Used			
413	1001094400	Sensor, Dual Axis	1	
414	1001094401	Bracket, Tilt Sensor	1	

SECTION 3 BOOM

SECTION 3 BOOM

FIGURE 3-7. VALVE AND LIMIT SWITCH INSTALLATIONS (BOOM MOUNTED) (CONTINUED)

FIG & ITEM #	PART NUMBER	DESCRIPTION	QTY.	REV.

**S
E
C
T
I
O
N

3

B
O
O
M**

SECTION 4 PLATFORM

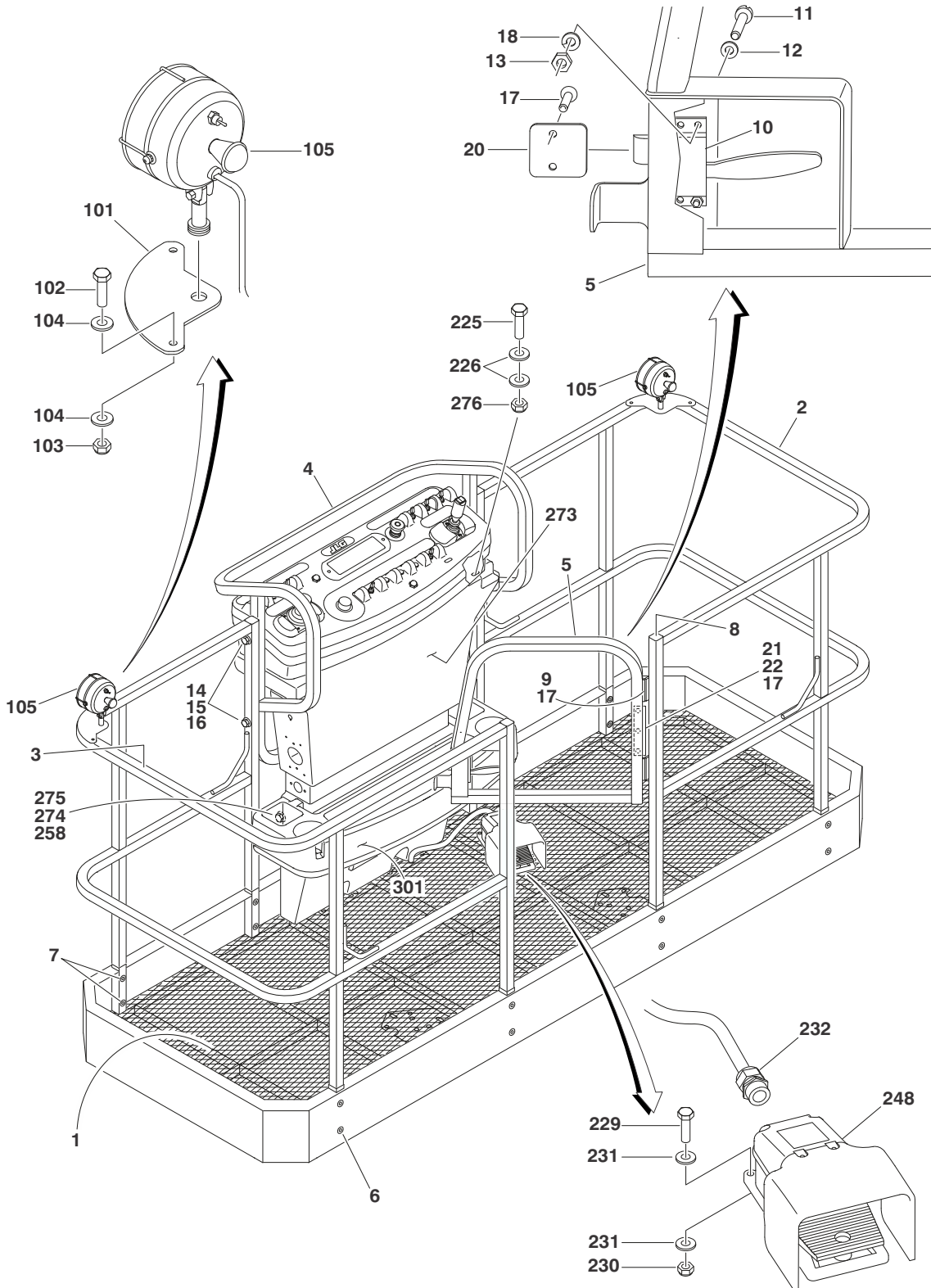
TABLE OF CONTENTS		
FIGURE	DESCRIPTION	PAGE
4-1	PLATFORM COMPONENTS INSTALLATION (FRONT ENRTY)	4-2
4-2	PLATFORM COMPONENTS INSTALLATION (SIDE ENTRY)	4-6
4-3	PLATFORM CONSOLE ASSEMBLY (PRIOR TO SN 0300064432)	4-10
4-4	PLATFORM CONSOLE ASSEMBLIES (WITH ADE SYSTEM) (SN 0300064009 ONLY)	4-16
4-5	PLATFORM CONSOLE ASSEMBLIES (WITH ADE SYSTEM) (SN 0300064432 TO SN 0300069000)	4-20
4-6	CONTROLLER ASSEMBLY (SWING AND LIFT) (PRIOR TO SN 0300064432)	4-26
4-7	CONTROLLER ASSEMBLY (SWING AND LIFT) (WITH ADE SYSTEM) (SN 0300064432 TO SN 0300069000)	4-28
4-8	CONTROLLER ASSEMBLY (DRIVE AND STEER) (PRIOR TO SN 0300064432)	4-32
4-9	CONTROLLER ASSEMBLY (DRIVE AND STEER) (WITH ADE SYSTEM) (SN 0300064432 TO SN 0300069000)	4-34
4-10	SOFT TOUCH SYSTEM INSTALLATION (OPTIONAL)	4-38

SECTION 4 PLATFORM

SECTION 4 PLATFORM

FIGURE 4-1.PLATFORM COMPONENTS INSTALLATION (FRONT ENTRY)

NOTE: These Machine SN's Also Equipped With ADE System: 0300062045, 0300062797, 0300063013, 0300063665, 0300063975,0300064000-0300064017, 0300064390, 0300064392 & 0300064411.



SECTION 4 PLATFORM

SECTION 4 PLATFORM

FIGURE 4-1. PLATFORM COMPONENTS INSTALLATION (FRONT ENTRY)

FIG & ITEM #	PART NUMBER	DESCRIPTION	QTY.	REV.
		NOTE: THESE MACHINE SN'S ALSO EQUIPPED WITH ADE SYSTEM: 0300062045, 0300062797, 0300063013, 0300063665, 0300063975, 0300064000-0300064017, 0300064390, 0300064392 & 0300064411.	Ref	
		PLATFORM ASSEMBLIES:	Ref	
	3510760	4ft (1.22m) with Self-Closing Gate	Ref	3
	3510728	5ft (1.52m) with Self-Closing Gate	Ref	3
	3510497	6ft (1.83m) with Standard Gate	Ref	8
	3510542	6ft (1.83m) with Self-Closing Gate	Ref	3
	3510545	6ft (1.83m) with Mesh to Top Rail & Standard Gate	Ref	B
	3510565	6ft (1.83m) with Mesh to Top Rail & Self-Closing Gate	Ref	3
	3510488	8ft (2.44m) with Standard Gate	Ref	8
	3510543	8ft (2.44m) with Self-Closing Gate	Ref	3
	3510546	8ft (2.44m) with Mesh to Top Rail & Standard Gate	Ref	B
	3510566	8ft (2.44m) with Mesh to Top Rail & Self-Closing Gate	Ref	4
		Note: Replacement decals must be ordered separately - See DECAL SECTION.	Ref	
1		Floor Weldment Options:	1	
	4846253	4ft Platform		
	4846101	5ft Platform		
	4844954	6ft Platform		
	4844928	8ft Platform		
2		Rail Weldment - Right Side Options:	1	
	4846254	4ft Platform without Mesh		
	4846102	5ft Platform without Mesh		
	4844955	6ft Platform without Mesh		
	4845408	6ft Platform with Mesh Top Rail		
	4844924	8ft Platform without Mesh		
	4845412	8ft Platform with Mesh Top Rail		
3		Rail Weldment - Left Side Options:	1	
	4846255	4ft Platform without Mesh		
	4846103	5ft Platform without Mesh		
	4844956	6ft Platform without Mesh		
	4845409	6ft Platform with Mesh Top Rail		
	4844925	8ft Platform without Mesh		
	4845413	8ft Platform with Mesh Top Rail		
4	4845328	Rail Weldment - Back Options:	1	
5		Gate Weldment Options:	1	
	4845327	Standard Gate		
	4845410	Standard Gate with Mesh Top Rail		
	4845426	Self-Closing Gate		
	4845469	Self-Closing Gate with Mesh Top Rail		
6	3900207	Fastener	AR	

SECTION 4 PLATFORM

SECTION 4 PLATFORM

FIGURE 4-1. PLATFORM COMPONENTS INSTALLATION (FRONT ENTRY) (CONTINUED)

FIG & ITEM #	PART NUMBER	DESCRIPTION	QTY.	REV.
		(Note: P/N 3900207 Fastener may be replaced with P/N 0641416 Bolt, P/N 4751400 Flatwasher, P/N 3311405 Locknut and P/N 3300151 Acorn Type Nut. Acorn type nut is required to meet industry safety requirements.	Ref	
7	3300393	Collar	AR	
8	3520072	Plug, Cap	AR	
9		Hinge Options:	2	
	2600216	Standard Gate		
	2600219	Self-Closing Gate (Prior to SN 0300068576)		
	2600287	Self-Closing Gate (SN 0300068576 to SN 0300069000)		
10	2940074	Latch	1	
11	3911008	Screw #10-24NC x 1in	4	
12	4751000	Flatwasher #10	4	
13	3311005	Locknut #10-24NC	4	
14	0641524	Bolt 5/16in-18NC x 3in	4	
15	3311505	Locknut 5/16in-18NC	4	
16	4751500	Flatwasher 5/16in	4	
17	2080040	Fastener	13	
18	4761000	Lockwasher 3/8in (Prior to SN 0300068576)	4	
19	Not Used			
20	3539685	Plate, Latch	1	
21	4220165	Stop, Gate	1	
22	4060803	Trim	6ft/1.8m	
		WORKLIGHTS INSTALLATION (OPTIONAL)	Ref	
	0258048	Prior to SN 0300061927	Ref	2/E
	0270814	SN 0300061927 to SN 0300069000 (ADE System)	Ref	3/D
101	3536089	Plate, Mounting	2	
102	0641414	Bolt 1/4in-20NC x 1-3/4in	4	
103	3311405	Locknut 1/4in-20NC	4	
104	4711400	Flatwasher 1/4in Narrow	8	
105	2920140	Worklight	2	
	7016399	Bulb, Replacement (1 Per Worklight)	2	
106	4240099	Tie-Strap (Not Shown)	10	
107	2820035	Loom, Vinyl (Not Shown)	9	
108	Not Used			
109	4460598	Connector, Strain Relief (Not Shown - Located at Console Box)	1	
110		Wire Options: (Not Shown)	AR	
	4920018	Wire, Black 16 Ga (Prior to SN 0300061927)		
	4920044	Wire, Black 12 Ga (SN 0300061927 to SN 0300069000)		

SECTION 4 PLATFORM

SECTION 4 PLATFORM

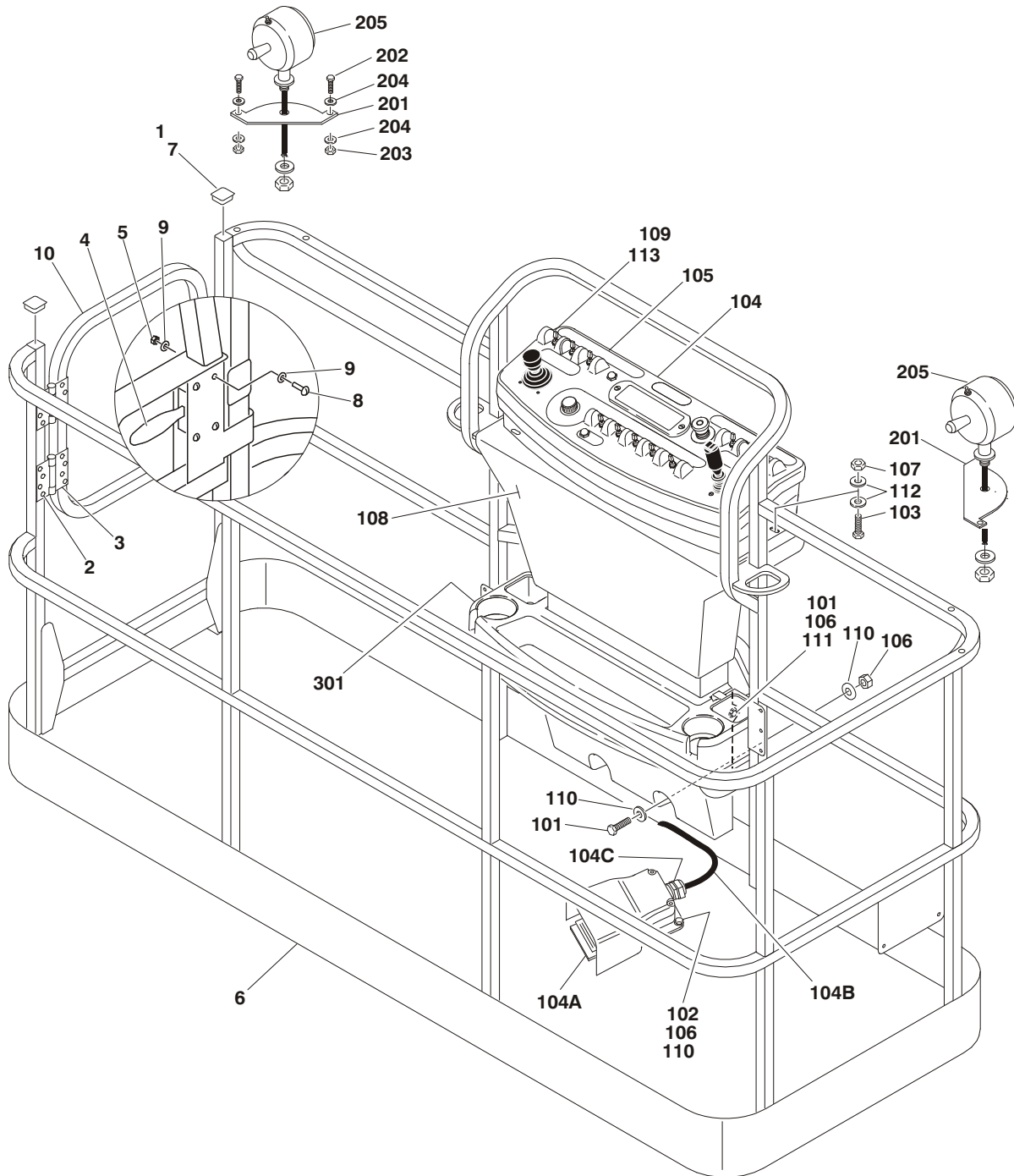
FIGURE 4-1. PLATFORM COMPONENTS INSTALLATION (FRONT ENTRY) (CONTINUED)

FIG & ITEM #	PART NUMBER	DESCRIPTION	QTY.	REV.
		FOOTSWITCH AND COVERS INSTALLATION	Ref	
		OPTIONS:		
	0861237	Prior to SN 0300064432	Ref	5/D
	0861415	SN 0300064009 Only (ADE System)	Ref	C
	0861474	SN 0300064432 to SN 0300069000 (ADE System)	Ref	B
201 to 224	Not Used			
225	0641610	Bolt 3/8in-16NC x 3/4in	4	
226	4751600	Flatwasher 3/8in	4	
227 to 228	Not Used			
229	0641408	Bolt 1/4in-20NC x 1in	3	
230	3311405	Locknut 1/4in-20NC	3	
231	4740362	Washer, Fender	3	
232	4460071	Terminal, Strain Relief	1	
233 to 247	Not Used			
248	See Note	Footswitch (Note: See PLATFORM COMPONENTS INSTALLATION for Service Parts)	1	
249 to 257	Not Used			
258	4751400	Flatwasher 1/4in	4	
259 to 272	Not Used			
273	3380434	Panel, Poly	1	
274	0641414	Bolt 1/4in-20NC x 1-3/4in	2	
275	3311405	Locknut 1/4in-20NC	2	
276	3311605	Locknut 3/8in-16NC	4	
		TRAY INSTALLATIONS (OPTIONAL)	Ref	
301	1580012	Tray, Storage (Center)	1	
302	1580013	Tray, Storage (Rail Mounted - Not Shown)	1	

SECTION 4 PLATFORM

SECTION 4 PLATFORM

FIGURE 4-2. PLATFORM COMPONENTS INSTALLATION (SIDE ENTRY)



SECTION 4 PLATFORM

SECTION 4 PLATFORM

FIGURE 4-2. PLATFORM COMPONENTS INSTALLATION (SIDE ENTRY)

FIG & ITEM #	PART NUMBER	DESCRIPTION	QTY.	REV.
		PLATFORM ASSEMBLIES:	Ref	
	Use 1001144023	8ft (2.44m) with No Mesh (was p/n 3510822)	Ref	B/A
	Use 1001144024	6ft (1.83m) with No Mesh (was p/n 3510833)	Ref	B/A
		Note: Original Equipment platform may have been replaced with Service Replacement platform. Identify platform before ordering parts.	Ref	
		Note: Replacement decals must be ordered separately - See DECAL SECTION.	Ref	
1	0100040	Sealant, Adhesive	AR	
2	2080040	Fastener, Huck	16	
3	2600281	Hinge, Self-Closing	2	
4	2940074	Latch	1	
5	3311001	Nut #10-24NC	4	
6	See Note	Platform Weldment (Note: Not Available - Purchase Complete Platform Assy.)	1	
7	3520072	Cap-Plug	2	
8	3911008	Screw #10-24NC x 1in	4	
9	4751000	Flatwasher #10	8	
10		Gate Weldment Options:	1	
	4846452	Gate for Platform p/ns 3510822 & 3510833		
	1001144629	Gate for Platform p/ns 1001144023 & 1001144024		
	0271941	CONSOLE BOX INSTALLATION - 4WD	Ref	A
101	0641406	Bolt 1/4in-20NC x 3/4in	4	
102	0641408	Bolt 1/4in-20NC x 1in	3	
103	0641610	Bolt 3/8in-16NC x 1-1/4in	4	
104	0861517	Platform Console Box Assembly (See PLATFORM CONSOLE ASSEMBLY for Breakdown)	1	
104A	Use 0272970	Footswitch Assembly (Includes Footswitch & Items 104B & 104C) (was p/n 4360031)	1	
		Note: Assembly p/n 0272970 may use either p/n 4360031 or p/n 1001117320. If Original Equipment was replaced as an "assembly," p/n 1001117320 may have been used as part of the Service Replacement. Identify component before ordering parts.	Ref	
		Footswitch Less Cable Options:	1	
	4360031	Original Equipment		
	1001117320	Service Replacement		
		Block, Contact Options (see Note Above):	AR	
	7000625	Contact Block for 4360031 Footswitch	2	
	70003483	Contact Block for 1001117320 Footswitch	1	
104B	1060918	Cable, Electrical - 18/3	7ft/2.14m	
104C	4460071	Connector, Strain Relief	1	
105	1702676	Decal - Horn	1	
106	3311405	Locknut 1/4in-20NC	7	

SECTION 4 PLATFORM

SECTION 4 PLATFORM

FIGURE 4-2. PLATFORM COMPONENTS INSTALLATION (SIDE ENTRY) (CONTINUED)

FIG & ITEM #	PART NUMBER	DESCRIPTION	QTY.	REV.
107	3311605	Locknut 3/8in-16NC	4	
108	3380434	Panel, Decal Mount	1	
109	4360331	Switch, Toggle (4WD)	1	
110	4740362	Washer, Fender 1/4in	7	
111	4751400	Flatwasher 1/4in (Wide)	4	
112	4751600	Flatwasher 3/8in (Wide)	8	
113	3790012	O-Ring	1	
	0270814	WORKLIGHTS INSTALLATIONS (OPTIONAL)	Ref	3/D
201	3536089	Plate, Mounting	2	
202	0641414	Bolt 1/4in-20NC x 1-3/4in	4	
203	3311405	Locknut 1/4in-20NC	4	
204	4711400	Flatwasher 1/4in Narrow	8	
205	2920140	Worklight	2	
	7016399	Bulb, Replacement (1 Per Worklight)	2	
206	4240099	Tie-Strap (Not Shown)	10	
207	2820035	Loom, Vinyl (Not Shown)	9	
208	Not Used			
209	4460598	Connector, Strain Relief (Not Shown - Located at Console Box)	1	
		TRAY INSTALLATIONS (OPTIONAL)	Ref	
301	1580012	Tray, Storage (Center)	1	
302	1580013	Tray, Storage (Rail Mounted - Not Shown)	1	

SECTION 4 PLATFORM

SECTION 4 PLATFORM

FIGURE 4-2. PLATFORM COMPONENTS INSTALLATION (SIDE ENTRY) (CONTINUED)

FIG & ITEM #	PART NUMBER	DESCRIPTION	QTY.	REV.

**S
E
C
T
I
O
N

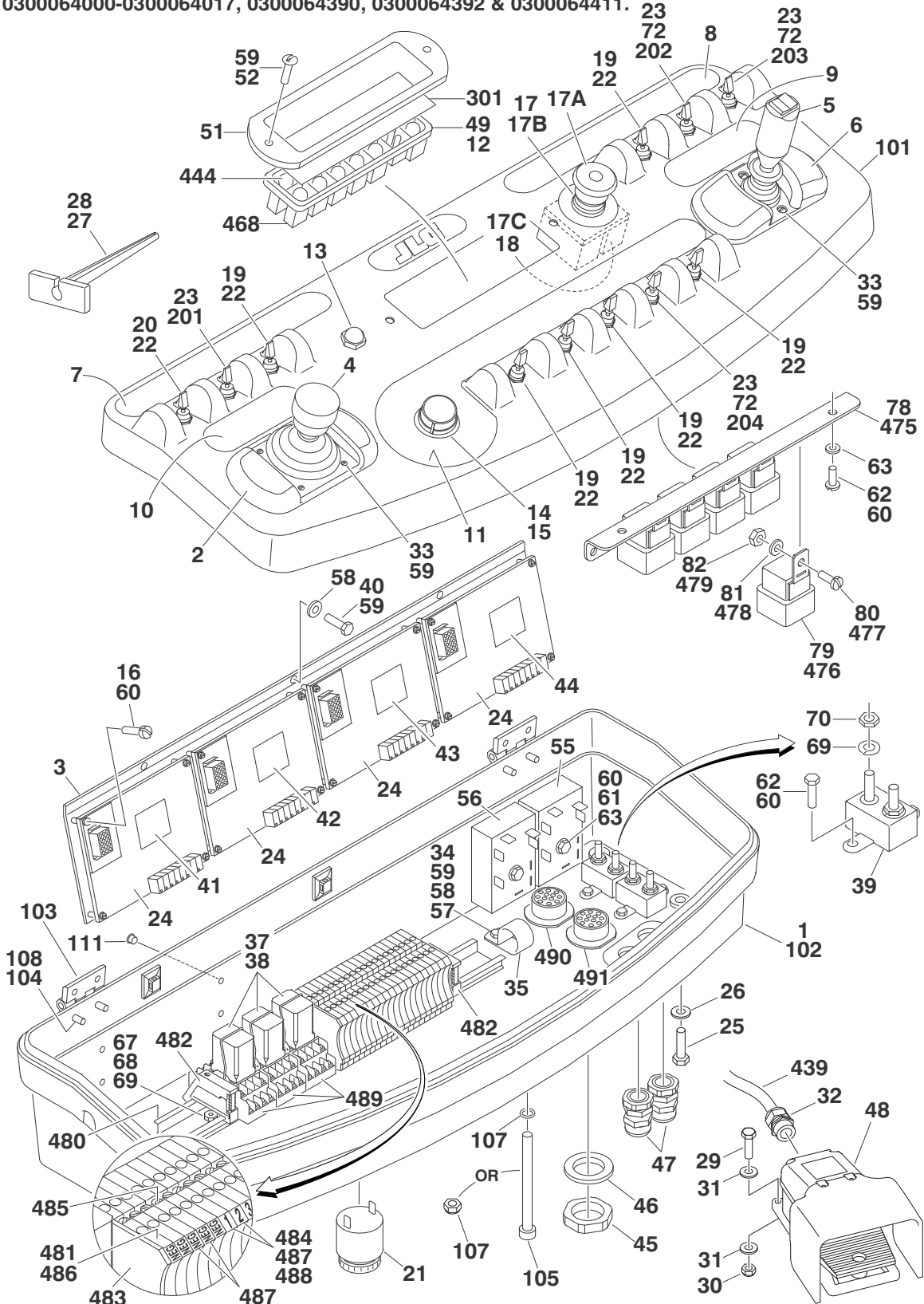
4

P
L
A
T
F
O
R
M**

SECTION 4 PLATFORM

FIGURE 4-3.PLATFORM CONSOLE ASSEMBLY (PRIOR TO SN 0300064432)

NOTE: These Machine SN's Also Equipped With ADE System:
 0300062045, 0300062797, 0300063013, 0300063665, 0300063975,
 0300064000-0300064017, 0300064390, 0300064392 & 0300064411.



SECTION 4 PLATFORM

SECTION 4 PLATFORM

FIGURE 4-3. PLATFORM CONSOLE ASSEMBLY (PRIOR TO SN 0300064432)

FIG & ITEM #	PART NUMBER	DESCRIPTION	QTY.	REV.
		NOTE: THESE MACHINE SN'S ALSO EQUIPPED WITH ADE SYSTEM: 0300062045, 0300062797, 0300063013, 0300063665, 0300063975, 0300064000-0300064017, 0300064390, 0300064392 & 0300064411.	Ref	
	0861237	CONSOLE BOX ASSEMBLY	Ref	5/D
1	0860984	Box, Console	1	
2	4340678	Support, Hand	1	
3	3538819	Plate, Mounting	1	
4	1600284	Controller Assembly (Swing & Lift) (See CONTROLLER ASSEMBLY (SWING & LIFT) for Breakdown)	1	
5	1600283	Controller Assembly (Drive & Steer) (See CONTROLLER ASSEMBLY (DRIVE & STEER) for Breakdown)	1	
6	4340684	Support, Hand	1	
7	1702676	Decal (Horn/Drive Speed/Level)	1	
8	1702564	Decal (Stop)	1	
9	1702565	Decal (Drive and Steer)	1	
10	1702566	Decal (Lift and Swing)	1	
11	1702567	Decal (Speed/Lower Lift/Tele/Rotate/Jib)	1	
12	2760105	Housing, Display Light	1	
13	4360387	Switch, Pushbutton	1	
14	2560136	Knob, Speed Control	1	
15	4360407	Controller, Speed	1	
16	3910610	Screw #6-32NC x 5/8in	16	
17		Switch, Emergency Stop Options:	1	
	4360289	Prior to SN 0300044657		
	4360475	SN 0300044657 to SN 0300064432		
17A	7012611	Cap, Mushroom Head (Prior to SN 0300044657)	1	
17A	7020175	Cap, Mushroom Head (SN 0300044657 to SN 0300064432)	1	
17B	7012612	Boot (Prior to SN 0300044657)	1	
17C	7020176	Block, Contact (SN 0300044657 to SN 0300064432)	1	
18		Switch, Contact Block Options:	1	
	4360282	Prior to SN 0300044657		
	4360476	SN 0300044657 to SN 0300064432		
19	4360314	Switch, Toggle	6	
20	4360331	Switch, Toggle	1	
21	0140026	Alarm	1	
22	3790012	O-Ring	7	
23	3520028	Plug, Hole (For switch call-outs at these locations, refer to options installation below)	4	
24	1600218	Card, Control	4	
25	0641610	Bolt 3/8in-16NC x 3/4in	4	
26	4751600	Flatwasher 3/8in	4	
27	4460467	Tool, Pin Extraction (Blue 16-18 Gauge) (Not Shown)	1	
28	4460510	Tool, Pin Extraction (Yellow 12-14 Gauge) (Not Shown)	1	
29	0641408	Bolt 1/4in-20NC x 1in	3	

SECTION 4 PLATFORM

SECTION 4 PLATFORM

FIGURE 4-3. PLATFORM CONSOLE ASSEMBLY (PRIOR TO SN 0300064432) (CONTINUED)

FIG & ITEM #	PART NUMBER	DESCRIPTION	QTY.	REV.
30	3311405	Locknut 1/4in-20NC	3	
31	4740362	Washer 1/4in (Fender)	3	
32	4460071	Connector, Strain Relief	1	
33	0641404	Bolt 1/4in-20NC x 1/2in	8	
34	3311401	Nut 1/4in-20NC	1	
35	1320060	Clamp	1	
36	1320095	Clamp	1	
37	3740058	Relay - 4PDT	3	
38	3740063	Spring, Relay	3	
39	4360232	Breaker, Circuit - 15 Amp	2	
40	0641406	Bolt 1/4in-20NC x 3/4in	3	
41	1703090	Decal - Control Card (Lift)	1	
42	1703091	Decal - Control Card (Swing)	1	
43	1703092	Decal - Control Card (Flow Control)	1	
44	1703093	Decal - Control Card (Drive)	1	
45	4460470	Nut, Conduit	2	
46	4460471	Washer	2	
47	4460428	Connector, Strain Relief	2	
48	See Note	Footswitch (Note: See PLATFORM COMPONENTS INSTALLATION for Service Parts)	1	
49	Not Used			
50	4922155	Harness Assembly (Not Shown - See ELECTRICAL SECTION for Breakdown and Items 401-491 Below)	1	
51	1670829	Bezel	1	
52	0630464	Screw, Button Head #10-24NC x 1/2in	2	
53 to 54	Not Used			
55	3740113	Relay, Time Delay	1	
56	3740115	Relay, Time Delay	1	
57	0641406	Bolt 1/4in-20NC x 3/4in	1	
58	Not Used			
59	0100011	Compound, Locking	AR	
60	0100035	Compound, Locking	AR	
61	0721010	Screw, Machine #10-24NC x 1-1/4in	2	
62	0721003	Screw, Machine #10-24NC x 3/8in	4	
63	4751000	Flatwasher #10	2	
64 to 66	Not Used			
67	0721004	Screw, Machine #10-32NC x 1/2in	2	
68	4711000	Flatwasher #10 Narrow	2	
69	4761000	Lockwasher #10	6	
70	3311001	Nut #10-24NC	4	
71	4460488	Base, Wire Tie (Not Shown)	10	
72	0100009	Silicone	AR	
73 to 75	Not Used			
76	3311605	Locknut 3/8in-16NC	4	
77		Decal - EMS Options:	AR	
	Not Required	Prior to SN 0300044657	0	
	1704260	SN 0300044657 to SN 0300064432	1	

SECTION 4 PLATFORM

SECTION 4 PLATFORM

FIGURE 4-3. PLATFORM CONSOLE ASSEMBLY (PRIOR TO SN 0300064432) (CONTINUED)

FIG & ITEM #	PART NUMBER	DESCRIPTION	QTY.	REV.
78	3539275	Plate, Relay Mounting (SN 0300049954 to SN 0300064432)	1	
79	3740049	Relay, Bosch (SN 0300049954 to SN 0300064432)	5	
80	0721003	Screw #10-24NC x 3/8in (SN 0300049954 to SN 0300064432)	5	
81	4751000	Flatwasher #10 (SN 0300049954 to SN 0300064432)	5	
82	3311005	Locknut #10-24NC (SN 0300049954 to SN 0300064432)	5	
83	2920129	Bulb, Light (SN 0300049954 to SN 0300064432)	12	
	0860984	CONSOLE BOX ASSEMBLY	Ref	6/E
101	Use 0860984	Console Top (Note: Not Available for Purchase.)	1	
102	Use 0860984	Console Bottom (Note: Not Available for Purchase.)	1	
103	2600211	Hinge	2	
104	3900224	Capscrew, Socket Head Countersunk M6 x 16mm	8	
105	3931672	Capscrew, Socket Head 3/8in-16NC x 4-1/2in	1	
106	Not Used			
107	3311601	Nut 3/8in-16NC	1	
108	0100011	Compound, Locking	AR	
109 to 110	Not Used			
111	3520173	Plug (Located on back of console box)	4	
		CONSOLE BOX OPTIONS	Ref	
201	0258945	4WS Switch Option Components	AR	A
	4360331	Switch, Toggle	1	
	3790012	O-Ring	1	
202		Dual Switch Option Components	AR	
	4360336	Switch, Toggle	1	
	3790012	O-Ring	1	
203		Lights Switch Option Components	AR	
	4360336	Switch, Toggle	1	
	3790012	O-Ring	1	
204	0258608	Jib Switch Option Components	AR	A
	4360314	Switch, Toggle	1	
	3790012	O-Ring	1	
	0275804	LIGHT PANEL DECAL INSTALLATION	Ref	A
301	1707111	Decal - Light Panel Display	1	
		Note: Machines should of been updated to this light panel installation.	Ref	

SECTION 4 PLATFORM

SECTION 4 PLATFORM

FIGURE 4-3. PLATFORM CONSOLE ASSEMBLY (PRIOR TO SN 0300064432) (CONTINUED)

FIG & ITEM #	PART NUMBER	DESCRIPTION	QTY.	REV.
	4922155	RELAY AND TERMINAL BLOCK INSTALLATIONS	Ref	5
401 to 438	Not Used			
439	1060012	Cable, Electrical - 12/4	7ft/2.1m	
440 to 443	Not Used			
444	2920129	Bulb, Light	9	
445 to 467	Not Used			
468	4120035	Base, Light	8	
469 to 474	Not Used			
475	3539275	Plate, Relay Mounting	1	
476	3740049	Relay, Bosch	5	
477	0721003	Screw #10-24NC x 3/8in	5	
478	4751000	Flatwasher #10	5	
479	3311005	Locknut #10-24NC	5	
480	3641182	Track	1	
481	4460601	Block, Terminal	10	
482	4460607	Stop, End	2	
483	4460602	Barrier, Terminal	1	
484	4460629	Marker, Terminal (6-15)	2	
485	4460603	Bar, Buss - 10 Position (Cut into [2] 5 Position Bars)	1	
486	4460600	Block, Terminal	10	
487	4460631	Marker, Terminal (Negative)	1	
488	4460632	Marker, Terminal (1-5)	1	
489	4120013	Socket, Relay	3	
490	4460613	Connector - 21 Position	1	
491	4460503	Connector - 31 Position	1	

SECTION 4 PLATFORM

SECTION 4 PLATFORM

FIGURE 4-3. PLATFORM CONSOLE ASSEMBLY (PRIOR TO SN 0300064432) (CONTINUED)

FIG & ITEM #	PART NUMBER	DESCRIPTION	QTY.	REV.

**S
E
C
T
I
O
N

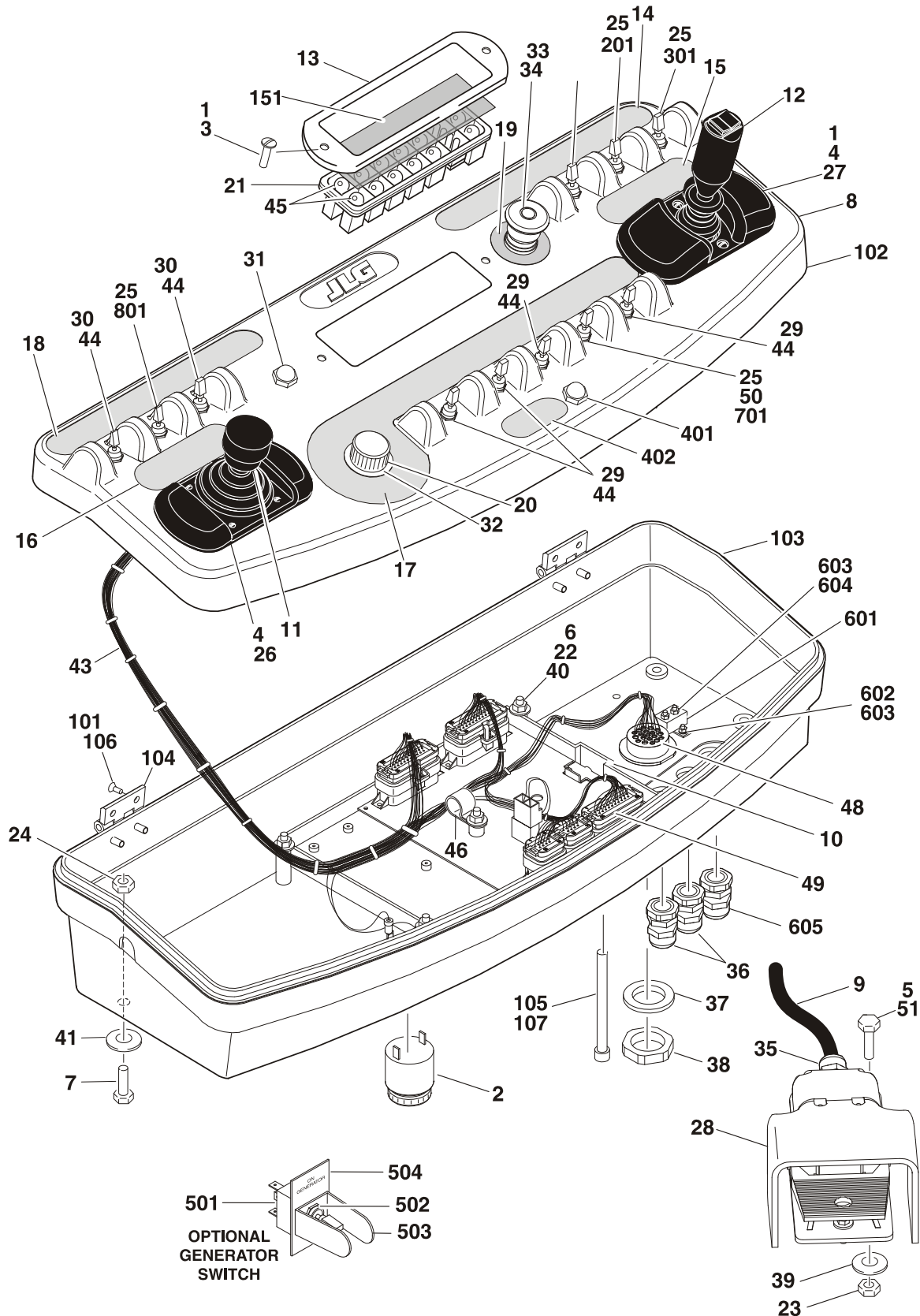
4

P
L
A
T
F
O
R
M**

SECTION 4 PLATFORM

FIGURE 4-4.PLATFORM CONSOLE ASSEMBLY (WITH ADE SYSTEM)
(SN 0300064009 ONLY)

SECTION 4 PLATFORM



SECTION 4 PLATFORM

FIGURE 4-4. PLATFORM CONSOLE ASSEMBLY (WITH ADE SYSTEM) (SN 0300064009 ONLY)

FIG & ITEM #	PART NUMBER	DESCRIPTION	QTY.	REV.
	0861415	CONSOLE BOX & FOOTSWITCH ASSEMBLY	Ref	C
1	0100035	Compound, Locking	AR	
2	0140011	Alarm	1	
3	0630464	Screw, Button Head #10-24NC x 1/2in	AR	
4	0641404	Bolt 1/4in-20NC x 1/2in	8	
5	0641408	Bolt 1/4in-20NC x 1in	3	
6	0641418	Bolt 1/4in-20NC x 2-1/4in	5	
7	0641610	Bolt 3/8in-16NC x 1-1/4in	4	
8	0861414	Box, Console (See Items 101-107 for Breakdown)	1	
9	1060330	Cable, 16/3	7ft/2.1m	
10	1600313	Controller, Module	1	
11	Use 1001129555	Controller Assembly (Swing & Lift) (See CONTROLLER ASSEMBLY (SWING & LIFT) for Breakdown) (was p/n 1600317 & p/n 1001118417)	1	
12	Use 1001118416	Controller Assembly (Drive & Steer) (See CONTROLLER ASSEMBLY (DRIVE & STEER) for Breakdown) (was p/n 1600318)	1	
13	1670829	Bezel	1	
14	1702564	Decal (Stop)	1	
15	1702565	Decal (Drive and Steer)	1	
16	1702566	Decal (Lift and Swing)	1	
17	1702567	Decal (Function Speed)	1	
18	1702676	Decal (Horn)	1	
19	1704260	Decal - EMS	1	
20	2560136	Handle, Knob	1	
21	2760105	Housing, Display Light	1	
22	3311401	Nut 1/4in-20NC	6	
23	3311405	Locknut 1/4in-20NC	3	
24	3311605	Locknut 3/8in-16NC	4	
25	3520028	Plug, Hole 1/2in	4	
26	4340678	Support, Hand	1	
27	4340684	Support, Hand	1	
28	See Note	Footswitch (Note: See PLATFORM COMPONENTS INSTALLATION for Service Parts)	1	
29	4360328	Switch, Toggle	6	
30	4360331	Switch, Toggle	1	
31	4360387	Switch, Pushbutton	1	
32	4360407	Controller, Speed	1	
33	4360475	Switch, Emergency Stop	1	
	7020175	Cap, Red	1	
	7020176	Contact Block	1	
34	4360476	Block, Contact	1	
35	4460071	Connector, Strain Relief	1	
36	4460428	Connector, Strain Relief	2	
37	4460471	Lockwasher, Terminal	1	
38	4460470	Nut, Terminal	1	
39	4740362	Washer 1/4in (Fender)	3	

SECTION 4 PLATFORM

SECTION 4 PLATFORM

**FIGURE 4-4. PLATFORM CONSOLE ASSEMBLY (WITH ADE SYSTEM) (SN 0300064009 ONLY)
(CONTINUED)**

FIG & ITEM #	PART NUMBER	DESCRIPTION	QTY.	REV.
40	4751400	Flatwasher 1/4in	7	
41	4751600	Flatwasher 3/8in	4	
42	4922485	Harness, Analyzer Cable (Not Shown)	1	
	4460871	Terminal, Socket	4	
	4460761	Housing - 4 Position	1	
	4460227	Pin	4	
43	4922509	Harness, Platform Box	1	
44	3790012	O-Ring	7	
45	2920129	Bulb, Light	12	
46	1320060	Clamp	1	
47	Not Used			
48	4460464	Terminal, Deutsch	1	
49	4460871	Terminal, Socket	2	
50	0100009	Sealant	AR	
51	0100020	Sealant	AR	
	0861414	CONSOLE BOX ASSEMBLY	Ref	B
101	0100011	Compound, Locking	AR	
102	Use 0861414	Console Top (Note: Not Available for Purchase.)	1	
103	Use 0861414	Console Bottom (Note: Not Available for Purchase.)	1	
104	2600211	Hinge	2	
105	3311601	Nut 3/8in-16NC	1	
106	3900224	Screw Countersunk	8	
107	3931672	Screw 3/8in-16NC x 4-1/2in	1	
	0275804	LIGHT PANEL DECAL INSTALLATION	Ref	A
151	1707111	Decal - Light Panel Display	1	
		Note: Machines should of been updated to this light panel installation.	Ref	
	0271366	DUAL FUEL SWITCH INSTALLATION	Ref	1
201	4360336	Switch, Toggle	1	
	3790012	O-Ring	1	
	0271418	HEAD & TAIL LIGHTS INSTALLATION (OPTIONAL)	Ref	1
301	4360336	Switch, Toggle	1	
	3790012	O-Ring	1	

SECTION 4 PLATFORM

SECTION 4 PLATFORM

**FIGURE 4-4. PLATFORM CONSOLE ASSEMBLY (WITH ADE SYSTEM) (SN 0300064009 ONLY)
(CONTINUED)**

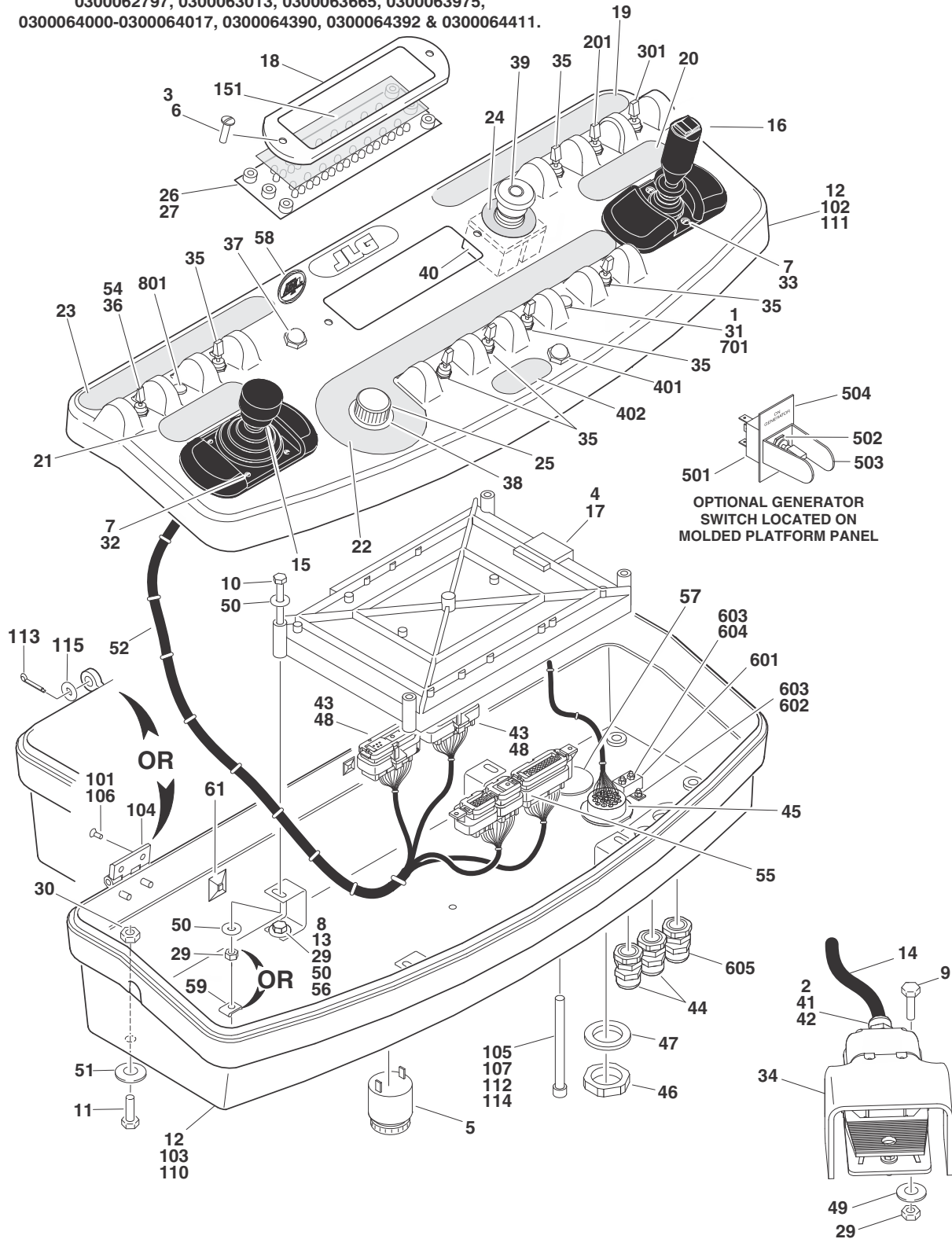
FIG & ITEM #	PART NUMBER	DESCRIPTION	QTY.	REV.
		SOFT TOUCH SYSTEM INSTALLATION (OPTIONAL)	Ref	
	0270795	6FT PLATFORM	Ref	1
	0270796	8FT PLATFORM	Ref	1
401	4360387	Switch, Pushbutton	1	
402	1702938	Decal - Soft Touch Override	1	
		GENERATOR INSTALLATION (OPTIONAL)	Ref	
	0270801	110V DEUTZ	Ref	1
	0270810	220V DEUTZ	Ref	1
	0270808	110V FORD	Ref	1
	0270809	220V FORD	Ref	1
501	4360336	Switch, Toggle	1	
502	4740397	Bushing	1	
503	4060802	Guard, Switch	1	
504	3251102	Decal - Generator ON/OFF	1	
	0270814	PLATFORM WORKLIGHT INSTALLATION (OPTIONAL)	Ref	3
601	4360232	Breaker, Circuit - 15Amp	1	
602	0721003	Bolt #10-24NC x 3/8in	2	
603	4761000	Lockwasher #10	4	
604	3311001	Nut #10-24NC	2	
605	4460598	Connector, Strain Relief	1	
	0271340	JIB SWITCH INSTALLATION (OPTIONAL)	Ref	1
701	4360328	Switch, Toggle	1	
	3790012	O-Ring	1	
	0258945	STEER SWITCH (4WS) INSTALLATION (OPTIONAL)	Ref	1
801	4360331	Switch, Toggle	1	
	3790012	O-Ring	1	

SECTION 4 PLATFORM

SECTION 4 PLATFORM

**FIGURE 4-5.PLATFORM CONSOLE ASSEMBLY (WITH ADE SYSTEM)
(SN 0300064432 TO SN 0300069000)**

NOTE: These Machine SN's Also
Equipped With ADE System: 0300062045,
0300062797, 0300063013, 0300063665, 0300063975,
0300064000-0300064017, 0300064390, 0300064392 & 0300064411.



SECTION 4 PLATFORM

SECTION 4 PLATFORM

FIGURE 4-5. PLATFORM CONSOLE ASSEMBLY (WITH ADE SYSTEM) (SN 0300064432 TO SN 0300069000)

FIG & ITEM #	PART NUMBER	DESCRIPTION	QTY.	REV.
		NOTE: THESE MACHINE SN'S ALSO EQUIPPED WITH ADE SYSTEM: 0300062045, 0300062797, 0300063013, 0300063665, 0300063975, 0300064000-0300064017, 0300064390, 0300064392 & 0300064411.	Ref	
		CONSOLE BOX & FOOTSWITCH ASSEMBLIES	Ref	
	0861474	SN 0300064432 TO SN 0300068918	Ref	B
	0861517	SN 0300068918 TO SN 0300069000	Ref	A
1	0100009	Sealant	AR	
2	0100020	Sealant	AR	
3	0100035	Compound, Locking	AR	
4	0100048	Grease, Dielectric	AR	
5	0140011	Alarm	1	
6	0630464	Screw, Button Head #10-24NC x 1/2in	2	
7	0641404	Bolt 1/4in-20NC x 1/2in	8	
8	0641406	Bolt 1/4in-20NC x 3/4in	4	
9	0641408	Bolt 1/4in-20NC x 1in	3	
10	0641416	Bolt 1/4in-20NC x 2in	4	
11	0641610	Bolt 3/8in-16NC x 1-1/4in	4	
12		Box, Console Options:	1	
	0861414	Prior to SN 0300068918 (See Items 101-108 for Breakdown)		
	0861537	SN 0300068918 to SN 0300069000 (See Items 110-115 for Breakdown)		
13	0902751	Bracket, Card Support	4	
14	1060918	Cable, 18/3	8ft/2.4m	
15	Use 1001129555	Controller Assembly (Swing & Lift) (See CONTROLLER ASSEMBLY (SWING & LIFT) for Breakdown) (was p/n 1600317 & 1001118417)	1	
16	Use 1001118416	Controller Assembly (Drive & Steer) (See CONTROLLER ASSEMBLY (DRIVE & STEER) for Breakdown) (was p/n 1600318)	1	
17	1600313	Controller, Module	1	
18	1670829	Bezel	1	
19	1702564	Decal (Stop)	1	
20	1702565	Decal (Drive and Steer)	1	
21	1702566	Decal (Lift and Swing)	1	
22	1702567	Decal (Function Speed)	1	
23	1702676	Decal (Horn)	1	
24	1704260	Decal - EMS	1	
25	2560136	Handle, Knob	1	
26	2760105	Housing, Display Light	1	
27	2920129	Bulb, Light	12	
28	Not Used			
29	3311405	Locknut 1/4in-20NC	11	
30	3311605	Locknut 3/8in-16NC	4	
31	3520028	Plug, Hole 1/2in	4	
32	4340678	Support, Hand	1	

SECTION 4 PLATFORM

SECTION 4 PLATFORM

FIGURE 4-5. PLATFORM CONSOLE ASSEMBLY (WITH ADE SYSTEM) (SN 0300064432 TO SN 0300069000) (CONTINUED)

FIG & ITEM #	PART NUMBER	DESCRIPTION	QTY.	REV.
33	4340684	Support, Hand	1	
34	See Note	Footswitch (Note: See PLATFORM COMPONENTS INSTALLATION for Service Parts)	1	
35	4360328	Switch, Toggle	6	
36	4360331	Switch, Toggle	1	
37	4360387	Switch, Pushbutton	1	
38	4360407	Controller, Speed	1	
39	4360475	Switch, Emergency Stop	1	
	7020175	Cap, Red	1	
	7020176	Contact Block	1	
40	4360476	Block, Contact	1	
41	4460042	Ring, Terminal	3	
42	4460071	Connector, Strain Relief	1	
43	4460226	Contact, Socket	2	
44	4460428	Connector, Strain Relief	2	
45	4460464	Terminal, Deutsch	1	
46	4460470	Nut, Terminal	1	
47	4460471	Lockwasher, Terminal	1	
48	4460905	Connector, Amp Seal Plug	5	
49	4740362	Washer 1/4in (Fender)	3	
50	4751400	Flatwasher 1/4in	16	
51	4751600	Flatwasher 3/8in	4	
52	4922639	Harness, Platform Box	1	
53	4922666	Harness, Analyzer Cable (Not Shown)	1	
	4460871	Terminal, Socket	4	
	4460761	Housing - 4 Position	1	
	4460227	Pin	4	
54	3790012	O-Ring	7	
55	4460708	Terminal, 15 Pin	2	
56	0100081	Adhesive	AR	
57	1671037	Cover (SN 0300068918 to SN 0300069000)	1	
58	1705132	Decal - ADE (SN 0300068918 to SN 0300069000)	1	
59	3300353	Nut, Tinnerman (SN 0300068918 to SN 0300069000)	4	
60	4460226	Wire, Tie (Not Shown) (SN 0300068918 to SN 0300069000)	3	
61	4460488	Base, Mounting (SN 0300068918 to SN 0300069000)	1	
	2910872	Kit, Decal - Platform Console Box (Includes Items 19 - 24 & 151)	1	
	0861414	CONSOLE BOX ASSEMBLY (SN 0300064432 TO SN 0300068918)	Ref	C
101	0100011	Compound, Locking	AR	
102	Use 0861414	Console Top (Note: Not Available for Purchase.)	1	
103	Use 0861414	Console Bottom (Note: Not Available for Purchase.)	1	

SECTION 4 PLATFORM

SECTION 4 PLATFORM

FIGURE 4-5. PLATFORM CONSOLE ASSEMBLY (WITH ADE SYSTEM) (SN 0300064432 TO SN 0300069000) (CONTINUED)

FIG & ITEM #	PART NUMBER	DESCRIPTION	QTY.	REV.
104	2600211	Hinge	2	
105	3311601	Nut 3/8in-16NC	1	
106	3900224	Screw Countersunk	8	
107	3931672	Screw 3/8in-16NC x 4-1/2in	1	
108	3520174	Plug, 3/16in	3	
	0861537	CONSOLE BOX ASSEMBLY (SN 0300068918 TO SN 0300069000)	Ref	A
110	Use 0861537	Console Bottom (Note: Not Available for Purchase.)	1	
111	Use 0861537	Console Top (Note: Not Available for Purchase.)	1	
112	3311601	Nut 3/8in-16NC	1	
113	3450304	Pin, Cotter	2	
114	3931672	Screw 3/8in-16NC x 4-1/2in	1	
115	4711500	Flatwasher 5/16in	2	
	0275804	LIGHT PANEL DECAL INSTALLATION	Ref	A
151	1707111	Decal - Light Panel Display	1	
		Note: Machines should of been updated to this light panel installation.	Ref	
	0271366	DUAL FUEL SWITCH INSTALLATION	Ref	1
201	4360336	Switch, Toggle	1	
	3790012	O-Ring	1	
	0271768	HEAD & TAIL LIGHTS INSTALLATION (OPTIONAL)	Ref	2
301	4360336	Switch, Toggle	1	
	3790012	O-Ring	1	
		SOFT TOUCH SYSTEM INSTALLATION (OPTIONAL) (SN 0300064432 to SN 0300069000)	Ref	
	0271550	6FT PLATFORM (SN 0300064432 to SN 0300066290)	Ref	1
	0271551	8FT PLATFORM (SN 0300064432 to SN 0300066290)	Ref	1
401	4360387	Switch, Pushbutton	1	
402	1702938	Decal - Soft Touch Override	1	

SECTION 4 PLATFORM

SECTION 4 PLATFORM

FIGURE 4-5. PLATFORM CONSOLE ASSEMBLY (WITH ADE SYSTEM) (SN 0300064432 TO SN 0300069000) (CONTINUED)

FIG & ITEM #	PART NUMBER	DESCRIPTION	QTY.	REV.
		GENERATOR INSTALLATION (OPTIONAL) (SN 0300064432 to SN 0300069000)	Ref	
	0271544	110V DEUTZ (SN 0300064432 to SN 0300068269)	Ref	2
	0272480	110V DEUTZ (SN 0300068269 to SN 0300069000)	Ref	2
	0271547	220V DEUTZ (SN 0300064432 to SN 0300068269)	Ref	2
	0272481	220V DEUTZ (SN 0300068269 to SN 0300069000)	Ref	2
	0271545	110V FORD	Ref	4
	0271546	220V FORD	Ref	4
501	4360336	Switch, Toggle	1	
502	4740397	Bushing	1	
503	4060802	Guard, Switch	1	
504	3251102	Decal - Generator ON/OFF	1	
	0270814	PLATFORM WORKLIGHT INSTALLATION (OPTIONAL)	Ref	3
601	4360232	Breaker, Circuit - 15Amp	1	
602	0721003	Bolt #10-24NC x 3/8in	2	
603	4761000	Lockwasher #10	4	
604	3311001	Nut #10-24NC	2	
605	4460598	Connector, Strain Relief	1	
	0271340	JIB SWITCH INSTALLATION (OPTIONAL)	Ref	1
701	4360328	Switch, Toggle	1	
	3790012	O-Ring	1	
	0258945	STEER SWITCH (4WS) INSTALLATION (OPTIONAL)	Ref	1
801	4360331	Switch, Toggle	1	
	3790012	O-Ring	1	

SECTION 4 PLATFORM

SECTION 4 PLATFORM

FIGURE 4-5. PLATFORM CONSOLE ASSEMBLY (WITH ADE SYSTEM) (SN 0300064432 TO SN 0300069000) (CONTINUED)

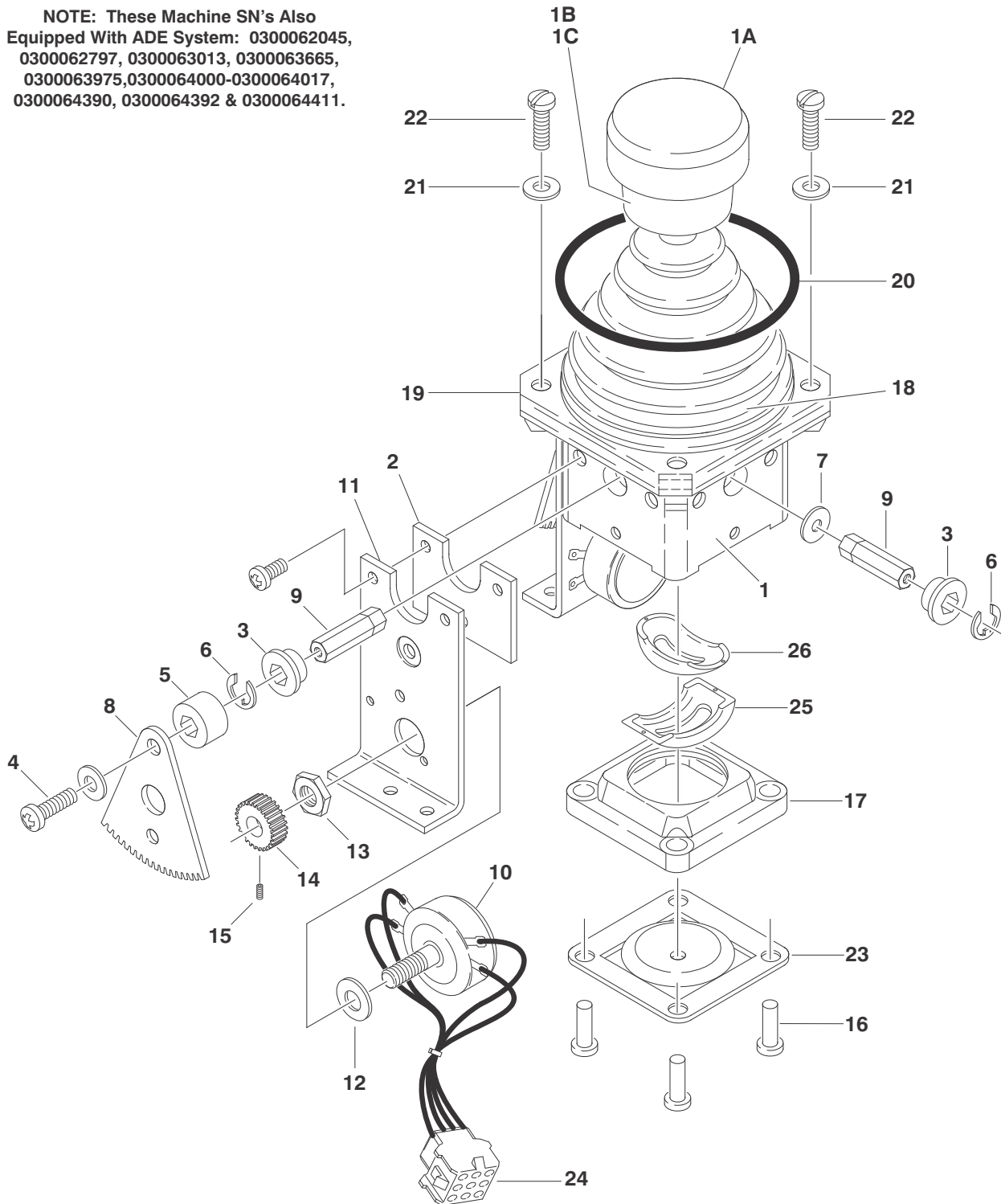
FIG & ITEM #	PART NUMBER	DESCRIPTION	QTY.	REV.

**S
E
C
T
I
O
N
4
P
L
A
T
F
O
R
M**

SECTION 4 PLATFORM

FIGURE 4-6. CONTROLLER ASSEMBLY (SWING AND LIFT) (PRIOR TO SN 0300064432)

NOTE: These Machine SN's Also Equipped With ADE System: 0300062045, 0300062797, 0300063013, 0300063665, 0300063975, 0300064000-0300064017, 0300064390, 0300064392 & 0300064411.



SECTION 4 PLATFORM

SECTION 4 PLATFORM

FIGURE 4-6. CONTROLLER ASSEMBLY (SWING AND LIFT) (PRIOR TO SN 0300064432)

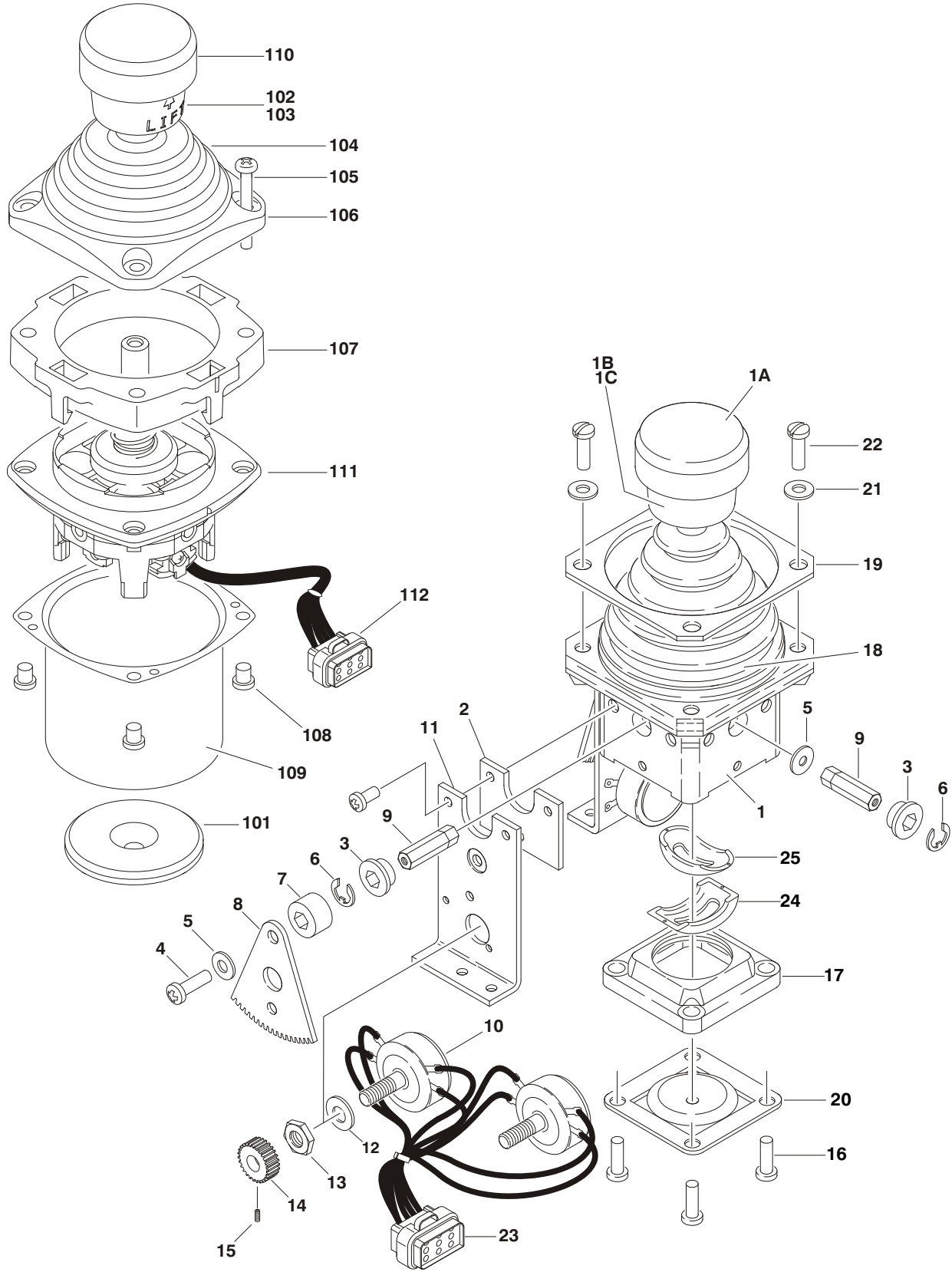
FIG & ITEM #	PART NUMBER	DESCRIPTION	QTY.	REV.
		NOTE: THESE MACHINE SN'S ALSO EQUIPPED WITH ADE SYSTEM: 0300062045, 0300062797, 0300063013, 0300063665, 0300063975, 0300064000-0300064017, 0300064390, 0300064392 & 0300064411.	Ref	
	1600284	CONTROLLER ASSEMBLY	Ref	A
1	7019141	Mechanical Assembly (Includes Base, Handle Stem & Items 1A, 1B, 1C & 18)	1	
1A	7019197	Handle Cap & Rod	1	
1B	7003928	Spring	1	
1C	7022808	Cap, Lift	1	
2	7019142	Plate	2	
3	7019111	Bearing, Gear	4	
4	7019143	Screw	2	
5	7019144	Spacer, Cam	2	
6	7019145	E-Clip	4	
7	7019146	Spacer	2	
8	7003977	Gear, Drive	2	
9	7019147	Shaft	4	
10	7003974	Potentiometer	2	
11	7019142	Plate	2	
12	7003992	Washer	2	
13	7003993	Nut	2	
14	7003976	Gear, Slave	2	
15	7019149	Setscrew	2	
16	7003952	Screw	4	
17	7019150	Gate	1	
18	Use 7022813	Boot (was p/n 7003955)	1	
19	Use 7022813	Plate, Plastic (was p/n 7003954)	1	
20	7003956	O-Ring	1	
21	7003953	Washer	4	
22	7019137	Screw	4	
23	See Note	Center, Detent (Note: Not Available for Purchase.)	1	
24	4460266	Connector - 9 Pin	1	
	4460268	Socket, Female	8	
	4460265	Plug - 9 Pin (Part of Platform Wiring) (Not Shown)	1	
	4460267	Pin, Male (Part of Platform Wiring) (Not Shown)	8	
25	7019122	Gimble, Outer	1	
26	7019123	Gimble, Inner	1	

SECTION 4 PLATFORM

SECTION 4 PLATFORM

FIGURE 4-7. CONTROLLER ASSEMBLY (SWING & LIFT) (WITH ADE SYSTEM)
 (SN 0300064432 TO SN 0300069000)

SECTION 4 PLATFORM



SECTION 4 PLATFORM

FIGURE 4-7. CONTROLLER ASSEMBLY (SWING & LIFT) (WITH ADE SYSTEM) (SN 0300064432 TO SN 0300069000)

FIG & ITEM #	PART NUMBER	DESCRIPTION	QTY.	REV.
		Note: Original Equipment controller may have been replaced with Service Replacement controller. Visually identify controller before ordering parts.	Ref	
		CONTROLLER ASSEMBLY	Ref	
	1600317	Controller Assembly (Original Equipment)	Ref	B
1	7019141	Mechanical Assembly (Includes Base, Handle Stem & Items 1A, 1B, 1C & 18)	1	
1A	7019197	Handle Cap & Rod	1	
1B	7003928	Spring	1	
1C	7022808	Cap, Lift	1	
2	7019171	Plate	2	
3	7019111	Bearing, Gear	4	
4	7019143	Screw	2	
5	7019144	Spacer, Cam	2	
6	7019145	E-Clip	4	
7	7019174	Spacer	2	
8	7003977	Gear, Drive	2	
9		Shaft Options:	2	
	7019147	Shaft, Short		
	7019177	Shaft, Long		
10	7022818	Potentiometer	2	
11	7019142	Plate	2	
12	7003992	Washer	2	
13	7003993	Nut	2	
14	7003976	Gear, Slave	2	
15	7019149	Setscrew	2	
16	7022816	Screw	4	
17	7019150	Gate	1	
18	7022814	Boot	1	
19	7022815	Bezel	1	
20	See Note	Center, Detent (Note: Not Available for Purchase.)	1	
21	7003953	Washer	4	
22	7022817	Screw	4	
23	7022819	Plug, Male 8 Position (Natural)	1	
	4460871	Socket, Female	8	
24	7019122	Gimble, Outer	1	
25	7019123	Gimble, Inner	1	
	Use 1001129555	Controller Assembly (Service Replacement)	Ref	A
		Note: Was p/n 1001118417 Assembly - Use p/n 1001129555 kit as replacement.	Ref	
101	70002730	Gasket	1	
102	7003928	Spring	1	
103	7022808	Cap, Lift	1	
104	70002731	Boot	1	
105	70002732	Screw	4	

SECTION 4 PLATFORM

FIGURE 4-7. CONTROLLER ASSEMBLY (SWING & LIFT) (WITH ADE SYSTEM) (SN 0300064432 TO SN 0300069000) (CONTINUED)

FIG & ITEM #	PART NUMBER	DESCRIPTION	QTY.	REV.
106	7022815	Bezel	1	
107	70002733	Adapter	1	
108	70002734	Screw	4	
109	70002735	Can, Enclosure	1	
110	70002906	Cap	1	
111	Use 1001129555	Mechanical Assembly (Note: Not Available for Purchase.)	1	
112	7022819	Plug, Male 8 Position (Natural) (Not Shown)	1	
	4460871	Socket, Female	6	

SECTION 4 PLATFORM

SECTION 4 PLATFORM

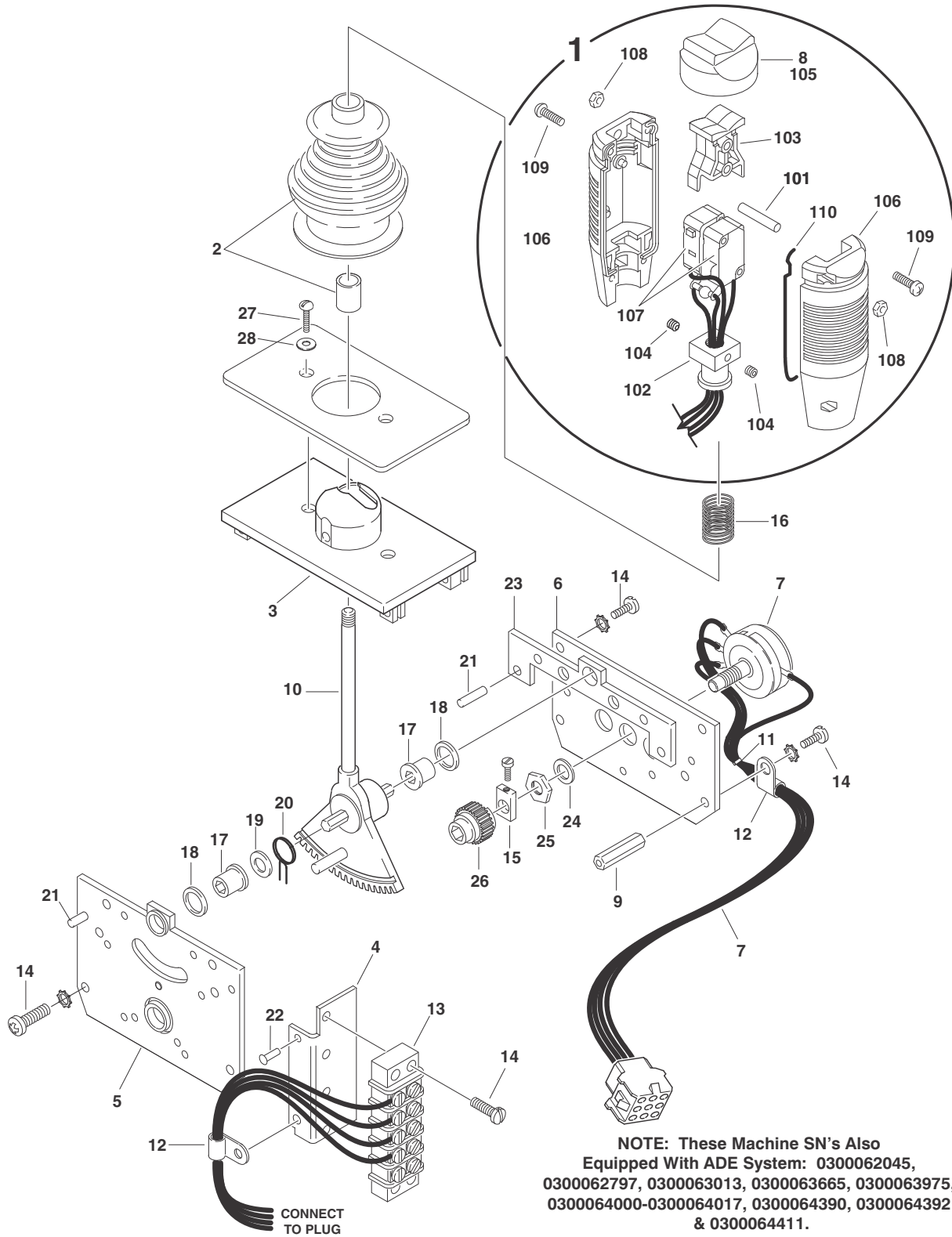
FIGURE 4-7. CONTROLLER ASSEMBLY (SWING & LIFT) (WITH ADE SYSTEM) (SN 0300064432 TO SN 0300069000) (CONTINUED)

FIG & ITEM #	PART NUMBER	DESCRIPTION	QTY.	REV.

**S
E
C
T
I
O
N
4
P
L
A
T
F
O
R
M**

SECTION 4 PLATFORM

FIGURE 4-8. CONTROLLER ASSEMBLY (DRIVE AND STEER) (PRIOR TO SN 0300064432)



SECTION 4 PLATFORM

SECTION 4 PLATFORM

FIGURE 4-8. CONTROLLER ASSEMBLY (DRIVE AND STEER) (PRIOR TO SN 0300064432)

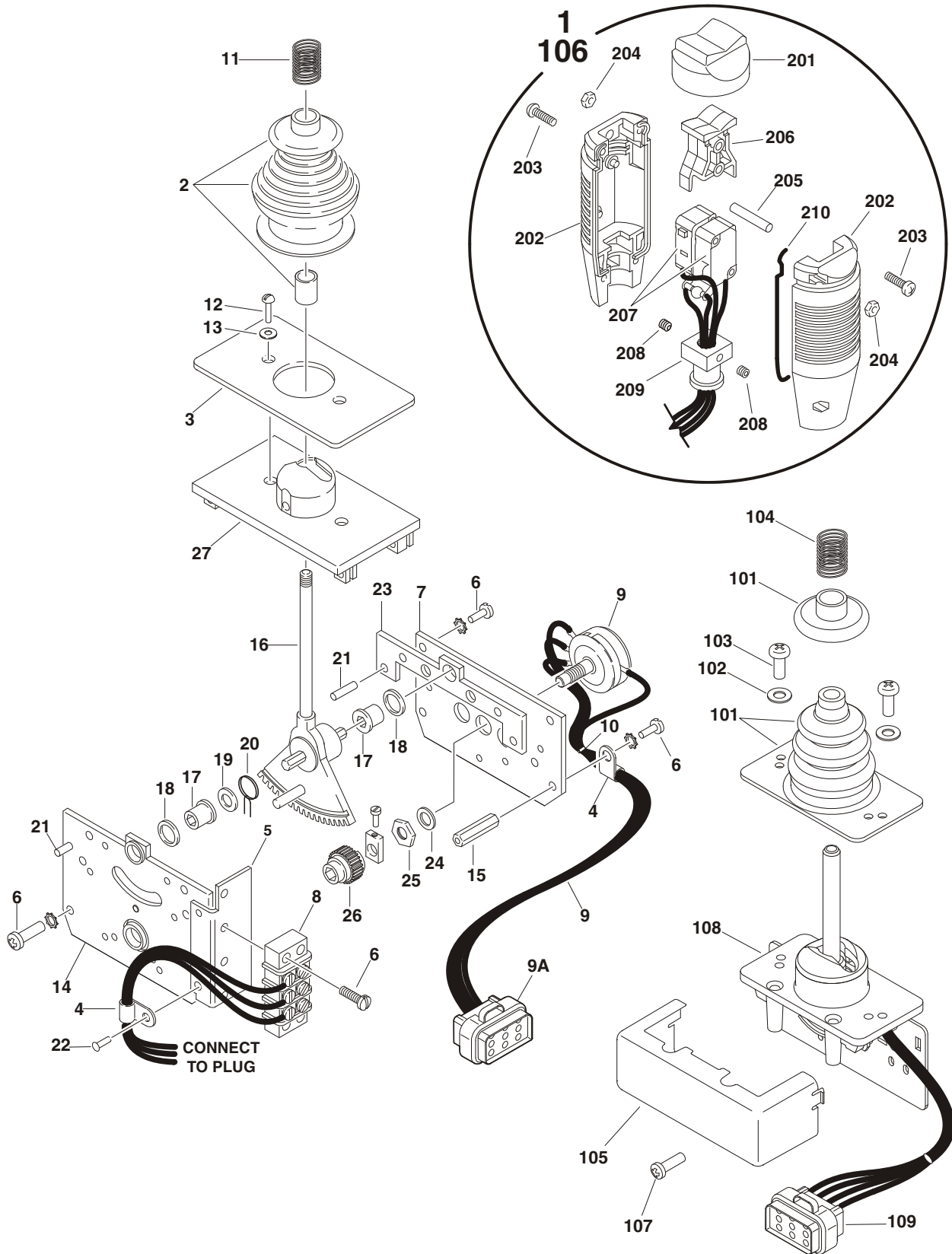
FIG & ITEM #	PART NUMBER	DESCRIPTION	QTY.	REV.
		NOTE: THESE MACHINE SN'S ALSO EQUIPPED WITH ADE SYSTEM: 0300062045, 0300062797, 0300063013, 0300063665, 0300063975, 0300064000-0300064017, 0300064390, 0300064392 & 0300064411.	Ref	
	1600283	CONTROLLER ASSEMBLY	Ref	A
1	7022810	Handle Assembly (See Items 101-110 for Breakdown)	1	
2	7019161	Boot and Sleeve	1	
3	7019160	Cast Housing Assembly	1	
4	7019159	Bracket, Mounting	1	
5	7019158	Plate, Mounting (Left Side)	1	
6	7019157	Plate, Pot Mounting	1	
7	7019156	Electric Assembly	1	
8	7003972	Boot, Rocker	1	
9	7019115	Stand-Off	2	
10	7019155	Shaft 8mm	1	
11	7019151	Tie-Strap	AR	
12	7019154	Clamp, Wire	2	
13	7019153	Strip, Terminal - 5 Position	1	
14	7019117	Screw	8	
15	7019163	Potentiometer Coupling Assembly	1	
16	7019162	Spring	1	
17	7019111	Bearing	2	
18	7019110	Spacer, Head Gear	2	
19	7019112	Washer	1	
20	7003946	Spring, Return	1	
21	7019103	Pin	4	
22	See Note	Rivet (Note: Not Available - Purchase Locally.)	1	
23	7019168	Plate, Mounting (Right Side)	1	
24	7003992	Washer	1	
25	7003993	Nut	1	
26	7003935	Gear, Slave	1	
27	7003969	Screw	2	
28	7003941	Washer	2	
	7022810	HANDLE ASSEMBLY	Ref	
101	7019164	Axle	1	
102	7019194	Coupling	1	
103	7019165	Rocker	1	
104	7003983	Setscrew	2	
105	7003972	Boot, Switch	1	
106	7003973	Half, Handle	2	
107	7019166	Switch, Micro	2	
108	7019167	Nut	4	
109	7003980	Screw	4	
110	7003989	Gasket	2	

SECTION 4 PLATFORM

SECTION 4 PLATFORM

FIGURE 4-9. CONTROLLER ASSEMBLY (DRIVE AND STEER) (WITH ADE SYSTEM)
(SN 0300064432 TO SN 0300069000)

SECTION 4 PLATFORM



SECTION 4 PLATFORM

FIGURE 4-9. CONTROLLER ASSEMBLY (DRIVE AND STEER) (WITH ADE SYSTEM) (SN 0300064432 TO SN 0300069000)

FIG & ITEM #	PART NUMBER	DESCRIPTION	QTY.	REV.
		Note: Original Equipment controller may have been replaced with Service Replacement controller. Visually identify controller before ordering parts.	Ref	
		CONTROLLER ASSEMBLY	Ref	
	1600318	Controller Assembly (Original Equipment)	Ref	C
1	7022812	Handle Assembly (See Items 201-210 for Breakdown)	1	
2	7019161	Boot and Sleeve	1	
3	7003933	Gasket	1	
4	7019154	Clamp, Wire	2	
5	7022823	Bracket, Mounting	1	
6	7003994	Screw	1	
7	7022822	Plate, Pot Mounting	1	
8	7003986	Strip, Terminal - 3 Position	1	
9	7022824	Electric Assembly	1	
9A	Use 1001113961	Plug, Male - 8 Position (Black) (was p/n 7022825)	1	
	4460871	Socket, Female	7	
10	7019151	Tie-Strap	AR	
11	7019162	Spring	1	
12	7003969	Screw	2	
13	7003941	Washer	2	
14	See Note	Plate, Mounting (Left Side) (Note: Not Available for Purchase.)	1	
15	7019115	Stand-Off	2	
16	7019155	Shaft 8mm	1	
17	7019111	Bearing	2	
18	7019110	Spacer, Head Gear	2	
19	7019112	Washer	1	
20	7003946	Spring, Return	1	
21	7019103	Pin	4	
22	See Note	Rivet (Note: Not Available - Purchase Locally.)	1	
23	7019168	Plate, Mounting (Right Side)	1	
24	7003992	Washer	1	
25	7003993	Nut	1	
26	7003935	Gear, Slave	1	
27	7019160	Plate, Base	1	
28	7019114	Coupling, Potentiometer	1	
29	See Note	Capscrew (Note: Not Available for Purchase.)	1	
	1001118416	Controller Assembly (Service Replacement)	Ref	A
101	70002724	Boot & Control Lock Assembly	1	
102	7003941	Washer	2	
103	70002725	Screw	2	
104	7019162	Spring	1	
105	70002726	Enclosure	1	

SECTION 4 PLATFORM

FIGURE 4-9. CONTROLLER ASSEMBLY (DRIVE AND STEER) (WITH ADE SYSTEM) (SN 0300064432 TO SN 0300069000) (CONTINUED)

FIG & ITEM #	PART NUMBER	DESCRIPTION	QTY.	REV.
106	7022812	Handle Assembly (See Items 201-210 for Break-down)	1	
107	70002728	Screw	1	
108	Use 1001118416	Mechanical Assembly (Note: Not Available for Purchase.)	1	
109	Use 1001113961 4460871	Plug, Male - 8 Position (Black) (was p/n 7022825) Socket, Female	1 7	
		HANDLE ASSEMBLIES	Ref	
	7022812	Controller Assembly p/n 1600318	Ref	
	70002727	Controller Assembly p/n 1001118416	Ref	
201	7003972	Boot, Switch	1	
202	7003973	Half, Handle	2	
203	7003980	Screw	4	
204	7019167	Nut	4	
205	7019164	Axle	1	
206	7019165	Rocker	1	
207		Wiring Assembly Options:	AR	
	7019196	Controller Assembly p/n 1600318	1	
	7019166	Switch, Micro	2	
	70002729	Controller Assembly p/n 1001118416	1	
	7003982	Switch, Micro	2	
208	7003983	Setscrew	2	
209	7019194	Coupling	1	
210	7003989	Gasket	2	

SECTION 4 PLATFORM

SECTION 4 PLATFORM

FIGURE 4-9. CONTROLLER ASSEMBLY (DRIVE AND STEER) (WITH ADE SYSTEM) (SN 0300064432 TO SN 0300069000) (CONTINUED)

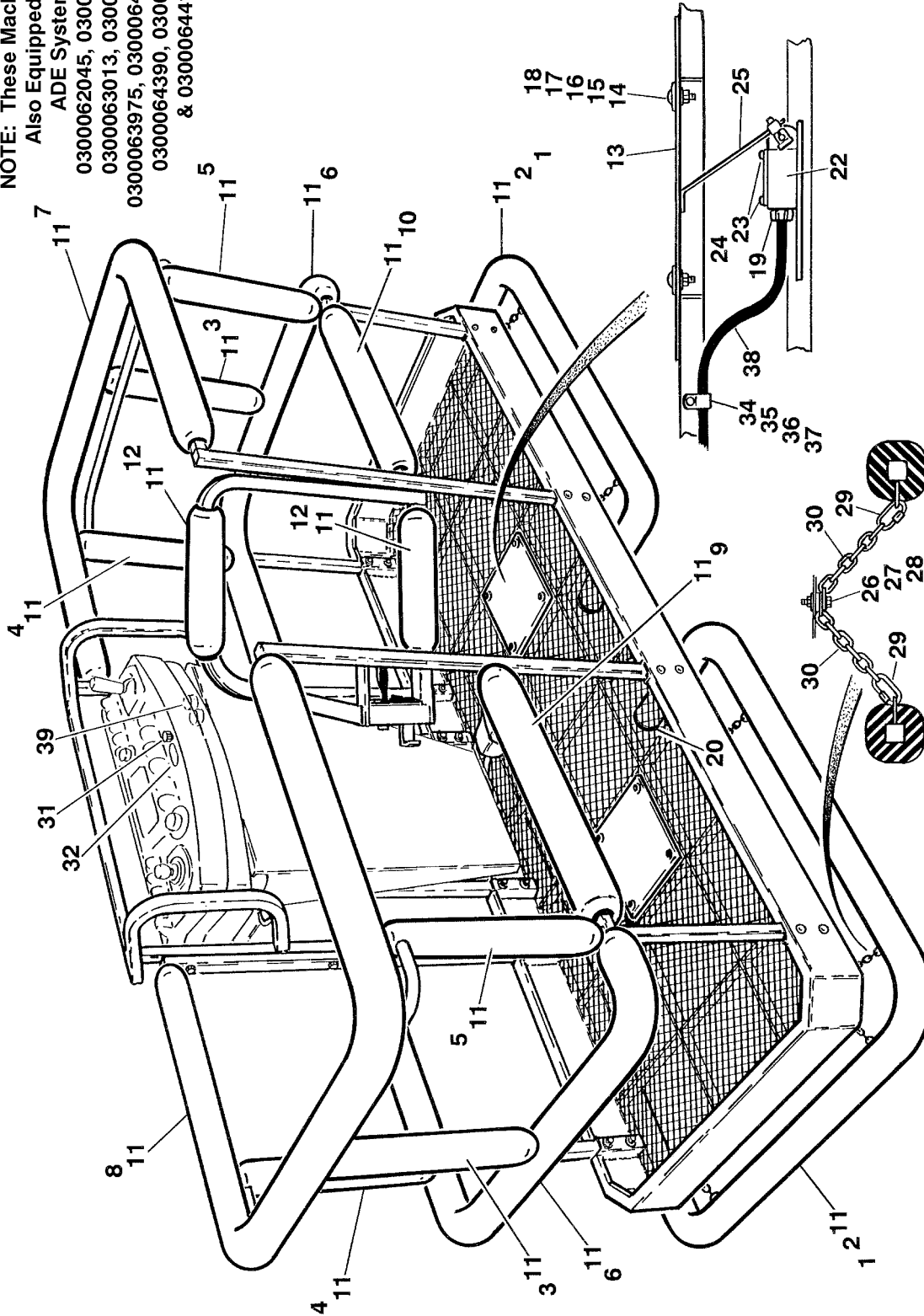
FIG & ITEM #	PART NUMBER	DESCRIPTION	QTY.	REV.

**S
E
C
T
I
O
N
4
P
L
A
T
F
O
R
M**

SECTION 4 PLATFORM

FIGURE 4-10. SOFT TOUCH SYSTEM INSTALLATION (OPTIONAL)

NOTE: These Machine S/N's
Also Equipped With
ADE System:
0300062045, 0300062797,
0300063013, 0300063665,
0300063975, 0300064000-64017,
0300064390, 0300064392
& 0300064411.



SECTION 4 PLATFORM

FIGURE 4-10. SOFT TOUCH SYSTEM INSTALLATION (OPTIONAL)

FIG & ITEM #	PART NUMBER	DESCRIPTION	QTY.	REV.
		NOTE: THESE MACHINE SN'S ALSO EQUIPPED WITH ADE SYSTEM: 0300062045, 0300062797, 0300063013, 0300063665, 0300063975, 0300064000-0300064017, 0300064390, 0300064392 & 0300064411.	Ref	
		SOFT TOUCH SYSTEM INSTALLATIONS OPTIONS:	Ref	
	0257849	6Ft/1.8m Platforms (Prior to SN 0300064432)	Ref	1
	0271550	6Ft/1.8m Platforms - ADE System (SN 0300064432 to SN 0300069000)	Ref	1
	0257850	8Ft/2.4m Platforms (Prior to SN 0300064432)	Ref	1
	0271551	8Ft/2.4m Platforms - ADE System (SN 0300064432 to SN 0300069000)	Ref	1
1		Rail Weldment Options:	2	
	4845308	6ft/1.8m Platforms		
	4845309	8Ft/2.4m Platforms		
2		Cover, Rail Options:	2	
	1670804	6ft/1.8m Platforms		
	1670803	8Ft/2.4m Platforms		
3	1670787	Cover, End Post	2	
4	1670785	Cover, Front Right Post	2	
5	1670786	Cover, Front Left Post	2	
6	1670793	Cover, End Mid Rail	2	
7		Cover, Right End Top Options:	1	
	1670798	6ft/1.8m Platforms		
	1670796	8Ft/2.4m Platforms		
8		Cover, Left End Top Options:	1	
	1670797	6ft/1.8m Platforms		
	1670795	8Ft/2.4m Platforms		
9		Cover, Left End Mid Options:	1	
	1670799	6ft/1.8m Platforms		
	1670789	8Ft/2.4m Platforms		
10		Cover, Right End Mid Options:	1	
	1670801	6ft/1.8m Platforms		
	1670791	8Ft/2.4m Platforms		
11	0940038	Padding, Bumper	70ft/21.4m	
12	1670788	Cover, Gate	2	
13	3539719	Plate, Switch Strike	2	
14	0630462	Bolt, Carriage	8	
15	4761500	Lockwasher 5/16in	8	
16	4751800	Flatwasher 1/2in	8	
17	3311501	Nut 5/16in-18NC	8	
18	4751500	Flatwasher 5/16in	8	
19	4460049	Connector, Strain Relief	2	
20	3530072	Plug, Cap	4	
21	Not Used			
22	4360057	Switch, Limit	2	
23	0731005	Bolt #10-32NC x 5/8in	4	

SECTION 4 PLATFORM

SECTION 4 PLATFORM

FIGURE 4-10. SOFT TOUCH SYSTEM INSTALLATION (OPTIONAL) (CONTINUED)

FIG & ITEM #	PART NUMBER	DESCRIPTION	QTY.	REV.
24	4751000	Lockwasher #10	4	
25	0200550	Arm, Switch	2	
26	0641612	Bolt 3/8in-16NC x 1-1/2in	8	
27	4751600	Flatwasher 3/8in	40	
28	3311605	Locknut 3/8in-16NC	8	
29	3010088	Link, Quick	16	
30	1260136	Chain	10ft/3m	
31	4360387	Switch, Push Button	1	
32	1702938	Decal - Soft Touch Override	1	
33	Not Used			
34	1320040	Clamp	4	
35	0641406	Bolt 1/4in-20NC x 3/4in	4	
36	4711400	Flatwasher 1/4in	8	
37	3311405	Locknut 1/4in-20NC	4	
38		Cable, Electrical Options:	16ft/4.9m	
	1060330	Prior to SN 0300064432 (16/3)		
	1060341	SN 0300064432 to SN 0300069000 (16/2)		
39	4460425	Connector, Strain Relief	1	
	0258763	SOFT TOUCH COUNTERWEIGHT INSTALLATION (NOT SHOWN) (PRIOR TO SN 0300068374)	Ref	A
	4845872	Counterweight (Located in Frame)	1	
	0272444	SOFT TOUCH COUNTERWEIGHT INSTALLATION (NOT SHOWN) (SN 0300068374 TO SN 0300069000)	Ref	B
	4821397	Counterweight (Located in Frame)	1	

SECTION 4 PLATFORM

SECTION 5 CYLINDER

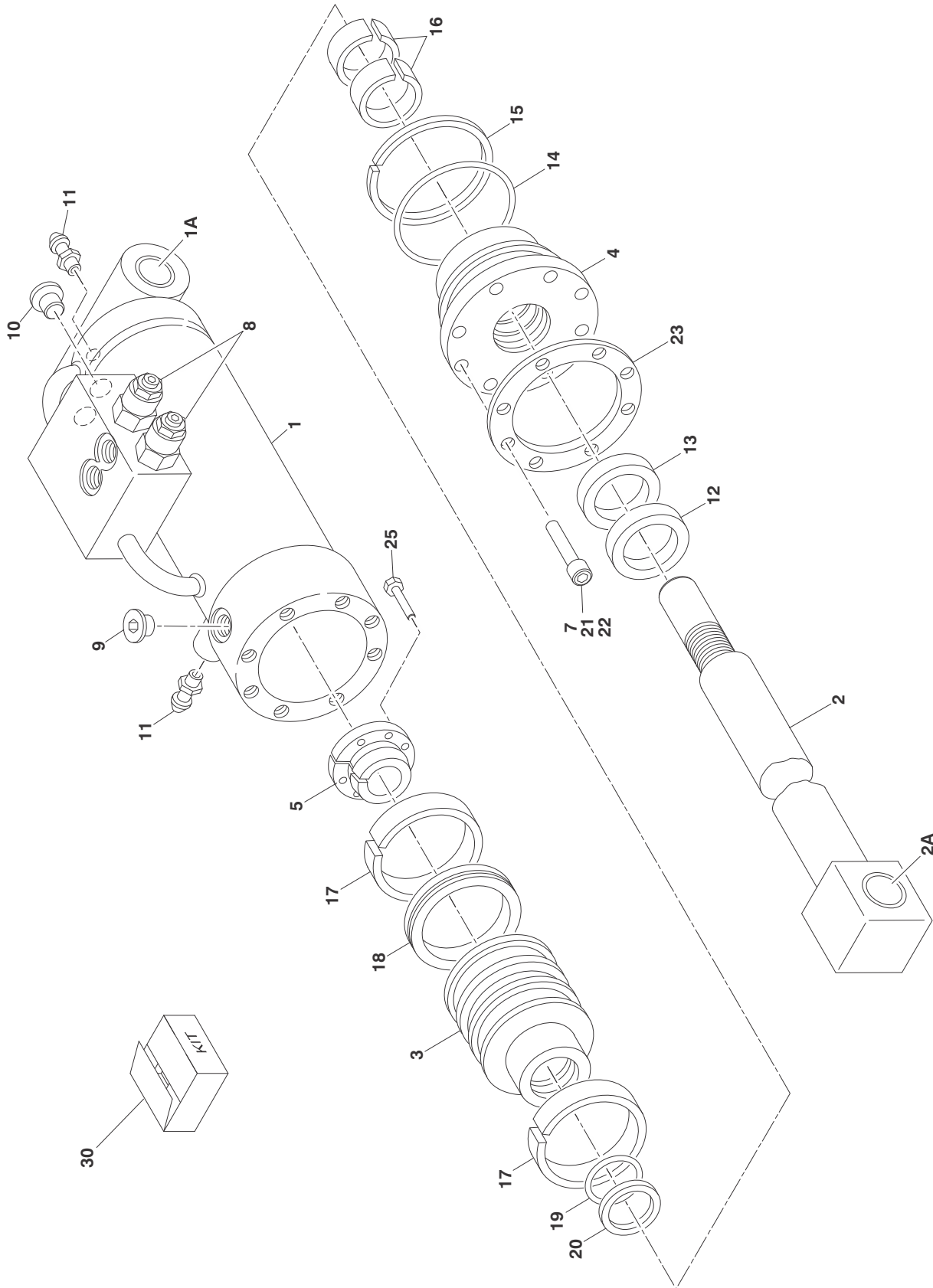
TABLE OF CONTENTS

FIGURE	DESCRIPTION	PAGE
5-1	AXLE LOCKOUT CYLINDER ASSEMBLY	5-2
5-2	UPRIGHT LEVEL CYLINDER ASSEMBLY	5-4
5-3	LIFT CYLINDER ASSEMBLY - JIB (800AJ ONLY)	5-6
5-4	LIFT CYLINDER ASSEMBLY - MAIN BOOM	5-8
5-5	LIFT CYLINDER ASSEMBLY - TOWER BOOM	5-10
5-6	MASTER CYLINDER ASSEMBLY - 800A	5-12
5-7	MASTER CYLINDER ASSEMBLY - 800AJ	5-14
5-8	SLAVE CYLINDER ASSEMBLIES	5-16
5-9	STEER CYLINDER ASSEMBLY	5-20
5-10	TELESCOPE CYLINDER ASSEMBLY - MAIN	5-22
5-11	TELESCOPE CYLINDER ASSEMBLY - TOWER	5-24

SECTION 5 CYLINDER

SECTION 5 CYLINDER

FIGURE 5-1. AXLE LOCKOUT CYLINDER ASSEMBLY



5
CYLINDER
5
NON-ROTATION
5

SECTION 5 CYLINDER

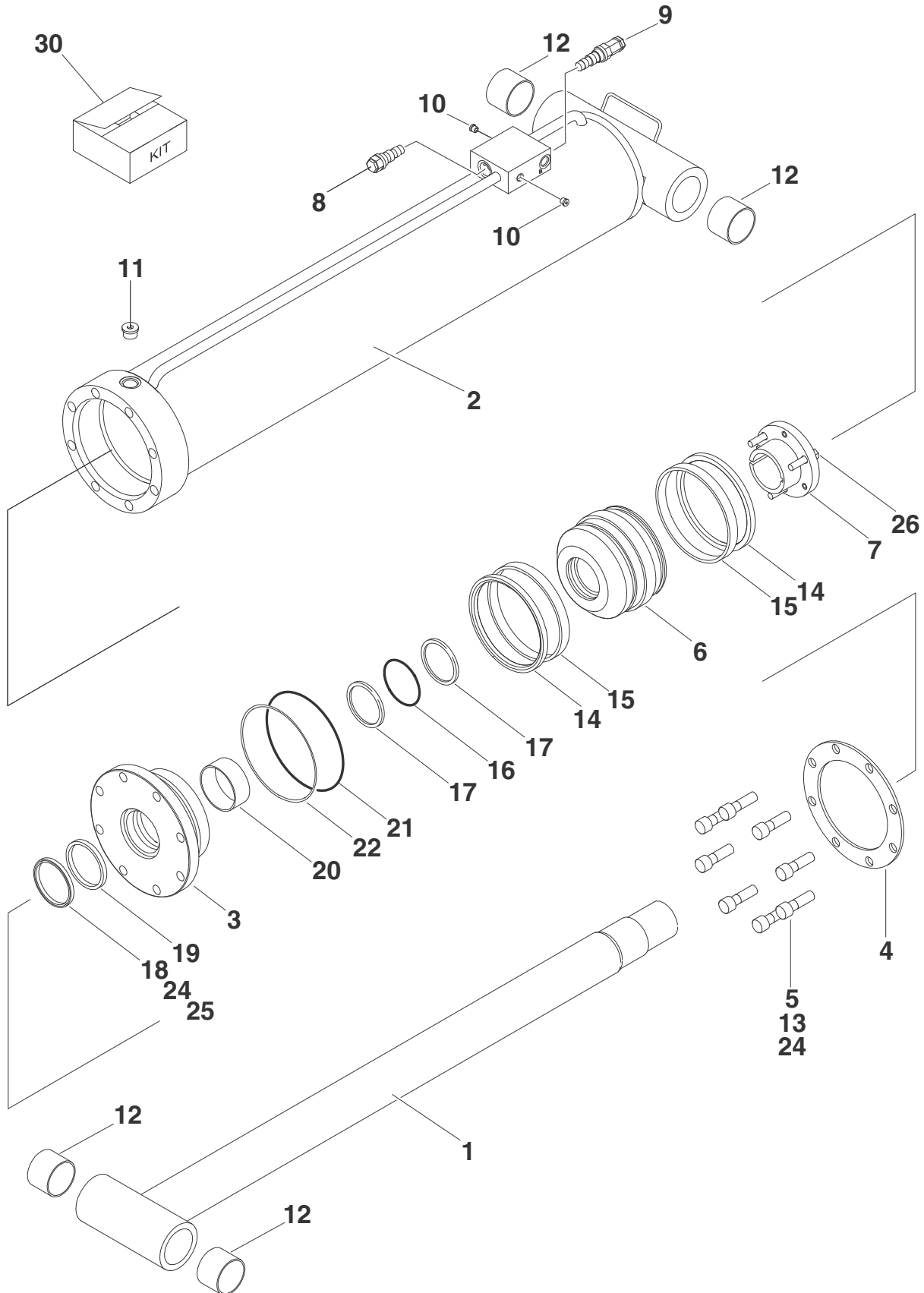
FIGURE 5-1. AXLE LOCKOUT CYLINDER ASSEMBLY

FIG & ITEM #	PART NUMBER	DESCRIPTION	QTY.	REV.
	1683078	AXLE LOCKOUT CYLINDER ASSEMBLY	Ref	G
1		Barrel Weldment Options: (Note: Includes Item 1A)	1	
	1683079	Prior to SN 0300056912		
	1683987	SN 0300056912 to SN 0300065395		
	1684191	SN 0300065395 to SN 0300069000		
1A	0961816	Bushing	2	
2		Rod Weldment Options: (Note: Includes Item 2A)	1	
	1683081	Prior to SN 0300056912		
	1683986	SN 0300056912 to SN 0300069000		
2A	0961816	Bushing	2	
3	3480176	Piston	1	
4	1683059	Head	1	
5	0961895	Bushing	1	
6	Not Used			
7	3931720	Bolt, Socket Head 7/16in-14NC x 1-1/4in	8	
8		Cartridge, Valve Options (Counterbalance):	2	
	4640525	Prior to SN 0300056912		
	2900770	Seal Kit - 4640525 Valve (1 Per Assembly)	2	
	4641162	SN 0300056912 to SN 0300069000		
	2900770	Seal Kit - 4641162 Valve (1 Per Assembly)	2	
9	2220886	Plug, O-Ring	1	
10	2220885	Plug, O-Ring	2	
11	4640858	Valve, Bleeder	3	
12	Use 2901271	Wiper	1	
13	Use 2901271	Seal, Rod	1	
14	Use 2901271	O-Ring	1	
15	Use 2901271	Ring, Back-up	1	
16	Use 2901271	Ring, Wear	1	
17	Use 2901271	Ring, Wear	2	
18	Use 2901271	T-Seal	1	
19	Use 2901271	O-Ring	1	
20	Use 2901271	Ring, Back-up	2	
21	0100011	Compound, Locking	AR	
22	0100038	Primer, Locking	AR	
23	3760367	Ring, Washer	1	
24	Not Used			
25	0630535	Bolt 1/4in-20NC x 1-1/8in	3	
26 to 29	Not Used			
30	2901271	Seal Kit (Includes Items 12-20)	1	

SECTION 5 CYLINDER

SECTION 5 CYLINDER

FIGURE 5-2. UPRIGHT LEVEL CYLINDER ASSEMBLY



SECTION 5 CYLINDER

SECTION 5 CYLINDER

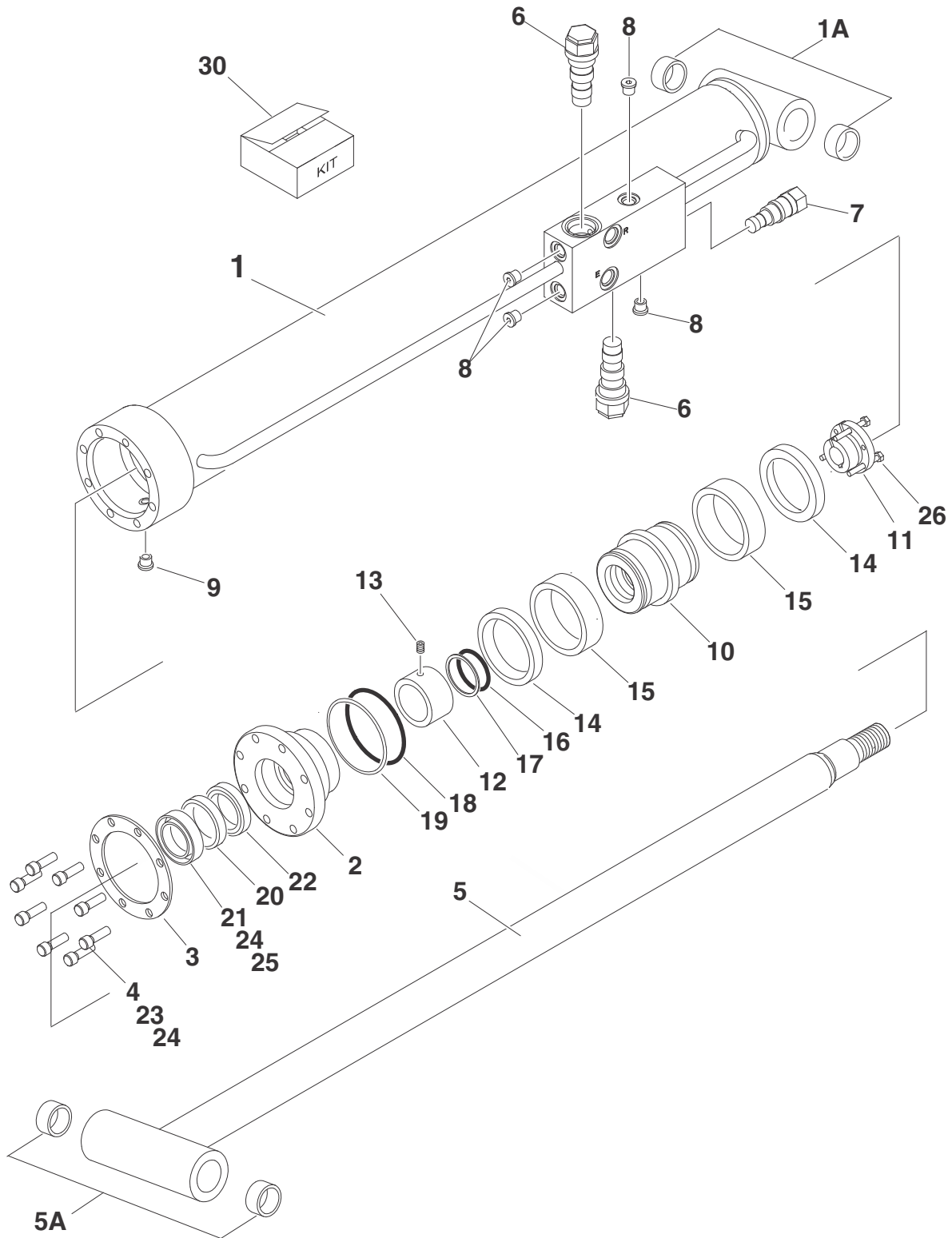
FIGURE 5-2. UPRIGHT LEVEL CYLINDER ASSEMBLY

FIG & ITEM #	PART NUMBER	DESCRIPTION	QTY.	REV.
		Note: Original Equipment Cylinder may have been replaced with Service Replacement Cylinder. Identify p/n stamped on cylinder before ordering parts.	Ref	
		UPRIGHT LEVEL CYLINDER ASSEMBLY	Ref	
	1683546	Original Equipment	Ref	G
	1684497	Service Replacement	Ref	C
1	1683544	Rod Weldment	1	
2	Use 0370034	Barrel Weldment (was p/n 1683545 & p/n 1683819)	1	
3	1683071	Head	1	
4	3760374	Ring, Washer	1	
5	3932240	Bolt, Socket Head 3/4in x 2-1/2in	8	
6	3480237	Piston	1	
7	0961901	Bushing, Tapered	1	
8	4640509	Cartridge, Valve	1	
	2900792	Seal Kit - 4640509 Valve	1	
9	4640605	Cartridge, Valve	1	
	2900792	Seal Kit - 4640605 Valve	1	
10	2220883	Plug, O-Ring	2	
11	2220888	Plug, O-Ring	1	
12	0962102	Bushing	4	
13	Not Used			
14	Use 2901526	Ring, Lock	2	
15	Use 2901526	Seal	2	
16	Use 2901526	Ring, Washer	1	
17	Use 2901526	Ring, Back-up	2	
18	Use 2901526	Wiper	1	
19	Use 2901526	Seal, Rod	1	
20	Use 2901526	Ring, Wear	1	
21	Use 2901526	O-Ring	1	
22	Use 2901526	Ring, Back-up	1	
23	0100011	Compound, Locking	AR	
24	0100038	Primer, Locking	AR	
25	0100063	Loctite #RC609	AR	
26		Hardware Options:	3	
	0641818	Bolt 1/2in-13NC x 2-1/2in (Prior to SN 0300045154)		
	0630537	Bolt (SN 0300045154 to SN 0300069000)		
27 to 29	Not Used			
30	2901526	Seal Kit (Includes Items 14-22)	1	

SECTION 5 CYLINDER

SECTION 5 CYLINDER

FIGURE 5-3. LIFT CYLINDER ASSEMBLY - JIB (800AJ ONLY)



SECTION 5 CYLINDER

SECTION 5 CYLINDER

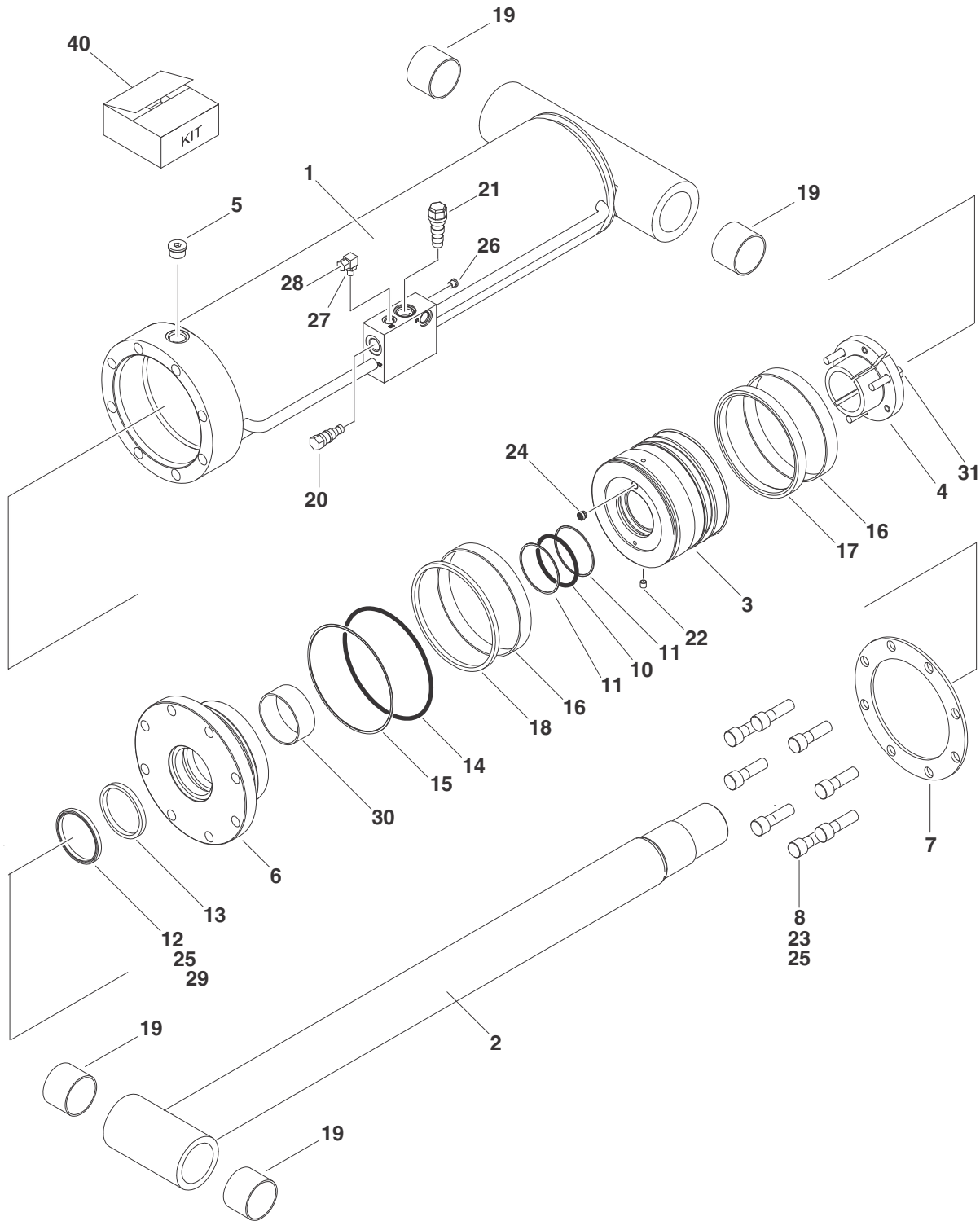
FIGURE 5-3. LIFT CYLINDER ASSEMBLY - JIB (800AJ ONLY)

FIG & ITEM #	PART NUMBER	DESCRIPTION	QTY.	REV.
	1683609	JIB LIFT CYLINDER ASSEMBLY	Ref	D
1		Barrel Weldment Options: (Note: Includes Item 1A)	1	
	1683687	Prior to SN 0300062045		
	1684089	SN 0300062045 to SN 0300069000		
1A		Bushing Options:	2	
	0961947	Prior to SN 0300054012		
	0962336	SN 0300054012 to SN 0300069000		
2	1683053	Head	1	
3	3760368	Washer, Ring	1	
4	3931516	Bolt, Socket Head 5/16in-18NC x 2in	8	
5		Rod Weldment Options: (Note: Includes Item 5A)	1	
	1683261	Prior to SN 0300062045		
	1684090	SN 0300062045 to SN 0300069000		
5A		Bushing Options:	2	
	0961947	Prior to SN 0300054012		
	0962336	SN 0300054012 to SN 0300069000		
6	4640509	Cartridge, Valve (Counterbalance Non-Vented)	2	
	2900792	Seal Kit - 4640509 Valve	2	
7	4641062	Plug, P.O. Check	1	
8	2220883	Plug, O-Ring	4	
9	2220885	Plug, O-Ring	1	
10	3480210	Piston	1	
11	0961893	Bushing, Tapered	1	
12	4566471	Spacer, Tube	1	
13	3900141	Setscrew 1/4in-20NC x 1/4in	1	
14	Use 2901303	Ring, Lock	2	
15	Use 2901303	Seal, Piston	2	
16	Use 2901303	O-Ring	1	
17	Use 2901303	Ring, Back-up	2	
18	Use 2901303	O-Ring	1	
19	Use 2901303	Ring, Back-up	1	
20	Use 2901303	Seal	1	
21	Use 2901303	Wiper	1	
22	Use 2901303	Ring, Wear	1	
23	0100011	Compound, Locking	AR	
24	0100038	Primer, Locking	AR	
25	0100063	Loctite #RC609	AR	
26	0630534	Capscrew, Socket Head #10-24NC x 1in	3	
27 to 29	Not Used			
30	2901303	Seal Kit (Includes Items 14-22)	1	

SECTION 5 CYLINDER

SECTION 5 CYLINDER

FIGURE 5-4. LIFT CYLINDER ASSEMBLY - MAIN BOOM



SECTION 5 CYLINDER

SECTION 5 CYLINDER

FIGURE 5-4. LIFT CYLINDER ASSEMBLY - MAIN BOOM

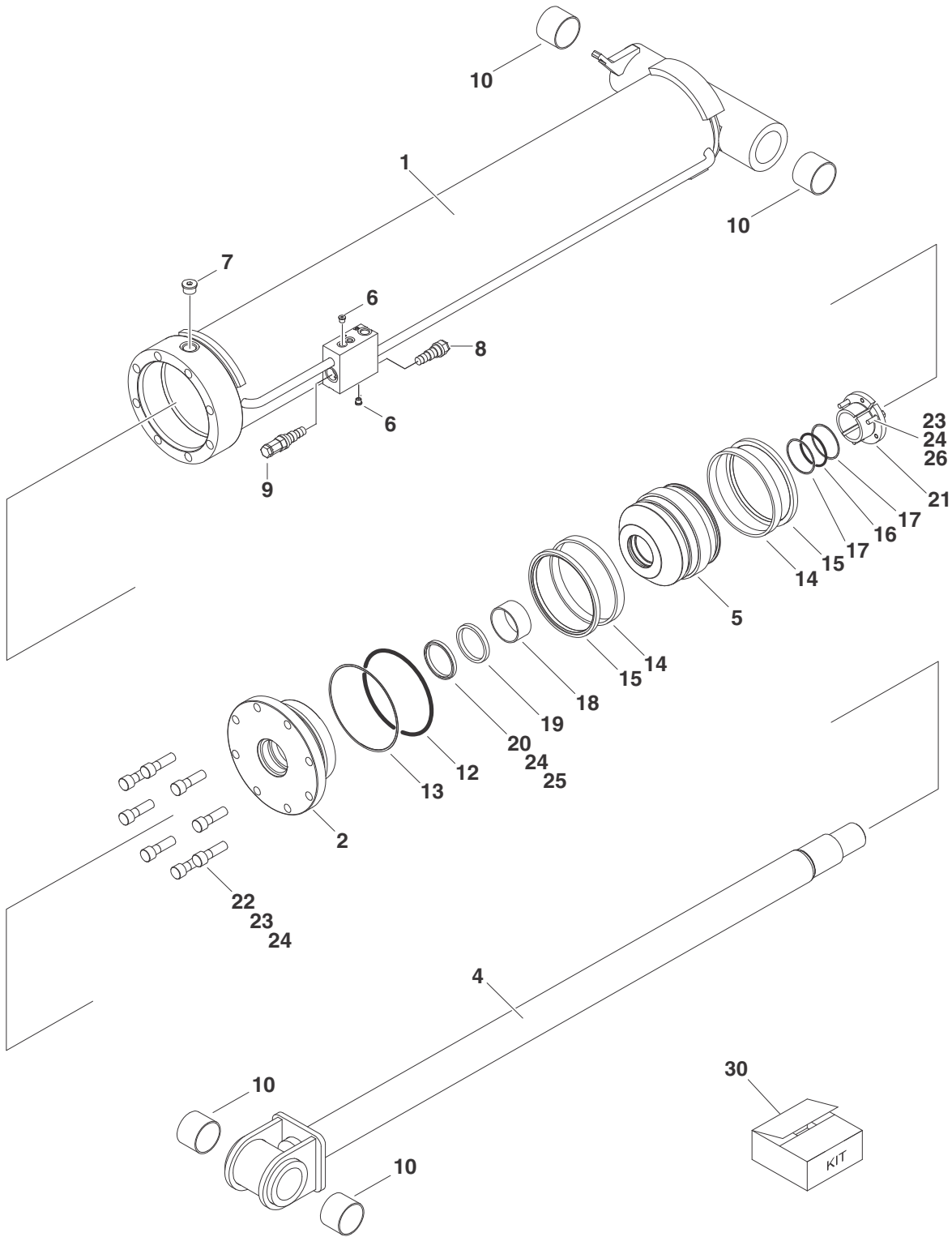
FIG & ITEM #	PART NUMBER	DESCRIPTION	QTY.	REV.
	1683547	MAIN BOOM LIFT CYLINDER ASSEMBLY	Ref	I
1	Use 1683821	Barrel Weldment Options: Prior to SN 0300045154 (was p/n 1683548) SN 0300045154 to SN 0300069000	1	
	1683821			
2	1683549	Rod Weldment	1	
3	3480238	Piston	1	
4	0961901	Bushing, Tapered	1	
5	2220888	Plug, O-Ring	1	
6	1683071	Head	1	
7	3760374	Washer, Ring	1	
8	3932240	Bolt, Socket Head 3/4in x 2-1/2in	8	
9	Not Used			
10	Use 2901514	O-Ring	1	
11	Use 2901514	Ring, Back-up	2	
12	Use 2901514	Wiper	1	
13	Use 2901514	Seal, Rod	1	
14	Use 2901514	O-Ring	1	
15	Use 2901514	Ring, Back-up	1	
16	Use 2901514	Ring, Wear	2	
17	Use 2901514	T-Seal	1	
18	Use 2901514	Seal	1	
19	0962102	Bushing, Garmax	4	
20	4641062	Cartridge, Cavity Plug	1	
21	4640509	Cartridge, Valve	1	
	2900792	Seal Kit - 4640509 Valve	1	
22	2180615	Orifice	1	
23	0100011	Compound, Locking	AR	
24	4641027	Plug, Check Valve	1	
25	0100038	Primer, Locking	AR	
26	2220883	Plug	1	
27	2220775	Fitting	1	
28	2220516	Fitting	1	
29	0100063	Loctite #RC609	AR	
30	Use Item 40	Ring, Wear	1	
31		Hardware Options:	3	
	0641818	Bolt 1/2in-13NC x 2-1/2in (Prior to SN 0300045154)		
	0630537	Bolt (SN 0300045154 to SN 0300069000)		
32 to 39	Not Used			
40	2901514	Seal Kit (Includes Items 10-18 & 30)	1	

SECTION 5 CYLINDER

SECTION 5 CYLINDER

FIGURE 5-5.LIFT CYLINDER ASSEMBLY - TOWER BOOM

SECTION
5
CYLINDER



SECTION 5 CYLINDER

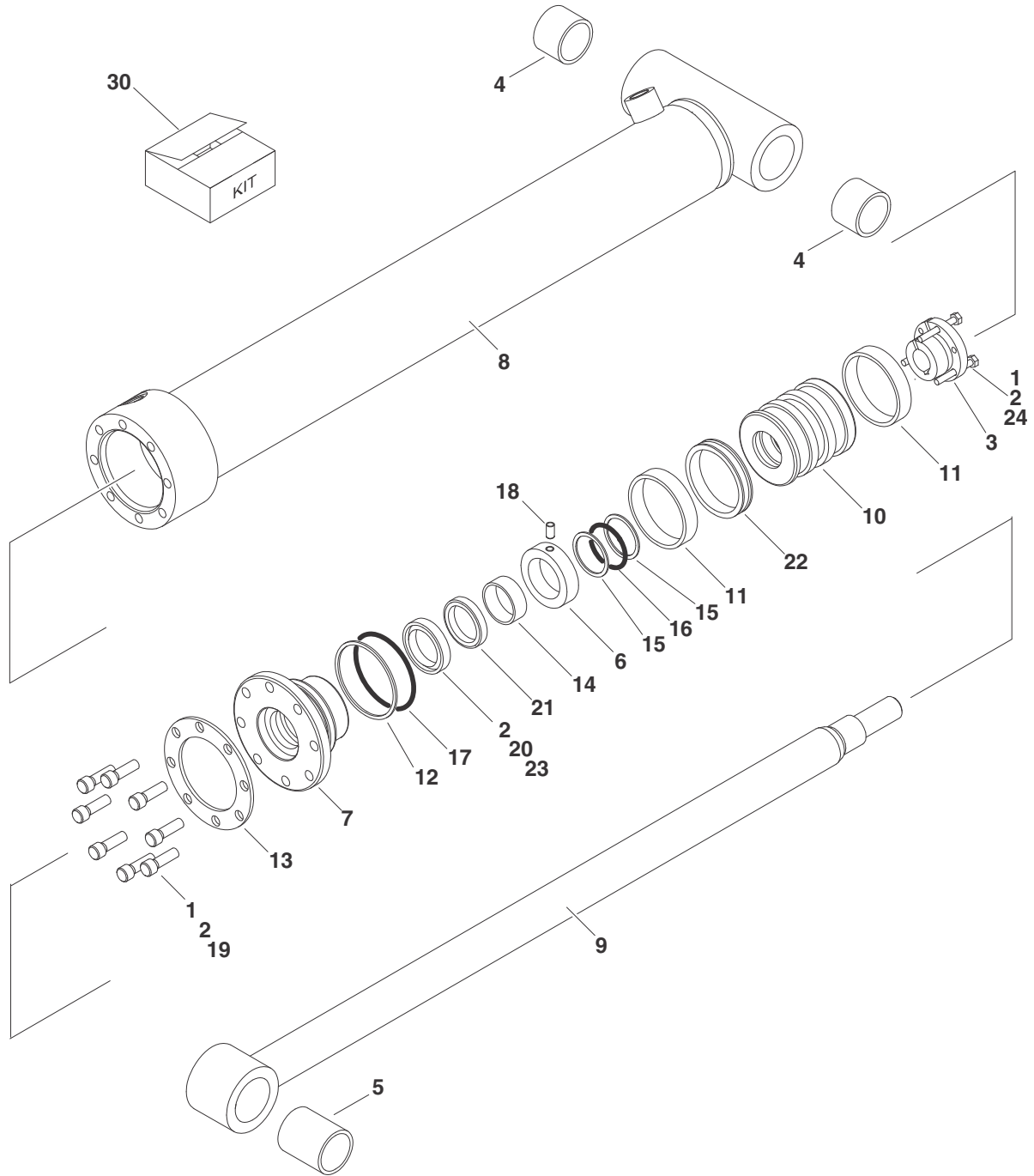
FIGURE 5-5. LIFT CYLINDER ASSEMBLY - TOWER BOOM

FIG & ITEM #	PART NUMBER	DESCRIPTION	QTY.	REV.
	1683537	TOWER LIFT CYLINDER ASSEMBLY	Ref	G
1	Use 1683823 1683823	Barrel Weldment Options: Prior to SN 0300045154 (was p/n 1683538) SN 0300045154 to SN 0300069000	1	
2	Use 1683818 1683818	Head Options: Prior to SN 0300045154 (was p/n 1683073) SN 0300045154 to SN 0300069000	1	
3	3760374	Ring, Washer (Prior to SN 0300045154 Only)	1	
4	1683539	Rod Weldment	1	
5	3480236	Piston	1	
6	2220883	Plug, O-Ring	2	
7	2220888	Plug, O-Ring	1	
8	4640509	Cartridge, Valve	1	
	2900792	Seal Kit - 4640999 Valve	1	
9	4640605	Cartridge, Valve	1	
	2900792	Seal Kit - 4640605 Valve	1	
10	0962102	Bushing, Garmax	4	
11	Not Used			
12	Use 2901537	O-Ring	1	
13	Use 2901537	Ring, Lock	1	
14	Use 2901537	Seal	2	
15	Use 2901537	Ring, Lock	2	
16	Use 2901537	O-Ring	1	
17	Use 2901537	Ring, Back-up	2	
18	Use 2901537	Ring, Wear	1	
19	Use 2901537	Seal	1	
20	Use 2901537	Wiper	1	
21	0961903	Bushing, Tapered	1	
22	3932240	Capscrew, Socket Head 3/4in x 2-1/2in	8	
23	0100011	Compound, Locking	AR	
24	0100038	Primer, Locking	AR	
25	0100063	Loctite #RC609	AR	
26		Hardware Options:	3	
	0641612	Bolt 3/8in-16NC x 1-1/2in (Prior to SN 0300045154)		
	0630536	Bolt (SN 0300045154 to SN 0300069000)		
27 to 29	Not Used			
30	2901537	Seal Kit (Includes Items 12-20)	1	

SECTION 5 CYLINDER

SECTION 5 CYLINDER

FIGURE 5-6.MASTER CYLINDER ASSEMBLY - 800A



SECTION 5 CYLINDER

SECTION 5 CYLINDER

FIGURE 5-6. MASTER CYLINDER ASSEMBLY - 800A

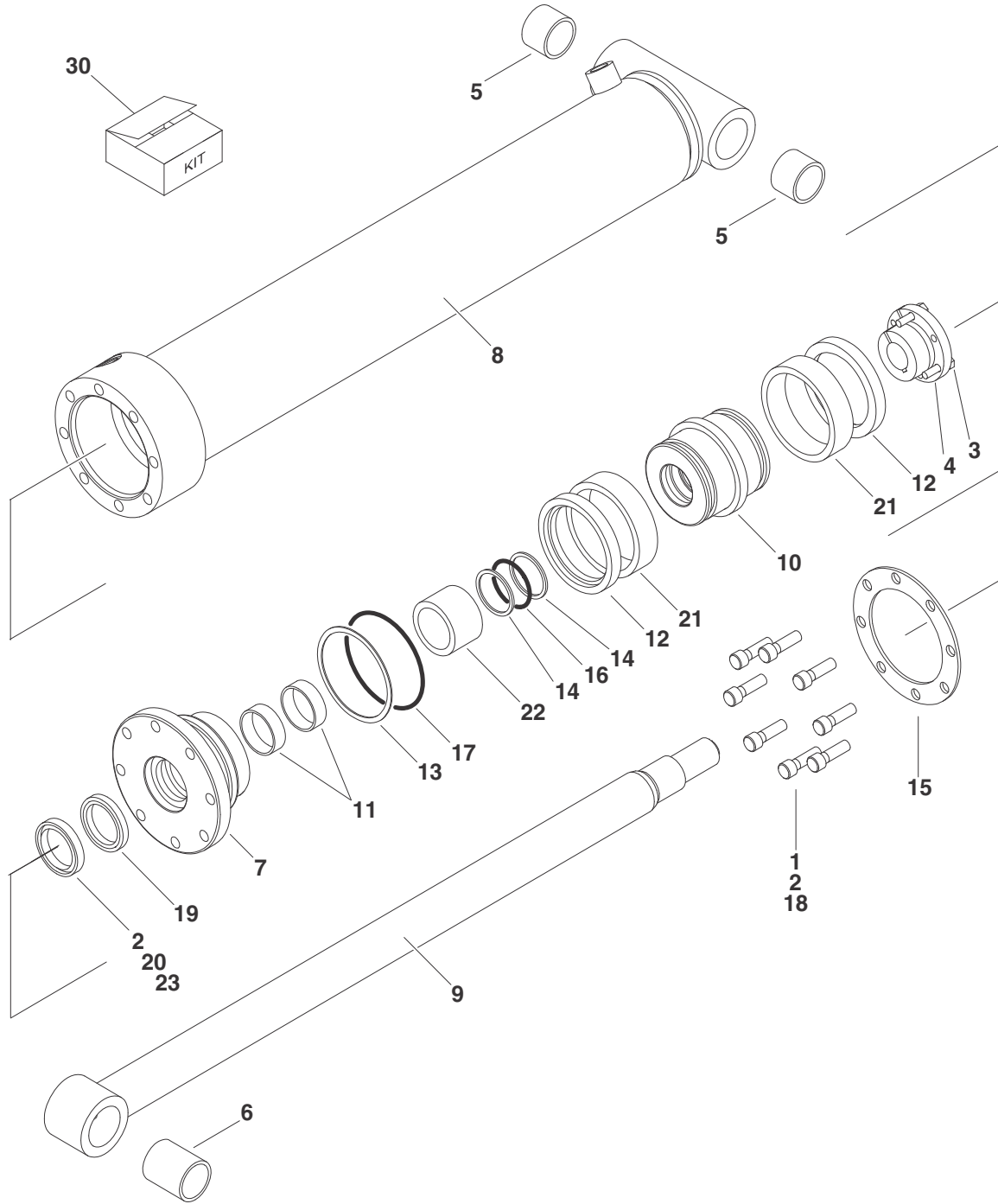
FIG & ITEM #	PART NUMBER	DESCRIPTION	QTY.	REV.
	1683608	MASTER CYLINDER ASSEMBLY	Ref	F
1	0100011	Compound, Locking	AR	
2	0100038	Primer, Locking	AR	
3		Bushing, Tapered Options:	1	
	0961900	Prior to SN 0300054182		
	0962185	SN 0300054182 to SN 0300069000		
4	0961951	Bushing, Garmax	2	
5	0962155	Bushing, Garmax	1	
6	0962156	Spacer, Tube	1	
7	1683050	Head	1	
8		Barrel Options:	1	
	1683633	Prior to SN 0300064390		
	1684114	SN 0300064390 to SN 0300069000		
9		Rod Options:	1	
	1683635	Prior to SN 0300064390		
	1684115	SN 0300064390 to SN 0300069000		
10	3480232	Piston	1	
11	Use 2901549	Ring, Wear	2	
12	Use 2901549	Ring, Back-up	1	
13	3760367	Ring, Washer	1	
14	Use 2901549	Ring, Wear	1	
15	Use 2901549	Ring, Back-up	2	
16	Use 2901549	O-Ring	1	
17	Use 2901549	O-Ring	1	
18	3900139	Setscrew 1/4in-20NC x 1/2in	1	
19	3931516	Capscrew 5/16in-18NC x 1in	8	
20	Use 2901549	Wiper	1	
21	Use 2901549	Seal	1	
22	Use 2901549	T-Seal	1	
23	0100063	Loctite #RC 609	AR	
24	0630534	Capscrew, Socket Head #10-24NC x 1in	3	
25 to 29	Not Used			
30	2901549	Seal Kit (Includes Items 11,12, 14-17 & 20-22)	1	

SECTION 5 CYLINDER

SECTION 5 CYLINDER

FIGURE 5-7.MASTER CYLINDER ASSEMBLY- 800AJ

SECTION 5 CYLINDER



SECTION 5 CYLINDER

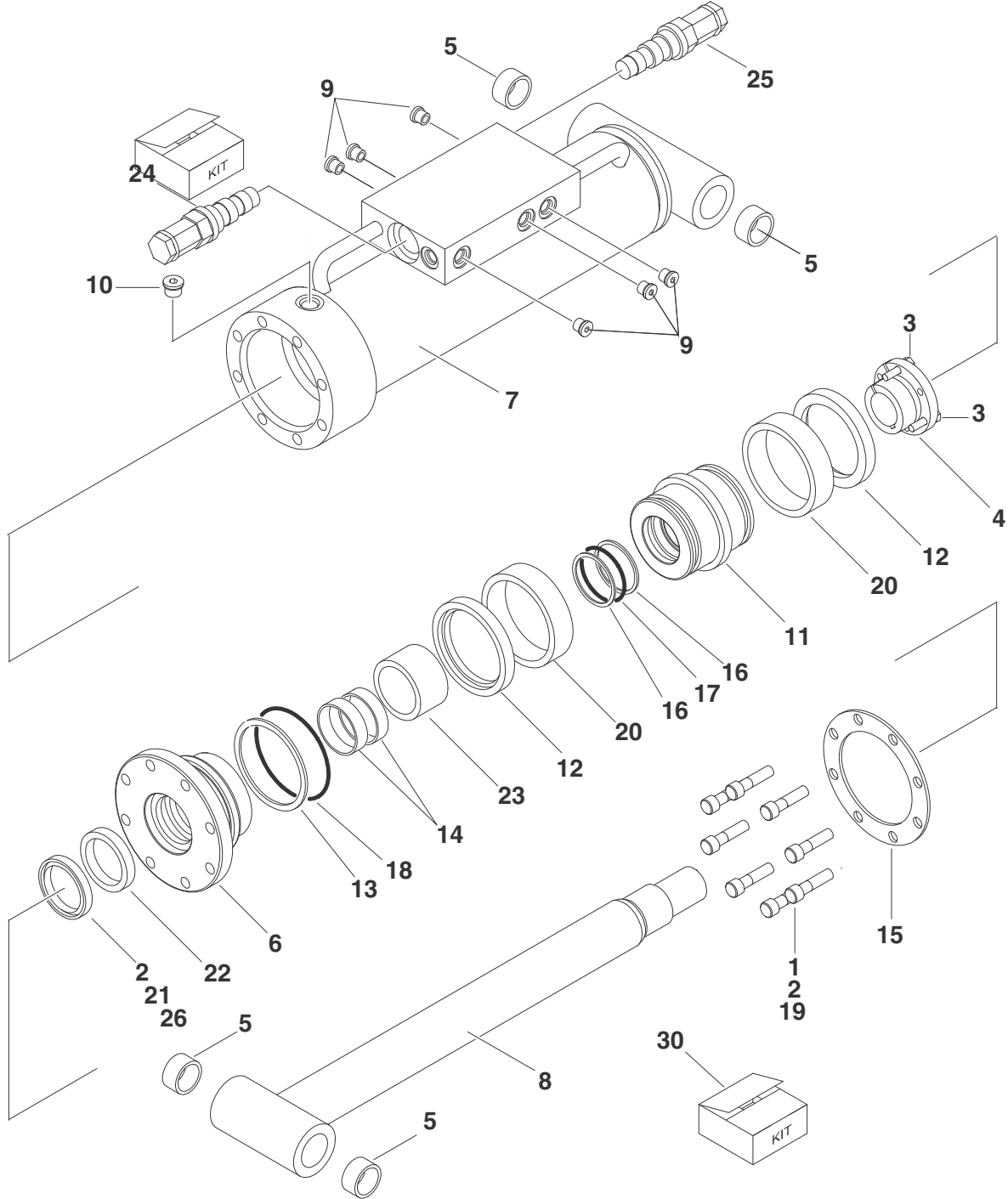
FIGURE 5-7. MASTER CYLINDER ASSEMBLY- 800AJ

FIG & ITEM #	PART NUMBER	DESCRIPTION	QTY.	REV.
	1683682	MASTER CYLINDER ASSEMBLY	Ref	C
1	0100011	Compound, Locking	AR	
2	0100038	Primer, Locking	AR	
3	0630535	Capscrew, Socket Head 1/4in-20NC x 1in	3	
4	0961894	Bushing, Tapered	1	
5	0961951	Bushing, Garmax	2	
6	0962155	Bushing, Garmax	1	
7	1683055	Head	1	
8		Barrel Options:	1	
	1683683	Prior to SN 0300064390		
	1684125	SN 0300064390 to SN 0300069000		
9		Rod Options:	1	
	1683685	Prior to SN 0300064390		
	1684126	SN 0300064390 to SN 0300069000		
10	3480188	Piston	1	
11	Use 2901301	Ring, Wear	2	
12	Use 2901301	Ring, Lock	2	
13	Use 2901301	Ring, Back-up	1	
14	Use 2901301	Ring, Back-up	2	
15	3760369	Ring, Washer	1	
16	Use 2901301	O-Ring	1	
17	Use 2901301	O-Ring	1	
18	3931620	Capscrew 3/8in-16NC x 1-1/4in	8	
19	Use 2901301	Seal, Rod	1	
20	Use 2901301	Wiper	1	
21	Use 2901301	Seal	2	
22	4566468	Spacer, Tube	1	
23	0100063	Loctite #RC609	AR	
24 to 29	Not Used			
30	2901301	Seal Kit (Includes Items 11-14, 16, 17 & 19-21)	1	

SECTION 5 CYLINDER

SECTION 5 CYLINDER

FIGURE 5-8.SLAVE CYLINDER ASSEMBLIES



SECTION 5 CYLINDER

SECTION 5 CYLINDER

FIGURE 5-8. SLAVE CYLINDER ASSEMBLIES

FIG & ITEM #	PART NUMBER	DESCRIPTION	QTY.	REV.
		Note: Original Equipment Cylinder may have been replaced with Service Replacement Cylinder. Identify p/n stamped on cylinder before ordering parts.	Ref	
		SLAVE CYLINDER ASSEMBLIES:	Ref	
		800A	Ref	
	1683610	Original Equipment	Ref	E
	1684408	Service Replacement	Ref	C
		800AJ	Ref	
	1683677	Original Equipment	Ref	B
	1684228	Service Replacement	Ref	C
1	0100011	Compound, Locking	AR	
2	0100038	Primer, Locking	AR	
3	0630535	Capscrew, Socket Head 1/4in-20NC x 1in	3	
4		Bushing, Tapered Options:	1	
	0961902	800A		
	0961894	800AJ		
5		Bushing, Garmax Options:	4	
	0961947	800A		
	0961951	800AJ		
6		Head Options:	1	
	1683074	800A		
	1683055	800AJ		
7		Barrel Options:	1	
	1683642	Used with p/n 1683610		
	0370022	Used with p/n 1684408		
	1683678	Used with p/n 1683677		
	1684230	Used with p/n 1684228		
8		Rod Options:	1	
	1683643	Used with p/n 1683610		
	3850018	Used with p/n 1684408		
	1683680	Used with p/n 1683677		
	1684232	Used with p/n 1684228		
		800A		
		800AJ		
9	2220883	Plug	6	
10	2220885	Plug	1	
11		Piston Options:	1	
	3480233	800A		
	3480188	800AJ		
12	See Note	Ring, Lock (Note: Use Item 30)	2	
13	See Note	Ring, Back-up (Note: Use Item 30)	1	
14	See Note	Ring, Wear (Note: Use Item 30)	2	
15	3760369	Ring, Washer	1	
16	See Note	Ring, Back-up (Note: Use Item 30)	2	
17	See Note	O-Ring (Note: Use Item 30)	1	
18	See Note	O-Ring (Note: Use Item 30)	1	
19	3931620	Capscrew 3/8in-16NC x 1-1/4in	8	

SECTION 5 CYLINDER

SECTION 5 CYLINDER

FIGURE 5-8. SLAVE CYLINDER ASSEMBLIES (CONTINUED)

FIG & ITEM #	PART NUMBER	DESCRIPTION	QTY.	REV.
20	See Note	Seal (Note: Use Item 30)	2	
21	See Note	Wiper (Note: Use Item 30)	1	
22	See Note	Seal (Note: Use Item 30)	1	
23		Spacer, Tube Options:	1	
	4567434	800A		
	4566468	800AJ		
24	4640605	Valve, Cartridge	1	
	2900792	Seal Kit - 4640605 Valve	1	
25	4640932	Valve, Cartridge	1	
	7011112	Seal Kit - 4640932 Valve	1	
26	0100063	Loctite #RC609	AR	
27 to 29	Not Used			
30		Seal Kit Options (Includes Items 12-14, 16-18 & 20-22)	1	
	2901556	800A		
	2901301	800AJ		

SECTION 5 CYLINDER

SECTION 5 CYLINDER

FIGURE 5-8. SLAVE CYLINDER ASSEMBLIES (CONTINUED)

FIG & ITEM #	PART NUMBER	DESCRIPTION	QTY.	REV.

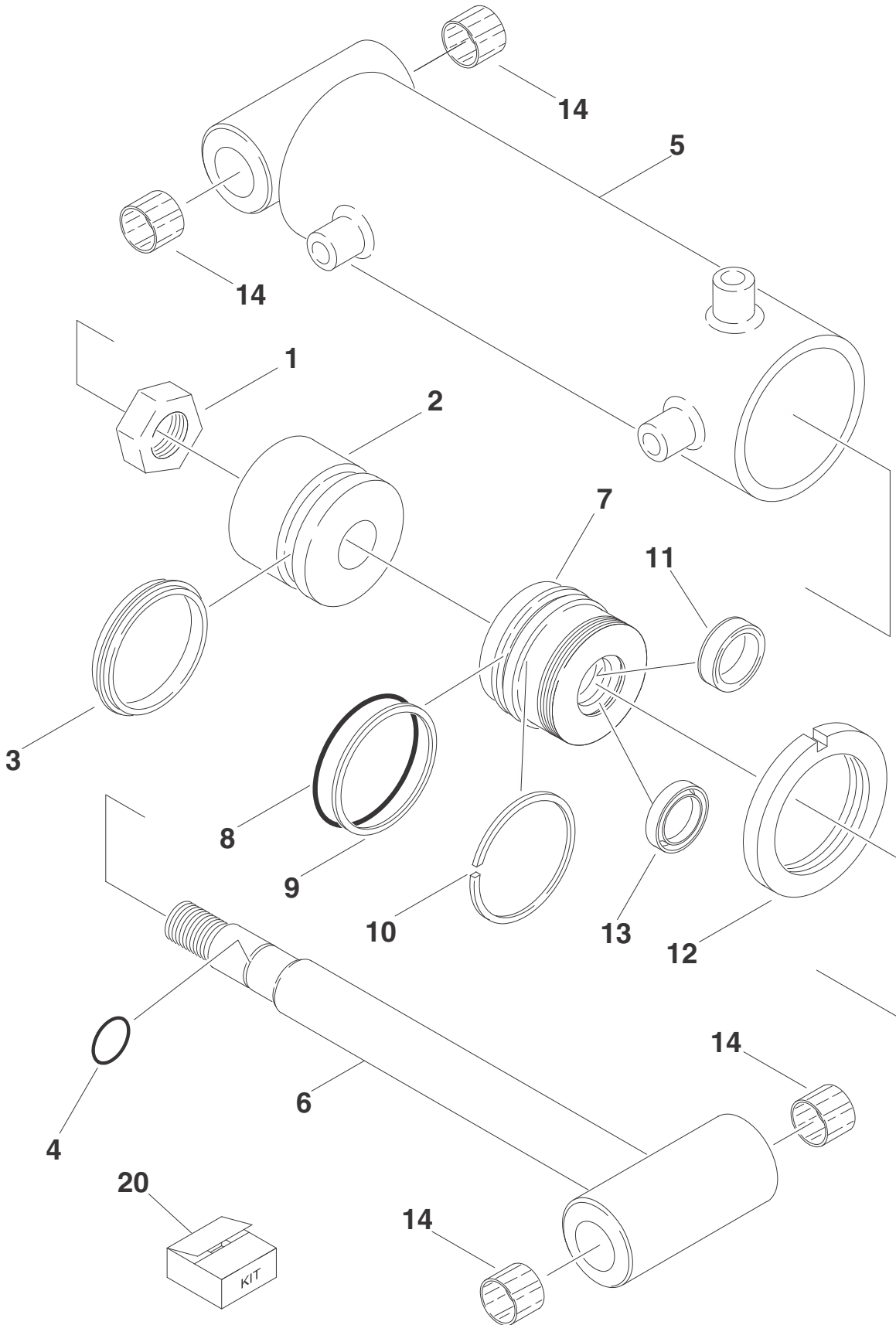
**S
E
C
T
I
O
N

5

C
Y
L
I
N
D
E
R**

SECTION 5 CYLINDER

FIGURE 5-9. STEER CYLINDER ASSEMBLY



SECTION 5 CYLINDER

SECTION 5 CYLINDER

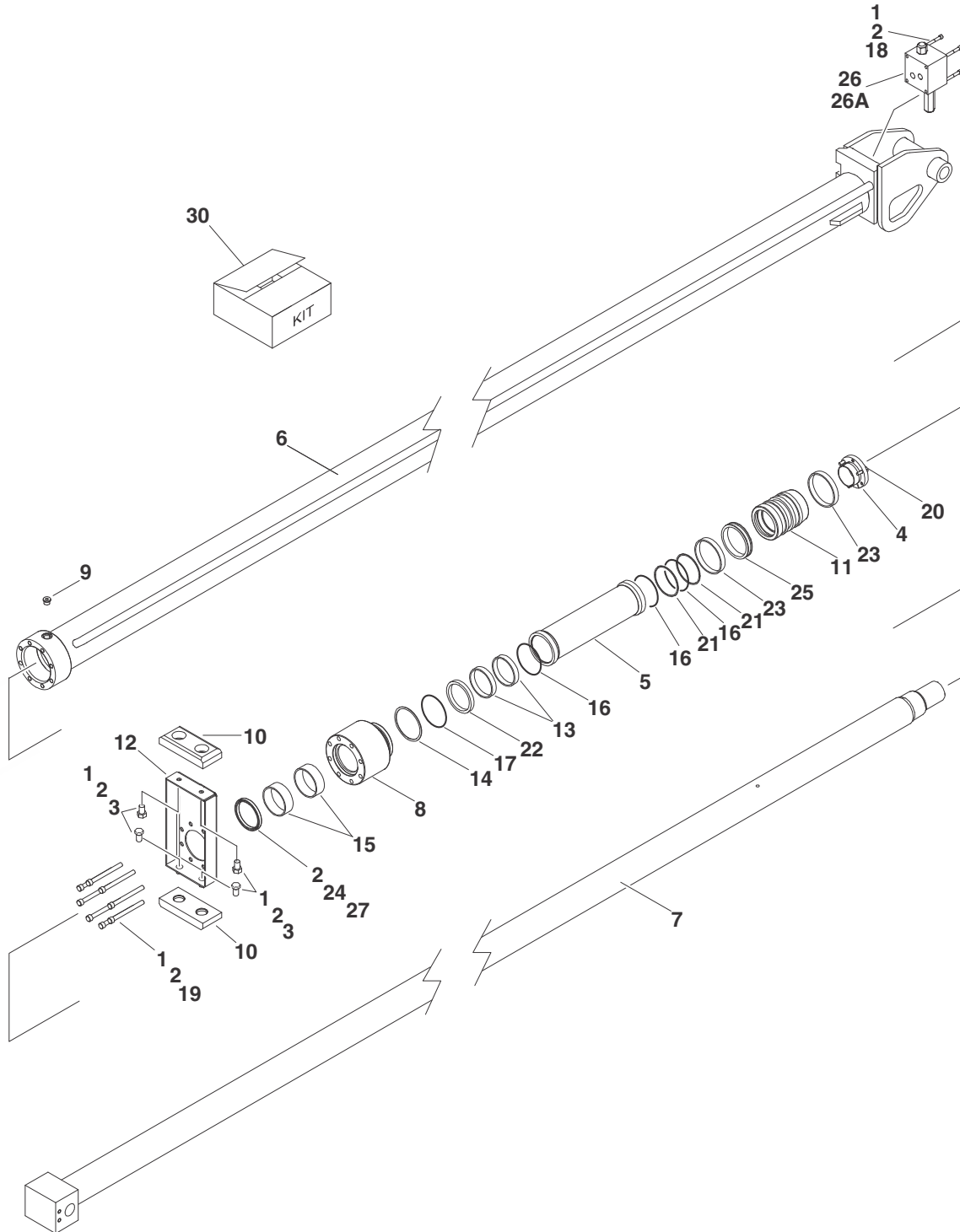
FIGURE 5-9. STEER CYLINDER ASSEMBLY

FIG & ITEM #	PART NUMBER	DESCRIPTION	QTY.	REV.
		Note: Original Equipment Cylinder may have been replaced with Service Replacement Cylinder. Identify p/n stamped on cylinder before ordering parts.	Ref	
		STEER CYLINDER ASSEMBLIES	Ref	
	1683605	2WS - Original Equipment	Ref	A
	1683740	2WS - Service Replacement	Ref	B
	1683740	4WS	Ref	B
1	7017210	Locknut	1	
2	7017211	Piston	1	
3	Use 7017215	Seal	1	
4	Use 7017215	O-Ring	1	
5		Barrel Weldment Options:	1	
	7017234	2WS (Prior to SN 0300042477)		
	7023023	2WS (SN 0300042477 to SN 0300069000)		
	7023023	4WS		
6	7017236	Rod Weldment	1	
7	7017213	Head	1	
8	Use 7017215	O-Ring	1	
9	Use 7017215	Ring, Back-up	1	
10	Use 7017215	Ring, Retainer	1	
11	Use 7017215	Seal	1	
12	7017214	Nut, Spanner	1	
13	Use 7017215	Wiper	1	
14	0961977	Bushings	4	
15 to 19	Not Used			
20	7017215	Seal Kit (Includes Items 3, 4, 8-11 & 13)	1	

SECTION 5 CYLINDER

SECTION 5 CYLINDER

FIGURE 5-10. TELESCOPE CYLINDER ASSEMBLY - MAIN



SECTION 5 CYLINDER

SECTION 5 CYLINDER

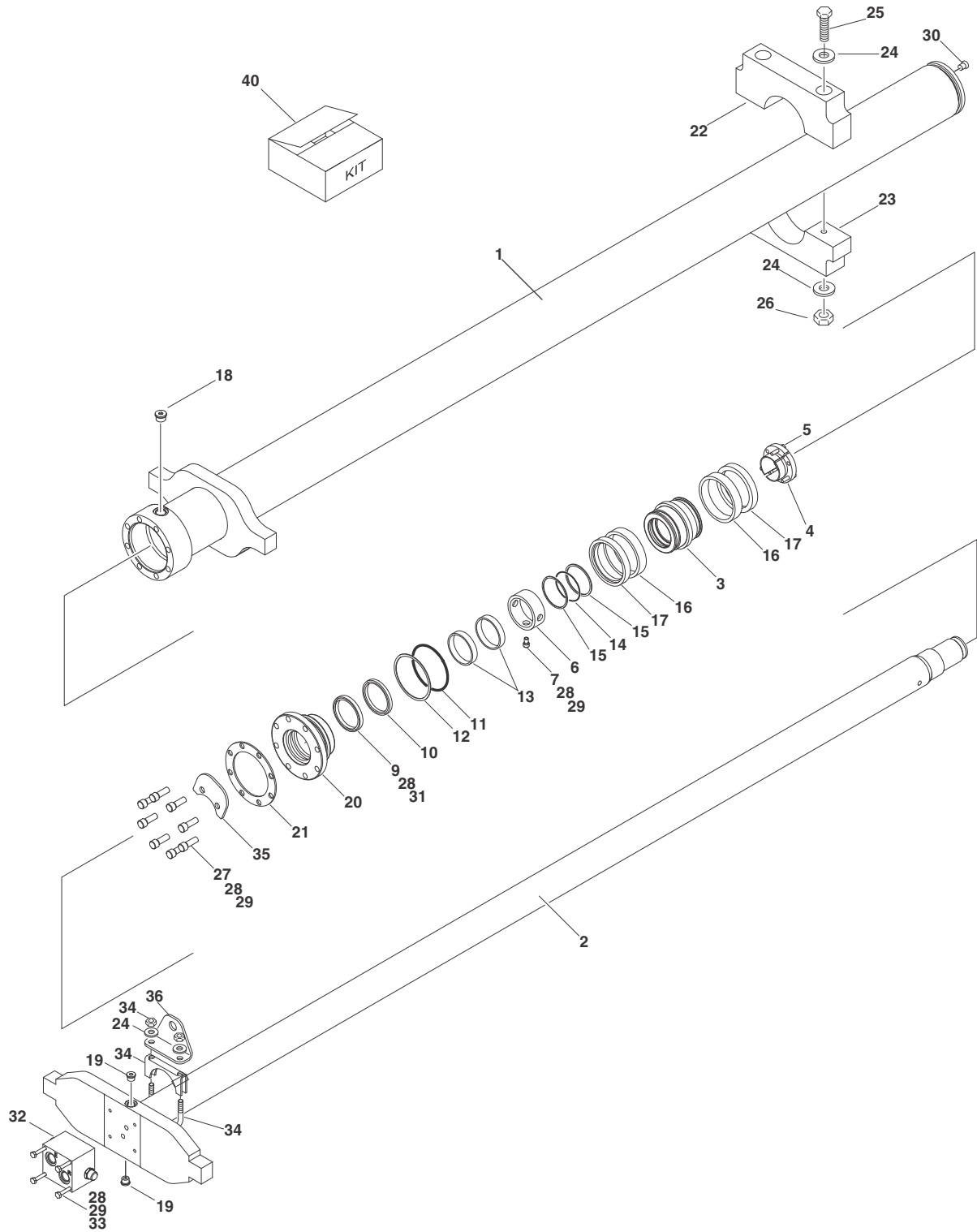
FIGURE 5-10. TELESCOPE CYLINDER ASSEMBLY - MAIN

FIG & ITEM #	PART NUMBER	DESCRIPTION	QTY.	REV.
		TELESCOPE CYLINDER ASSEMBLIES:	Ref	
	1683607	800A	Ref	F
	1683672	800AJ	Ref	F
1	0100011	Compound, Locking	AR	
2	0100038	Primer, Locking	AR	
3	0641806	Bolt 1/2in-13NC x 3/4in	4	
4	0961897	Bushing, Tapered	1	
5	0962219	Spacer, Tube	1	
6		Barrel Options:	1	
	1683647	800A		
	1683673	800AJ		
7		Rod Options:	1	
	1683648	800A		
	1683675	800AJ		
8	1683663	Head	1	
9	2220885	Plug, O-Ring	1	
10	3340838	Pad, Wear	2	
11	3480234	Piston	1	
12	3570775	Plate	1	
13	Use 2901712	Ring, Wear	2	
14	Use 2901712	Ring, Back-up	1	
15	Use 2901712	Ring, Wear	2	
16	Use 2901712	O-Ring	3	
17	Use 2901712	O-Ring	1	
18	3931448	Capscrew 1/4in-20NC x 3in	4	
19	3931664	Capscrew 3/8in-16NC x 4in	8	
20	0630535	Bolt 1/4in-20NC x 1-1/8in	3	
21	Use 2901712	Ring, Back-up	2	
22	Use 2901712	Seal, Rod	1	
23	Use 2901712	Ring, Wear	2	
24	Use 2901712	Wiper	1	
25	Use 2901712	T-Seal	1	
26	4641033	Valve Assembly (No serviceable parts - sold as assembly only)	1	
26A	7024508	O-Ring	2	
27	0100063	Loctite #RC609	AR	
28 to 29	Not Used			
30	2901712	Seal Kit (Includes Items 13-17 & 21-25)	1	

SECTION 5 CYLINDER

SECTION 5 CYLINDER

FIGURE 5-11. TELESCOPE CYLINDER ASSEMBLY - TOWER



SECTION 5 CYLINDER

SECTION 5 CYLINDER

FIGURE 5-11. TELESCOPE CYLINDER ASSEMBLY - TOWER

FIG & ITEM #	PART NUMBER	DESCRIPTION	QTY.	REV.
	1683606	TELESCOPE CYLINDER ASSEMBLY	Ref	J
1	1683632	Barrel Weldment	1	
2	1683629	Rod Weldment	1	
3	3480211	Piston	1	
4	0961897	Bushing, Tapered	1	
5	0630535	Bolt 1/4in-20NC x 1-1/8in	3	
6	4567413	Spacer, Tube	1	
7	3931508	Bolt, Socket Head 5/16in-18NC x 1/2in	1	
8	Not Used			
9	Use 2901273	Wiper	1	
10	Use 2901273	Seal	1	
11	Use 2901273	O-Ring	1	
12	Use 2901273	Ring, Back-up	1	
13	Use 2901273	Ring, Wear	2	
14	Use 2901273	O-Ring	1	
15	Use 2901273	Ring, Back-up	2	
16	Use 2901273	Seal	2	
17	Use 2901273	Ring, Lock	2	
18	2220886	Plug, O-Ring	1	
19	2220885	Plug, O-Ring	2	
20	1683061	Head	1	
21	3760370	Ring, Washer	1	
22	3340834	Pad, Support	1	
23	3340833	Pad, Support	1	
24	4711600	Flatwasher 3/8in Narrow	10	
25	0641552	Bolt 5/16in-18NC x 6-1/2in	3	
26	3271605	Locknut 3/8in-16NC	2	
27	3931720	Capscrew 7/16in-14NC x 1-1/4in	2	
28	0100038	Primer, Locking	AR	
29	0100011	Compound, Locking	AR	
30	2220883	Plug, O-Ring	1	
31	0100063	Loctite #RC609	AR	
32	4641032	Valve Assembly (No serviceable parts - sold as assembly only)	1	
32A	7024397	O-Ring	2	
33		Hardware Options:	4	
	0641420	Bolt 1/4in-20NC x 2-1/2in (Prior to SN 0300056439)		
	3931448	Bolt (SN 0300056439 to SN 0300069000)		
34	1320011	Clamp (SN 0300056439 to SN 0300069000)	1	
35	3572604	Plate, Proximity Switch Target (SN 0300056439 to SN 0300069000)	1	
36	3572605	Plate, Proximity Switch Mount (SN 0300056439 to SN 0300069000)	1	
37 to 39	Not Used			
40	2901273	Seal Kit (Includes Items 9-17)	1	

SECTION 5 CYLINDER

SECTION 5 CYLINDER

FIGURE 5-11. TELESCOPE CYLINDER ASSEMBLY - TOWER (CONTINUED)

FIG & ITEM #	PART NUMBER	DESCRIPTION	QTY.	REV.

**S
E
C
T
I
O
N

5

C
Y
L
I
N
D
E
R**

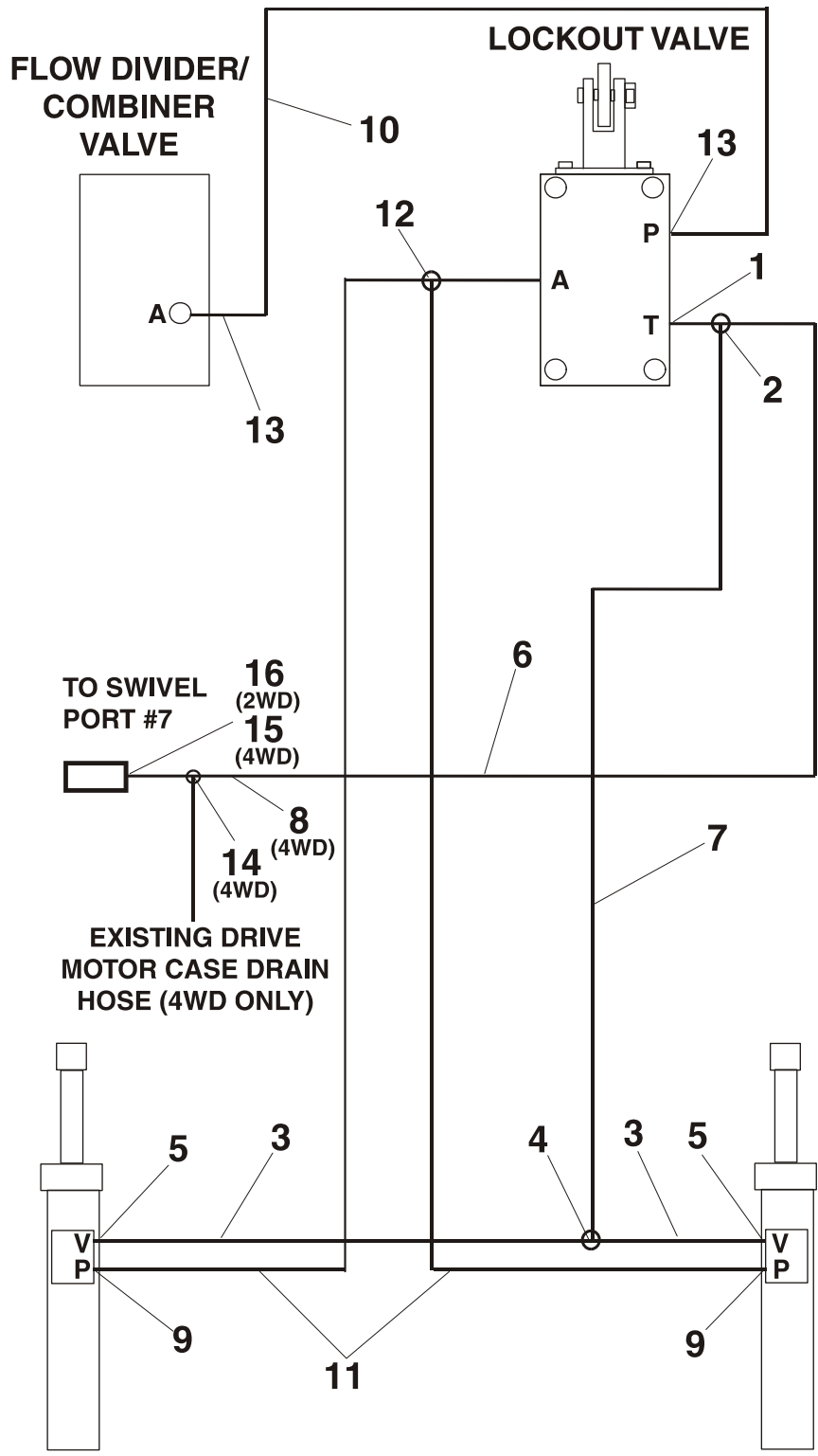
SECTION 6 HYDRAULIC

TABLE OF CONTENTS

FIGURE	DESCRIPTION	PAGE
6-1	AXLE LOCKOUT HYDRAULIC DIAGRAM	6-2
6-2	DRIVE HYDRAULIC DIAGRAM - 2WD	6-4
6-3	DRIVE HYDRAULIC DIAGRAM - 4WD	6-8
6-4	STANDARD HYDRAULIC DIAGRAM (WITH FENNER & HALDEX BRAND AUXILIARY PUMP)	6-12
6-5	STANDARD HYDRAULIC DIAGRAM (WITH BUCHER BRAND AUXILIARY PUMP)	6-16
6-6	HYDRAULIC DIAGRAM LIST	6-20

SECTION 6 HYDRAULIC

FIGURE 6-1.AXLE LOCKOUT HYDRAULIC DIAGRAM



SECTION 6 HYDRAULIC

SECTION 6 HYDRAULIC

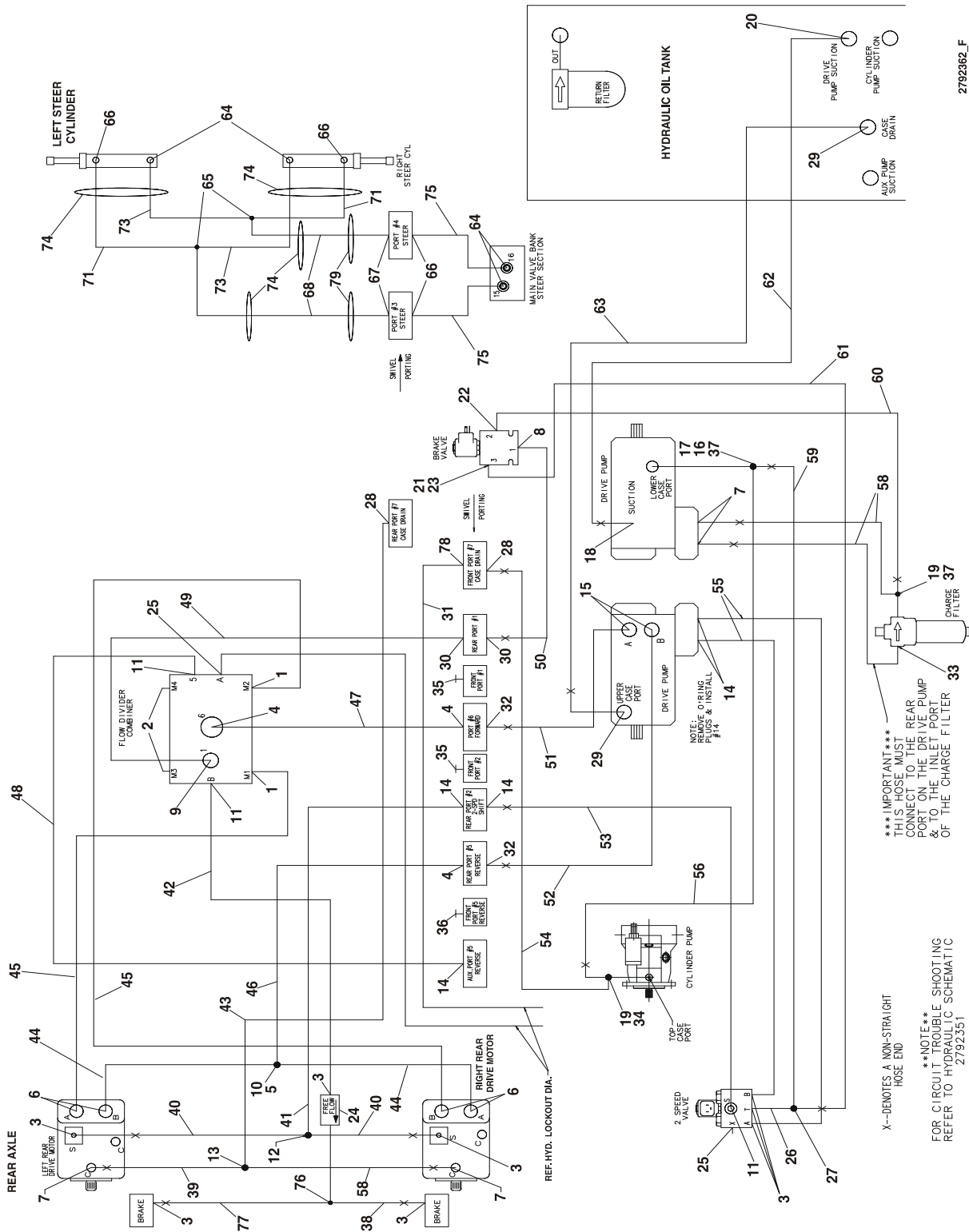
FIGURE 6-1. AXLE LOCKOUT HYDRAULIC DIAGRAM

FIG & ITEM #	PART NUMBER	DESCRIPTION	QTY.	REV.
	2792367	AXLE LOCKOUT HYDRAULIC DIAGRAMS	Ref	2/B
1	2220603	Fitting, Straight	1	
2	2220635	Fitting, Tee	1	
3	2750920	Hose	2	
4	2220490	Fitting, Tee	1	
5	2220371	Fitting, Straight	2	
6	2752648	Hose	1	
7	2752611	Hose	1	
8	2220619	Fitting, Reducer	1	
9	2220582	Fitting, Straight	2	
10	2750760	Hose	1	
11	2751906	Hose	2	
12	2220711	Fitting, Tee	1	
13	2220415	Fitting, Straight	2	
14	2220602	Fitting, Tee (Not Shown)	1	
15	2220811	Fitting, Reducer (Not Shown)	1	
16	2220577	Fitting, Straight (Not Shown)	1	

SECTION 6 HYDRAULIC

SECTION 6 HYDRAULIC

FIGURE 6-2.DRIVE HYDRAULIC DIAGRAM - 2WD



2792362_F

SECTION 6 HYDRAULIC

SECTION 6 HYDRAULIC

FIGURE 6-2. DRIVE HYDRAULIC DIAGRAM - 2WD

FIG & ITEM #	PART NUMBER	DESCRIPTION	QTY.	REV.
	2792362	DRIVE HYDRAULIC DIAGRAM - 2WD	Ref	6/F
1	2220498	Fitting, Elbow	2	
2	2220240	Fitting, Plug	2	
3	2220415	Fitting, Straight	8	
4	2220365	Fitting, Elbow	3	
5	2220710	Fitting, Reducer	2	
6	2220465	Fitting, Elbow	4	
7	2220374	Fitting, Straight	4	
8	2220373	Fitting, Straight	1	
9	2220500	Fitting, Elbow	1	
10	2220363	Fitting, Tee	1	
11	2220466	Fitting, Elbow	3	
12	2220504	Fitting, Tee	1	
13	2220362	Fitting, Tee	1	
14	2220582	Fitting, Straight	5	
15	2220646	Fitting, Elbow	2	
16	2220999	Fitting, Tee	1	
17	2220618	Fitting, Reducer	1	
18	2220479	Fitting, Straight	1	
19	2220602	Fitting, Tee	2	
20	2220380	Fitting, Straight	1	
21	2220609	Fitting, Reducer	1	
22	2220596	Fitting, Elbow	1	
23	2220628	Fitting, Elbow	1	
24	4641076	Valve, Restrictor (.021)	1	
25	2220235	Fitting, Plug	2	
26	2221029	Fitting, Orifice (.031)	1	
27	2220605	Fitting, Tee	1	
28	2220375	Fitting, Straight	2	
29	2220451	Fitting, Straight	2	
30	2220600	Fitting, Straight	2	
31	2220516	Fitting, Cap	1	
32	2220377	Fitting, Straight	2	
33	2220366	Fitting, Elbow	1	
34	2220810	Fitting, Straight	1	
35	2220237	Fitting, Plug	2	
36	2220242	Fitting, Plug	1	
37	2220811	Fitting, Straight	2	
38	2752575	Hose	1	
39	2752514	Hose	1	
40	2753036	Hose	2	
41	2751011	Hose	1	
42	2752977	Hose	1	
43	2752518	Hose	1	
44	2752265	Hose	2	
45	2752266	Hose	2	

SECTION 6 HYDRAULIC

SECTION 6 HYDRAULIC

FIGURE 6-2. DRIVE HYDRAULIC DIAGRAM - 2WD (CONTINUED)

FIG & ITEM #	PART NUMBER	DESCRIPTION	QTY.	REV.
46	2752345	Hose	1	
47	2752363	Hose	1	
48	2751017	Hose	1	
49	2752498	Hose	1	
50	2752928	Hose	1	
51	2752365	Hose	1	
52	2752366	Hose	1	
53	2751391	Hose	1	
54	2752513	Hose	1	
55	2751397	Hose	2	
56	2752942	Hose	1	
57	Not Used			
58	2752494	Hose	3	
59	2752453	Hose	1	
60	2752514	Hose	1	
61	2752573	Hose	1	
62	2752754	Hose	1	
63	2752673	Hose	1	
64	2220501	Fitting, Elbow	4	
65	2220490	Fitting, Tee	2	
66	2220473	Fitting, Elbow	2	
67	2220371	Fitting, Straight	2	
68	2753117	Hose	2	
69	Not Used			
70	Not Used			
71	2753087	Hose	2	
72	Not Used			
73	2752648	Hose	2	
74	4100058	Sleeve, Nylon (12in/30.5cm Pieces)	4	
75	2752489	Hose	2	
76	2220711	Fitting, Tee	1	
77	2752581	Hose	1	
78	2220577	Fitting, Straight	1	
79	4100059	Sleeve, Nylon (8in/20cm Pieces)	2	

SECTION 6 HYDRAULIC

SECTION 6 HYDRAULIC

FIGURE 6-2. DRIVE HYDRAULIC DIAGRAM - 2WD (CONTINUED)

FIG & ITEM #	PART NUMBER	DESCRIPTION	QTY.	REV.

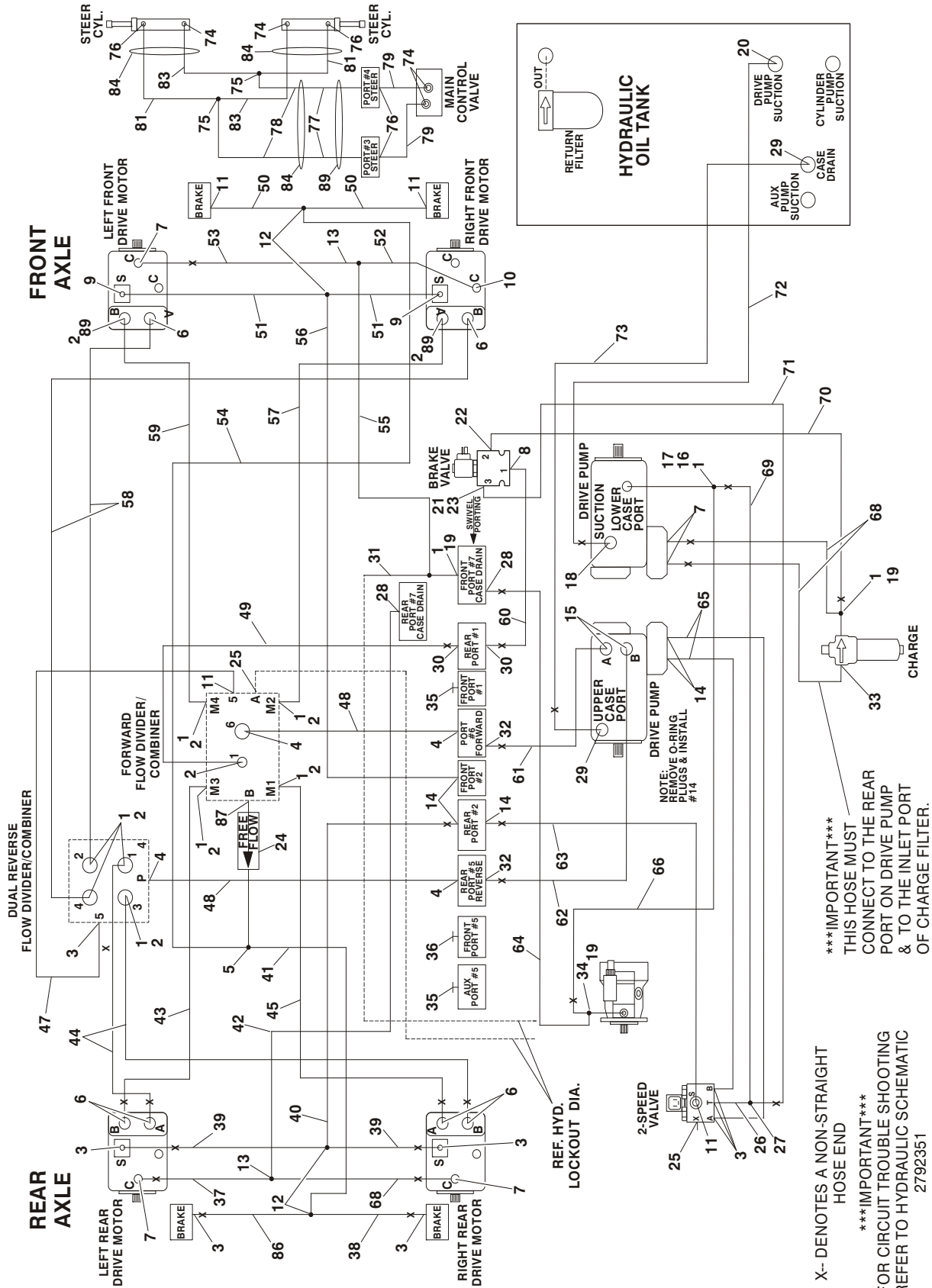
**S
E
C
T
I
O
N

6

H
Y
D
R
A
U
L
I
C**

SECTION 6 HYDRAULIC

FIGURE 6-3.DRIVE HYDRAULIC DIAGRAM - 4WD



IMPORTANT
THIS HOSE MUST
CONNECT TO THE REAR
PORT ON DRIVE PUMP
& TO THE INLET PORT
OF CHARGE FILTER.

X-- DENOTES A NON-STRAIGHT
HOSE END
IMPORTANT
FOR CIRCUIT TROUBLE SHOOTING
REFER TO HYDRAULIC SCHEMATIC
2792351

C-1-C-U-R-R-A-D-D-R-H-Y 6 6 Z-O-N-E-S

SECTION 6 HYDRAULIC

FIGURE 6-3. DRIVE HYDRAULIC DIAGRAM - 4WD

FIG & ITEM #	PART NUMBER	DESCRIPTION	QTY.	REV.
	2792363	DRIVE HYDRAULIC DIAGRAM - 4WD	Ref	9/H
1	2220811	Fitting, Reducer	9	
2	2220500	Fitting, Elbow	11	
3	2220415	Fitting, Straight	8	
4	2220365	Fitting, Elbow	4	
5	2220711	Fitting, Tee	1	
6	2220800	Fitting, Straight	6	
7	2220374	Fitting, Straight	5	
8	2220373	Fitting, Straight	1	
9	2220502	Fitting, Elbow	2	
10	2220499	Fitting, Elbow	1	
11	2220466	Fitting, Elbow	4	
12	2220504	Fitting, Tee	4	
13	2220362	Fitting, Tee	2	
14	2220582	Fitting, Straight	5	
15	2220646	Fitting, 9Elbow	2	
16	2220999	Fitting, Tee	1	
17	2220618	Fitting, Reducer	1	
18	2220479	Fitting, Straight	1	
19	2220602	Fitting, Tee	3	
20	2220380	Fitting, Straight	1	
21	2220609	Fitting, Reducer	1	
22	2220596	Fitting, Elbow	1	
23	2220628	Fitting, Elbow	1	
24	4640778	Valve, Restrictor (.030)	1	
25	2220235	Fitting, Plug	2	
26	2221029	Fitting, Orifice (.031)	1	
27	2220605	Fitting, Tee	1	
28	2220375	Fitting, Straight	2	
29	2220451	Fitting, Straight	2	
30	2220600	Fitting, Straight	2	
31	2220517	Fitting, Cap	1	
32	2220377	Fitting, Straight	2	
33	2220366	Fitting, Elbow	1	
34	2220810	Fitting, Reducer	1	
35	2220237	Fitting, Plug	2	
36	2220242	Fitting, Plug	1	
37	2752514	Hose	1	
38	2752575	Hose	1	
39	2753036	Hose	2	
40	2751011	Hose	1	
41	2752977	Hose	1	
42	2752518	Hose	1	
43	2753155	Hose	1	
44	2753161	Hose	2	
45	2753162	Hose	1	

SECTION 6 HYDRAULIC

SECTION 6 HYDRAULIC

FIGURE 6-3. DRIVE HYDRAULIC DIAGRAM - 4WD (CONTINUED)

FIG & ITEM #	PART NUMBER	DESCRIPTION	QTY.	REV.
46	4100059	Sleeve, Nylon (8in/20cm Pieces)	2	
47	2751017	Hose	1	
48	2752363	Hose	2	
49	2752498	Hose	1	
50	2752592	Hose	2	
51	2753035	Hose	2	
52	2752516	Hose	1	
53	2752514	Hose	1	
54	2752591	Hose	1	
55	2752949	Hose	1	
56	2751906	Hose	1	
57	2753157	Hose	1	
58	2753158	Hose	2	
59	2753159	Hose	1	
60	2753187	Hose	1	
61	2752365	Hose	1	
62	2752366	Hose	1	
63	2751391	Hose	1	
64	2752513	Hose	1	
65	2751397	Hose	2	
66	2752942	Hose	1	
67	Not Used			
68	2752494	Hose	3	
69	2752453	Hose	1	
70	2752514	Hose	1	
71	2752573	Hose	1	
72	2752754	Hose	1	
73	2752673	Hose	1	
74	2220501	Fitting, Elbow	4	
75	2220490	Fitting, Tee	2	
76	2220473	Fitting, Elbow	4	
77	2220371	Fitting, Straight	2	
78	2753117	Hose	2	
79	2752489	Hose	2	
80	Not Used			
81	2753087	Hose	2	
82	Not Used			
83	2752648	Hose	2	
84	4100058	Sleeve, Nylon (12in/30.5cm Pieces)	4	
85	2752642	Hose (Prior to SN 0300053332)	1	
86	2752581	Hose	1	
87	2221030	Fitting, Nipple	1	
88	Not Used			
89	2220833	Fitting, Reducer	2	
90	4100051	Sleeve, Nylon	1	

SECTION 6 HYDRAULIC

SECTION 6 HYDRAULIC

FIGURE 6-3. DRIVE HYDRAULIC DIAGRAM - 4WD (CONTINUED)

FIG & ITEM #	PART NUMBER	DESCRIPTION	QTY.	REV.

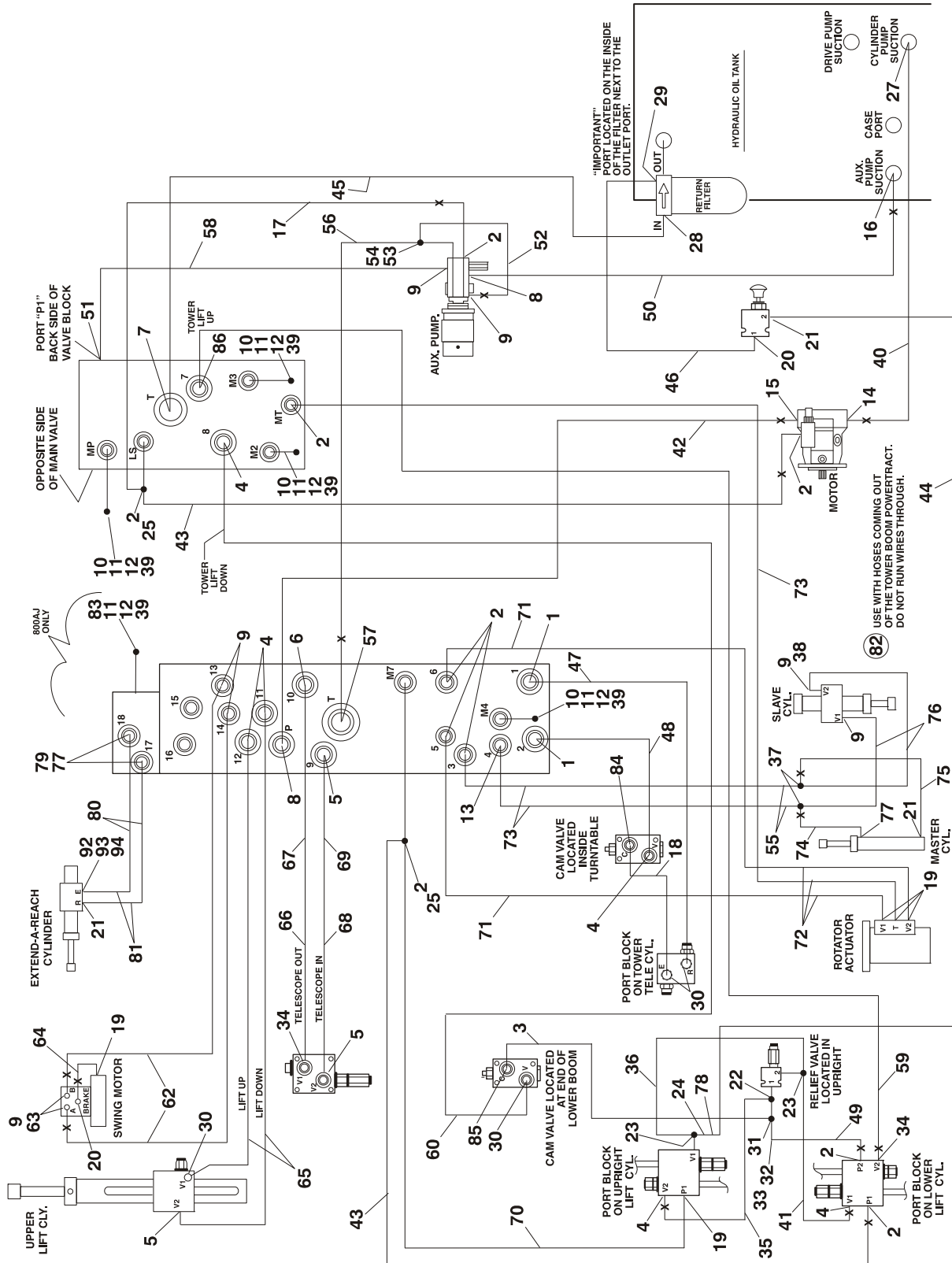
**S
E
C
T
I
O
N

6

H
Y
D
R
A
U
L
I
C**

SECTION 6 HYDRAULIC

FIGURE 6-4. STANDARD HYDRAULIC DIAGRAM (WITH FENNER & HALDEX BRAND AUXILIARY PUMP)



C-1-C-6-HYDRAULIC-6-NO-T-C-S

SECTION 6 HYDRAULIC

FIGURE 6-4. STANDARD HYDRAULIC DIAGRAM (WITH FENNER & HALDEX BRAND AUXILIARY PUMP)

FIG & ITEM #	PART NUMBER	DESCRIPTION	QTY.	REV.
		STANDARD HYDRAULIC DIAGRAM		
	2792365	800A	Ref	9/H
	2792366	800AJ	Ref	11/K
1	2220381	Fitting, Straight	2	
2	2220415	Fitting, Straight	AR	
3	2753199	Hose	1	
4	2220373	Fitting, Straight	6	
5	2220500	Fitting, Elbow	3	
6	2220947	Fitting, Straight	1	
7	2220376	Fitting, Straight	1	
8	2220593	Fitting, Straight	2	
9	2220371	Fitting, Straight	AR	
10	2220873	Fitting, Straight	4	
11	2220428	Fitting, Quick Disconnect	AR	
12	2220429	Fitting, Dust Cap	AR	
13	2220502	Fitting, Elbow	1	
14	2220737	Split Flange Kit #24	1	
15	2220478	Split Flange Kit #16	1	
16	2220451	Fitting, Straight	1	
17	2752453	Hose	1	
18	2753200	Hose	1	
19	2220466	Fitting, Elbow	AR	
20	2220582	Fitting, Straight	AR	
21	2220473	Fitting, Elbow	AR	
22	2220602	Fitting, Tee	1	
23	2220999	Fitting, Tee	2	
24	2220619	Fitting, Reducer	1	
25	2220605	Fitting, Tee	2	
26	Not Used			
27	2220765	Fitting, Straight	1	
28	2220379	Fitting, Straight	1	
29	2220574	Fitting, Straight	1	
30	2220596	Fitting, Elbow	AR	
31	2220385	Fitting, Tee	1	
32	2220618	Fitting, Reducer	1	
33	2220654	Fitting, Elbow (Prior to SN 0300048538)	1	
34	2220852	Fitting, Straight	2	
35	2753197	Hose	1	
36	2753196	Hose	1	
37	2220490	Fitting, Tee	2	
38	4567139	Tube	1	
39	0100020	Sealant, Pipe	AR	
40	2753216	Hose	1	
41	2753195	Hose	1	
42	2753231	Hose	1	
43	2753010	Hose	2	

SECTION 6 HYDRAULIC

SECTION 6 HYDRAULIC

FIGURE 6-4. STANDARD HYDRAULIC DIAGRAM (WITH FENNER & HALDEX BRAND AUXILIARY PUMP) (CONTINUED)

FIG & ITEM #	PART NUMBER	DESCRIPTION	QTY.	REV.
44	2752468	Hose	1	
45	2752721	Hose	1	
46	2752438	Hose	1	
47	2753192	Hose	1	
48	2752494	Hose	1	
49	2753008	Hose	1	
50	2752674	Hose	1	
51	4640780	Fitting, Check Valve	1	
52	2753118	Hose	1	
53	2220775	Fitting, Elbow	1	
54	2220635	Fitting, Tee	1	
55	2220609	Fitting, Reducer	2	
56	2752463	Hose	1	
57	2220577	Fitting, Straight	1	
58	2753122	Hose	1	
59	2752768	Hose	1	
60	2752930	Hose	1	
61	Not Used			
62	2752462	Hose	2	
63	2220497	Fitting, Straight (Prior to SN 0300068040)	2	
64	2752573	Hose (Prior to SN 0300068040)	AR	
65	2753189	Hose	2	
66	2752767	Hose	1	
67	2752766	Hose	1	
68	2753190	Hose	1	
69	2753191	Hose	1	
70	2752978	Hose	1	
71	2752585	Hose	2	
72		Hose Options:	3	
	2753009	800A		
	2753006	800AJ		
73	2753007	Hose	3	
74	2753124	Hose	1	
75	2753125	Hose	1	
76		Hose Options:	2	
	2753129	800A		
	2753126	800AJ		
77	2220501	Fitting, Elbow	AR	
78	4567757	Tube	1	
79		Fitting, Reducer Options:	2	
	Not Required	800A		
	2220591	800AJ		
80		Hose Options:	2	
	Not Required	800A		
	2753123	800AJ		
81		Hose Options:	2	
	Not Required	800A		
	2753128	800AJ		

SECTION 6 HYDRAULIC

SECTION 6 HYDRAULIC

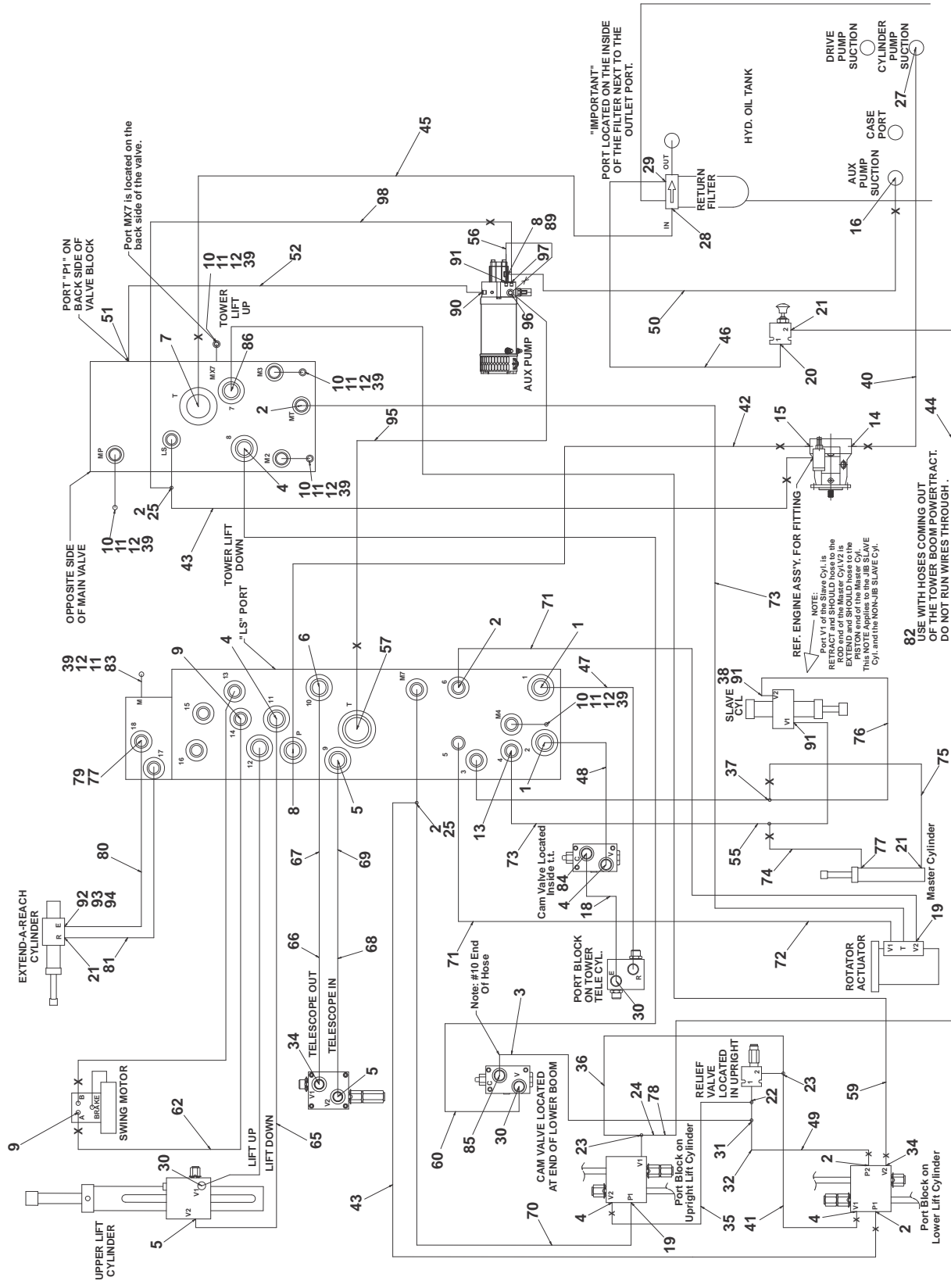
FIGURE 6-4. STANDARD HYDRAULIC DIAGRAM (WITH FENNER & HALDEX BRAND AUXILIARY PUMP) (CONTINUED)

FIG & ITEM #	PART NUMBER	DESCRIPTION	QTY.	REV.
82	4100062	Protection, Nylon Hose (24in/61cm)	2	
83		Fitting Options: (800AJ Only)	1	
	2220414	Prior to SN 0300053556		
	2220873	SN 0300053556 to SN 0300069000		
84	2220947	Fitting, Straight	1	
85	2221036	Fitting, Elbow	1	
86	2220950	Fitting, Elbow (SN 0300067447 to SN 0300069000)	1	
87 to 91	Not Used			
92	2180724	Fitting, Modified	1	
93	2180380	Fitting, Orifice	1	
94	0100019	Compound, Locking	AR	

SECTION 6 HYDRAULIC

SECTION 6 HYDRAULIC

FIGURE 6-5. STANDARD HYDRAULIC DIAGRAM (WITH BUCHER BRAND AUXILIARY PUMP)



SECTION 6 HYDRAULIC

SECTION 6 HYDRAULIC

FIGURE 6-5. STANDARD HYDRAULIC DIAGRAM (WITH BUCHER BRAND AUXILIARY PUMP)

FIG & ITEM #	PART NUMBER	DESCRIPTION	QTY.	REV.
		STANDARD HYDRAULIC DIAGRAM	Ref	
	1001143187	800A	Ref	A
	1001143188	800AJ	Ref	A
1	2220381	Fitting, Straight	2	
2	2220415	Fitting, Straight	8	
3	2753199	Hose	1	
4	2220373	Fitting, Straight	6	
5	2220500	Fitting, Elbow	3	
6	2220947	Fitting, Straight	1	
7	2220376	Fitting, Straight	1	
8	2220593	Fitting, Straight	2	
9	2220371	Fitting, Straight	4	
10	2220873	Fitting, Straight	5	
11	2220428	Fitting, Quick Disconnect	AR	
12	2220429	Fitting, Dust Cap	AR	
13	2220502	Fitting, Elbow	1	
14	2220737	Split Flange Kit #24	1	
15	2220478	Split Flange Kit #16	1	
16	2220451	Fitting, Straight	1	
17	Not Used			
18	2753200	Hose	1	
19	2220466	Fitting, Elbow	4	
20	2220582	Fitting, Straight	1	
21	2220473	Fitting, Elbow	AR	
22	2220602	Fitting, Tee	1	
23	2220999	Fitting, Tee	2	
24	2220619	Fitting, Reducer	1	
25	2220605	Fitting, Tee	2	
26	Not Used			
27	2220765	Fitting, Straight	1	
28	2220379	Fitting, Straight	1	
29	2220574	Fitting, Straight	1	
30	2220596	Fitting, Elbow	4	
31	2220385	Fitting, Tee	1	
32	2220618	Fitting, Reducer	1	
33	Not Used			
34	2220852	Fitting, Straight	2	
35	2753197	Hose	1	
36	2753196	Hose	1	
37	2220490	Fitting, Tee	2	
38	4567139	Tube	1	
39	0100020	Sealant, Pipe	AR	
40	2753216	Hose	1	
41	2753195	Hose	1	
42	2753231	Hose	1	
43	2753010	Hose	2	

SECTION 6 HYDRAULIC

SECTION 6 HYDRAULIC

**FIGURE 6-5. STANDARD HYDRAULIC DIAGRAM (WITH BUCHER BRAND AUXILIARY PUMP)
(CONTINUED)**

FIG & ITEM #	PART NUMBER	DESCRIPTION	QTY.	REV.
44	2752468	Hose	1	
45	2752721	Hose	1	
46	2752438	Hose	1	
47	2753192	Hose	1	
48	2752494	Hose	1	
49	2753008	Hose	1	
50	2752671	Hose	1	
51	4640780	Fitting, Check Valve	1	
52	2753118	Hose	1	
53 to 54	Not Used			
55	2220609	Fitting, Reducer	2	
56	2752463	Hose	1	
57	2220577	Fitting, Straight	1	
58	Not Used			
59	2752768	Hose	1	
60	2752930	Hose	1	
61	Not Used			
62	2752462	Hose	2	
63	Not Used			
64	Not Used			
65	2753189	Hose	2	
66	2752767	Hose	1	
67	2752766	Hose	1	
68	2753190	Hose	1	
69	2753191	Hose	1	
70	2752978	Hose	1	
71	2752585	Hose	2	
72		Hose Options:	3	
	2753009	800A		
	2753006	800AJ		
73	2753007	Hose	3	
74	2753124	Hose	1	
75	2753125	Hose	1	
76		Hose Options:	2	
	2753129	800A		
	2753126	800AJ		
77	2220501	Fitting, Elbow	1	
78	4567757	Tube	1	
79		Fitting, Reducer Options:	2	
	Not Required	800A		
	2220591	800AJ		
80		Hose Options:	2	
	Not Required	800A		
	2753123	800AJ		
81		Hose Options:	2	
	Not Required	800A		
	2753128	800AJ		
82	4100062	Protection, Nylon Hose (24in/61cm per piece)	4	

SECTION 6 HYDRAULIC

SECTION 6 HYDRAULIC

**FIGURE 6-5. STANDARD HYDRAULIC DIAGRAM (WITH BUCHER BRAND AUXILIARY PUMP)
(CONTINUED)**

FIG & ITEM #	PART NUMBER	DESCRIPTION	QTY.	REV.
83	2220873	Fitting (800AJ Only)	1	
84	2220947	Fitting, Straight	1	
85	2221036	Fitting, Elbow	1	
86	2220950	Fitting, Elbow	1	
87 to 88	Not Used			
89	2220655	Fitting, Elbow	1	
90	2220501	Fitting	1	
91	2220603	Fitting, Straight	3	
92		Fitting, Modified Options:	1	
	Not Required	800A		
	2180724	800AJ		
93		Fitting, Orifice Options:	1	
	Not Required	800A		
	2180380	800AJ		
94	0100019	Compound, Locking	AR	
95	1001109690	Hose	1	
96	2220606	Fitting, Tee	1	
97	2220923	Fitting, Straight	1	
98	1001143192	Hose	1	

		Hose Kit Options:	1	
		800A		
	2902456	Hose Kit (Includes Items 72 & 76)		
	2902457	Hose Kit (Includes Items 3, 35, 36, 41, 44, 49, 60, 65, 67, 69, 70, 71 & 73)		
		800AJ		
	2902459	Hose Kit (Includes Items 72, 76 & 81)		
	2902457	Hose Kit (Includes Items 3, 35, 36, 41, 44, 49, 60, 65, 67, 69, 70, 71 & 73)		

SECTION 6 HYDRAULIC

SECTION 6 HYDRAULIC

FIGURE 6-6.HYDRAULIC DIAGRAM LIST

		Note: Diagrams with asterisk (*) are shown in the preceding pages. Information on diagrams not shown is available from JLG Service/Parts Departments.	Ref
	2792367*	Axle Lockout Hydraulic Diagram	Ref
		Drive Hydraulic Diagrams:	Ref
	2792362*	2WD/2WS Machines	Ref
	2792363*	4WD/2WS Machines	Ref
	2792364	4WD/4WS Machines	Ref
		Standard Hydraulic Diagrams:	Ref
	2792365*	800A (Haldex Brand Auxiliary Pump)	Ref
	1001143187*	800A (Bucher Brand Auxiliary Pump)	Ref
	2792366*	800AJ (Haldex Brand Auxiliary Pump)	Ref
	1001143188*	800AJ (Bucher Brand Auxiliary Pump)	Ref
	2792351	Standard Hydraulic Schematic	Ref
		Tilt Sensor Installation Options:	Ref
	1001091538	Pre ADE System	Ref
	1001093187	ADE System	Ref
	1001094557	Adapter, Pressure Tap	1

SECTION 7 ELECTRICAL

TABLE OF CONTENTS

FIGURE	DESCRIPTION	PAGE
7-1	ELECTRICAL DIAGRAM LIST	7-2
7-2	HARNESS COMPONENTS INSTALLATION (PRIOR TO SN 0300064432)	7-6
7-3	HARNESS COMPONENTS INSTALLATION (WITH ADE SYSTEM) (SN 0300064009 ONLY)	7-18
7-4	HARNESS COMPONENTS INSTALLATION (WITH ADE SYSTEM) (SN 0300064432 TO SN 0300069000)	7-26

SECTION 7 ELECTRICAL

FIGURE 7-1.ELECTRICAL DIAGRAM LIST

FIG & ITEM #	PART NUMBER	DESCRIPTION	QTY.	REV.
		NOTE: THESE MACHINE SN'S AL03000SO EQUIPPED WITH ADE SYSTEM: 0300062045, 0300062797, 0300063013, 0300063665, 0300063975, 0300064000-0300064017, 0300064390, 0300064392 & 0300064411.	Ref	
		ALARM ELECTRICAL DIAGRAMS	Ref	
	4933025/1282937	Motion Alarm (Prior to SN 0300065634)	Ref	1/A
	4933026/1282937	Travel Alarm (Prior to SN 0300065634)	Ref	1/A
	See 1870132	Schematic Diagram (SN 0300065634 to SN 0300069000)	Ref	B
	1282571	COLD WEATHER START ELECTRICAL DIAGRAM	Ref	F
	4933307	DRIVE/STEER CUT-OUT ELECTRICAL DIAGRAMS	Ref	A
	4932986	ENGINE SHUTDOWN ELECTRICAL DIAGRAM (DEUTZ ENGINE MACHINES OPTION)	Ref	B
		GENERATOR ELECTRICAL DIAGRAMS	Ref	
	4932915	110Volt (Prior to SN 0300056098)	Ref	1/A
	4933150	110Volt (SN 0300056098 to SN 0300064432)	Ref	2/B
	4933215	110Volt (ADE SYSTEM) (SN 0300064432 TO SN 0300069000)	Ref	1/A
	4932989	220 Volt (Prior to SN 0300056098)	Ref	1/B
	4933149	220 Volt (SN 0300056098 to SN 0300064432)	Ref	2/B
	4933216	220 Volt (ADE SYSTEM) (SN 0300064432 TO SN 0300069000)	Ref	1/A
		GLOW PLUG DIAGRAM OPTIONS:	Ref	
	4933175	Prior to SN 0300064432	Ref	A
	4933189	SN 0300064432 to SN 0300069000	Ref	A
		Harness Options:	1	
	4922542	Prior to SN 0300064432		
	4922565	SN 0300064432 to SN 0300069000		
		LIGHTS ELECTRICAL DIAGRAMS	Ref	
	4932917	Headlight/Taillight (Prior to SN 0300064432)	Ref	3/D
	4922095	Harness (Located in Platform Console Box)	1	
	3740049	Relay	1	
	4933199	Headlight/Taillight (ADE System) (SN 0300064009 Only)	Ref	A
	4922484	Harness (Located in Ground Console Box)	1	
	3740049	Relay	1	
	4933231	Headlight/Taillight (ADE System) (SN 0300064432 to SN 0300069000)	Ref	1/B
	4922643	Harness (Located in Ground Console Box)	1	
	3740049	Relay	1	

SECTION 7 ELECTRICAL

FIGURE 7-1.ELECTRICAL DIAGRAM LIST

FIG & ITEM #	PART NUMBER	DESCRIPTION	QTY.	REV.
		STROBE LIGHT OPTIONS:	Ref	
	4933027/1282937	Prior to SN 0300064432	Ref	1/A
	See 1870132	SN 0300064432 to SN 0300069000 Schematic Diagram	Ref	B
		OIL COOLER ELECTRICAL DIAGRAMS:	Ref	
	0256762/1282665	Deutz Engine	Ref	3/C
	0256777/1282663	Ford Engine	Ref	3/B
		PLATFORM ELECTRICAL DIAGRAMS:	Ref	
	4922155	Prior to SN 0300064432	Ref	5/D
	4922509	With ADE System (SN 0300064009 Only)	Ref	C
	4922639	With ADE System (SN 0300064432 to SN 0300069000)	Ref	3/C
	4932980	PLATFORM SOFT TOUCH SYSTEM ELECTRICAL DIAGRAM (PRIOR TO SN 0300064432)	Ref	2/C
	3740057	Relay (Located in Platform Console Box)	1	
	4120012	Socket, Relay (Located in Platform Console Box)	1	
	3740066	Spring, Relay (Located in Platform Console Box)	1	
	3740049	Relay (Located in Platform Console Box)	1	
	4460600	Block, Terminal (Located in Platform Console Box)	1	
	4933218	PLATFORM SOFT TOUCH SYSTEM ELECTRICAL DIAGRAM (WITH ADE SYSTEM) (SN 0300064432 TO SN 0300069000)	Ref	1/B
		PLATFORM WORKLIGHTS ELECTRICAL DIAGRAMS:	Ref	
	0258048	Prior to SN 0300064432	Ref	2/E
	0270814	With ADE System (SN 0300064432 to SN 0300069000)	Ref	2/D
		STANDARD ELECTRICAL DIAGRAMS:	Ref	
	4932982	Deutz Machines (Prior to SN 0300064432)	Ref	5/F
	4933195	Deutz Engine (With ADE System) (SN 0300064009 Only)	Ref	3/C
	4933232	Deutz Engine (With ADE System) (SN 0300064432 to SN 0300069000)	Ref	3/C
	4933058	Ford Machines (Prior to SN 0300048538)	Ref	2/D
	4932981	Ford Machines (SN 0300048538 to SN 0300064432)	Ref	4/C
	4933233	Ford EFI Engine (With ADE System) (SN 0300064432 to SN 0300069000)	Ref	3/C
	4932983	Isuzu Machines (SN 0300058865 to SN 0300069000)	Ref	2/C
		STANDARD ELECTRICAL SCHEMATIC OPTIONS:	Ref	
	1870063	Deutz Machines (Prior to SN 0300065634)	Ref	I
	1870062	Ford Machines (Prior to SN 0300048538)	Ref	B
	1870100	Ford Machines with EFI (SN 0300048538 to SN 0300065634)	Ref	G

SECTION 7 ELECTRICAL

SECTION 7 ELECTRICAL

FIGURE 7-1.ELECTRICAL DIAGRAM LIST

FIG & ITEM #	PART NUMBER	DESCRIPTION	QTY.	REV.
	1870120	Isuzu Machines (SN 0300058865 to SN 0300069000)	Ref	G
	1870132	Deutz/Ford EFI (With ADE System) (SN 0300065634 to SN 0300069000)	Ref	M
		NOTE: FOR SCHEMATIC P/N 1870132 SEE FIELD BULLETIN FSB107C2 FOR PLATFORM AND MTB WIRING.	Ref	

SECTION 7 ELECTRICAL

SECTION 7 ELECTRICAL

FIGURE 7-1.ELECTRICAL DIAGRAM LIST

FIG & ITEM #	PART NUMBER	DESCRIPTION	QTY.	REV.

**S
E
C
T
I
O
N

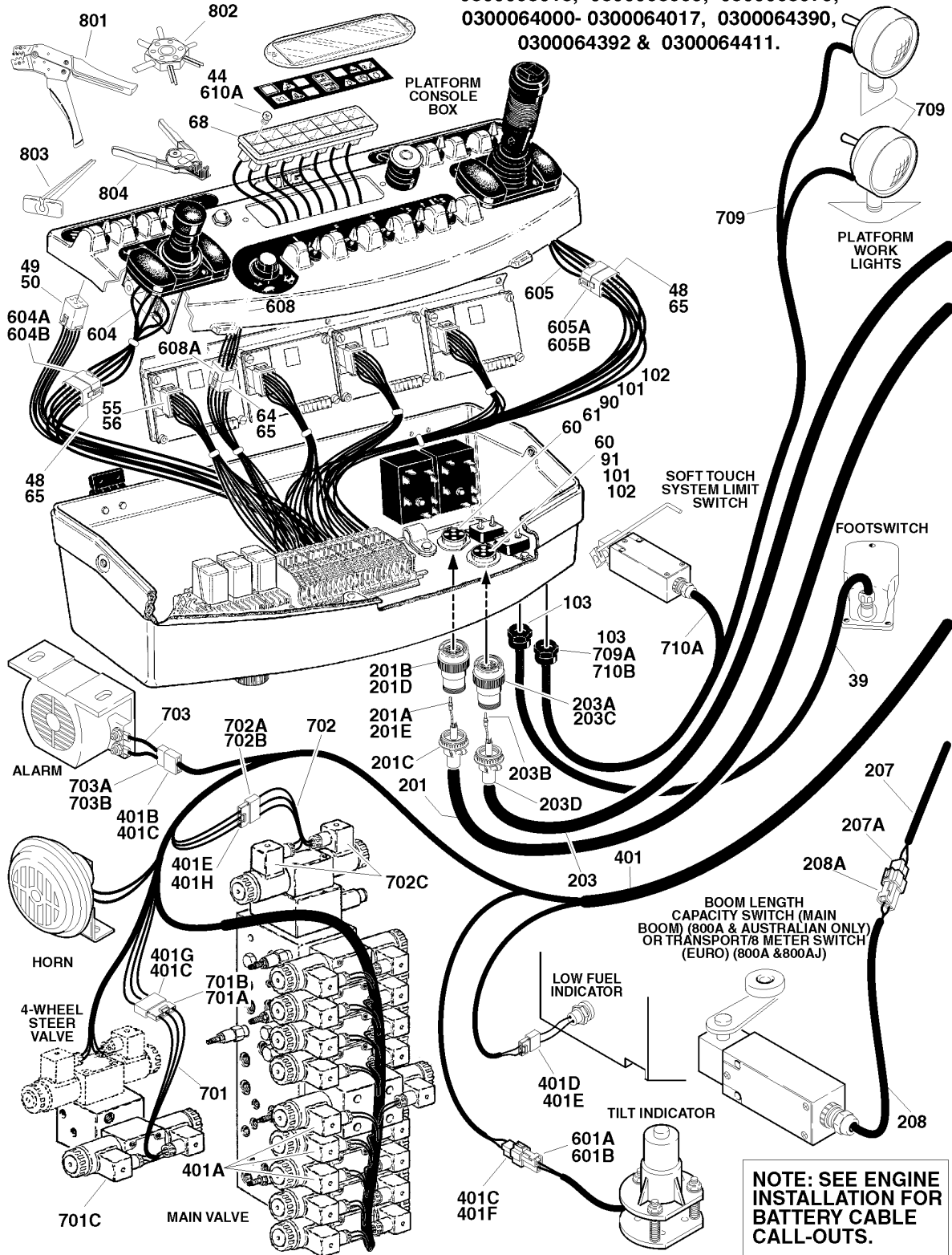
7

E
L
E
C
T
R
I
C
A
L**

SECTION 7 ELECTRICAL

FIGURE 7-2. HARNESS COMPONENTS INSTALLATION (PRIOR TO SN 0300064432)

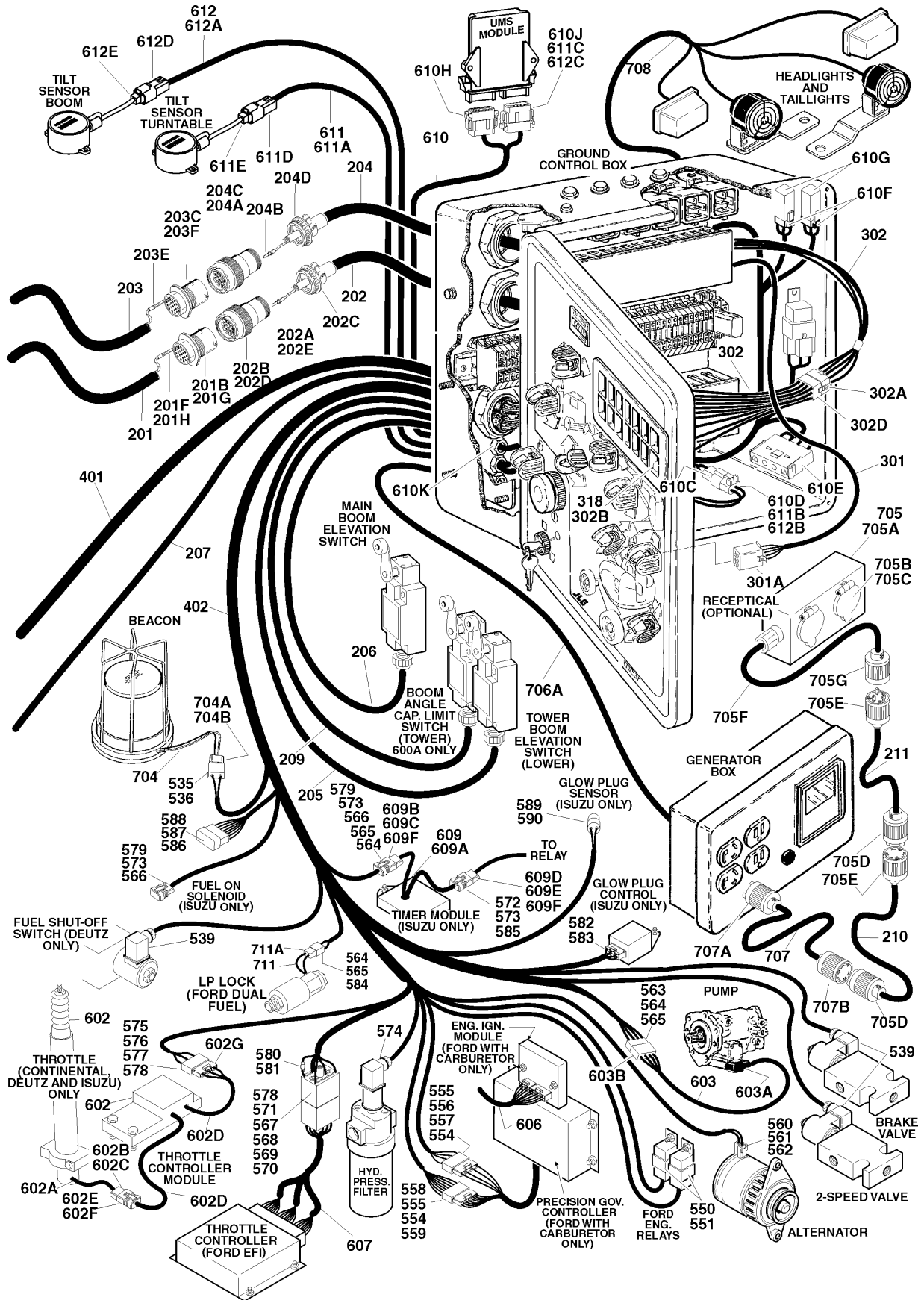
NOTE: These Machine S N's
Also Equipped With ADE
System: 0300062045, 0300062797,
0300063013, 0300063665, 0300063975,
0300064000- 0300064017, 0300064390,
0300064392 & 0300064411.



NOTE: SEE ENGINE
INSTALLATION FOR
BATTERY CABLE
CALL-OUTS.

SECTION 7 ELECTRICAL

SECTION 7 ELECTRICAL



SECTION 7 ELECTRICAL

SECTION 7 ELECTRICAL

FIGURE 7-2. HARNESS COMPONENTS INSTALLATION (PRIOR TO SN 0300064432)

FIG & ITEM #	PART NUMBER	DESCRIPTION	QTY.	REV.
		NOTE: THESE MACHINE SN'S ALSO EQUIPPED WITH ADE SYSTEM: 0300062045, 0300062797, 0300063013, 0300063665, 0300063975, 0300064000-0300064017, 0300064390, 0300064392 & 0300064411.	Ref	
		HARNESS COMPONENTS INSTALLATION	Ref	
	4922155	PLATFORM BOX HARNESS ASSEMBLY (Note: Also includes terminal block/rail assembly and Bosch relays - See PLATFORM SECTION)	Ref Ref	2/B
1 to 38	Not Used			
39	1060012	Cable, Electrical - 12/4	7ft/2.13m	
40 to 43	Not Used			
44	2920129	Bulb, Light	9	
45 to 47	Not Used			
48	4460265	Plug, Male - 9 Position	2	
49	4460418	Connector - 6 Position	9	
50	4460419	Terminal, Female	45	
51 to 54	Not Used			
55	4460720	Connector - 15 Position	4	
56	4460721	Socket, Female	38	
57 to 59	Not Used			
60	4460464	Pin, Male (16 Gauge)	10	
61	4460508	Pin, Male (12 Gauge)	4	
62	3990001	Diode - 3 Amp (Not Shown)	14	
63	Not Used			
64	4460225	Connector, Plug - 3 Position	1	
65	4460267	Pin, Male	22	
66	3990010	Diode - 6 Amp (Not Shown)	9	
67	Not Used			
68	4120035	Base, Light	9	
69 to 89	Not Used			
90	4460613	Connector - 21 Position	1	
91	4460503	Connector - 31 Position	1	
		PLATFORM BOX ASSEMBLY COMPONENTS	Ref	
101	4460470	Nut, Conduit	2	
102	4460471	Washer	2	
103	4460428	Connector, Strain Relief	2	

SECTION 7 ELECTRICAL

SECTION 7 ELECTRICAL

FIGURE 7-2. HARNESS COMPONENTS INSTALLATION (PRIOR TO SN 0300064432)

FIG & ITEM #	PART NUMBER	DESCRIPTION	QTY.	REV.
		BOOM CABLES INSTALLATION	Ref	
	0258655	800A (All Specs except Latin American Spec)	Ref	C
	0258657	800AJ (All Specs except Latin American Spec)	Ref	3
201		Harness Assembly - Main Boom (10/4-18/16) Options:	1	
	4922130	800A		
	4922180	800AJ		
	1060676	Cable, Electrical - 10/4-18/16	AR	
201A	4460465	Socket, Female	16	
201B	4460466	Seal, Plug	2	
201C	4460473	Clamp. Cable	1	
201D	4460614	Connector - 21 Socket	1	
201E	4460509	Socket, Female	4	
201F	4460464	Pin, Male (16 Gauge)	16	
201G	4460613	Connector - 21 Position	1	
201H	4460508	Pin, Male (12 Gauge)	4	
202	4922131	Harness Assembly - Tower Boom (10/4-18/16)	1	
	1060676	Cable, Electrical - 10/4-18/16	47ft/14.3m	
202A	4460465	Socket, Female	16	
202B	4460466	Seal, Plug	1	
202C	4460473	Clamp. Cable	1	
202D	4460614	Connector - 21 Socket	1	
202E	4460509	Socket, Female	4	
203		Harness Assembly - Main Boom (16/30) Options:	1	
	4922169	800A		
	1060516	Cable, Electrical - 16/30	67ft/20.4m	
	4922181	800AJ		
	1060516	Cable, Electrical - 16/30	64ft/19.5m	
203A	4460502	Connector - 31 Position	1	
203B	4460465	Socket, Female	30	
203C	4460466	Seal, Plug	2	
203D	4460473	Clamp. Cable	1	
203E	4460464	Pin, Male (16 Gauge)	30	
203F	4460503	Connector - 31 Socket	1	
204	4922170	Harness Assembly - Tower Boom (16/30)	1	
	1060516	Cable, Electrical - 16/30	47ft/14.3m	
204A	4460502	Connector - 31 Position	1	
204B	4460465	Socket, Female	30	
204C	4460466	Seal, Plug	1	
204D	4460473	Clamp. Cable	1	
205	4922171	Harness Assembly - Tower Boom (16/3)	1	
206	4922172	Harness Assembly - Main Boom (16/3)	1	
207	4922173	Harness Assembly - Tower Boom (16/3) (800A Only)	1	
207A	4460465	Socket, Female	3	
	4460539	Connector, Terminal - 3 Position	1	

SECTION 7 ELECTRICAL

SECTION 7 ELECTRICAL

FIGURE 7-2. HARNESS COMPONENTS INSTALLATION (PRIOR TO SN 0300064432)

FIG & ITEM #	PART NUMBER	DESCRIPTION	QTY.	REV.
208	4922174	Harness Assembly - Main Boom (16/3) (800A Only)	1	
208A	4460464	Pin, Male	3	
	4460536	Plug, Terminal - 3 Position	1	
209	4922175	Harness Assembly (16/3) (800A Only)	1	
210	4922217	Harness Assembly - Tower Boom (10/3) Options:	1	
211		Harness Assembly - Main Boom (10/3) Options:	1	
	4922215	800A		
	4922216	800AJ		
212	1320256	Clamp, Block (Not Shown-Located on back of T/T)	1	
		GROUND CONTROL BOX DIAGRAMS	Ref	
	4932982	DEUTZ ENGINE MACHINES	Ref	5/E
	4933058	FORD ENGINE MACHINES (Prior to SN 0300048538)	Ref	3/D
	4932981	FORD EFI ENGINE MACHINES (SN 0300048538 to SN 0300064432)	Ref	2/A
	4932983	ISUZU ENGINE MACHINES (SN 0300060285 to SN 0300064432)	Ref	2/A
301		Harness Assembly - Ground Control Box Options:	1	
	4922146	Deutz/Ford/Isuzu		3/B
	4922318	Ford EFI (SN 0300048538 to SN 0300064432)		C
	3990010	Diode - 6 Amp (Not Shown)	13	
	3730099	Resistor Adjustable (Not Shown)	2	
301A	4460418	Connector - 6 Position	9	
	4460419	Terminal, Female	AR	
302		Harness Assembly - Light Panel	1	
	4922145	Prior to SN 0300048538		2/B
	4922311	SN 0300048538 to SN 0300064432		3/C
	3730023	Resistor 510 Ohn 1/2 Watt (Not Shown)	1	
	3990001	Diode 3 Amp (Not Shown)	4	
302A	4460266	Connector, Female - 9 Position	1	
	4460268	Socket, Female	9	
302B	4120035	Base, Light	AR	
	4460634	Terminal (Single Wire)	6	
	4460635	Terminal (Double Wire)	4	
302C	4460267	Pin, Male	7	
	4460265	Plug, Male - 9 Position	1	
303		Sub-Harness - Start Options (Not Shown):	1	
	4922008	Deutz Engine Machines (Prior to SN 0300056439)		
	4922473	Deutz Engine Machines (SN 0300056439 to SN 0300064432)		
	4922006	Ford Engine Machines (Prior to SN 0300056439)		
	4922472	Ford EFI Engine Machines (SN 0300056439 to SN 0300064432)		
	4922463	Isuzu Engine Machines		
304 to 311	Not Used			

SECTION 7 ELECTRICAL

SECTION 7 ELECTRICAL

FIGURE 7-2. HARNESS COMPONENTS INSTALLATION (PRIOR TO SN 0300064432)

FIG & ITEM #	PART NUMBER	DESCRIPTION	QTY.	REV.
312	3990010	Diode 6 Amp (Not Shown)	9	
313 to 316	Not Used			
317	3730099	Resistor 750 Ohm (Not Shown)	2	
318	2920129	Bulb, Light	AR	
		GROUND CONTROL BOX ASSY COMPONENTS	Ref	
401	4922046	Valve Harness Assembly	1	2/D
401A	4460499	DIN Connector with Diode	19	
401B	4460320	Plug, Male - 2 Position	1	
401C	4460267	Pin, Male	11	
401D	4460424	Receptacle, Female - 2 Position	1	
401E	4460268	Socket, Female	5	
401F	4460225	Housing, Terminal - 6 Position	1	
401G	4460445	Receptacle, Female - 3 Position	1	
401H	4460449	DIN Connector without Diode	1	
402		Engine Harness Assembly Options (See Items 501-575 for Breakdown)	1	
	4922077	Deutz Engine Machines		
	4922138	Ford Engine Machines (Prior to SN 0300048538)		
	4922272	Ford Engine Machines (SN 0300048538 to SN 0300064432)		
	4922235	Isuzu Engine Machines (SN 0300060285 to SN 0300064432)		
		ENGINE HARNESS ASSEMBLY	Ref	
	4922077	DEUTZ ENGINE MACHINES	Ref	5/F
	4922138	FORD ENGINE MACHINES (PRIOR TO SN 0300048538)	Ref	3/C
	4922272	FORD ENGINE WITH EFI MACHINES (SN 0300048538 TO SN 0300064432)	Ref	6/G
	4922235	ISUZU ENGINE MACHINES (SN 0300060285 TO SN 0300064432)	Ref	3/B
501 to 527	Not Used			
528	4460268	Socket, Female (Deutz Engine Only)	11	
529	4460267	Pin, Male (Deutz Engine Only)	12	
530 to 534	Not Used			
535	4460424	Receptacle, Female - 2 Position	1	
536	4460268	Socket, Female	2	
537 to 538	Not Used			
539	4460499	DIN Connector with Diode	AR	
540 to 544	Not Used			
545	4460445	Housing, Terminal - 3 Position (Deutz Engine Only)	1	
546	Not Used			
547	4460265	Plug, Male - 9 Position (Deutz Engine Only)	1	
548	4460266	Connector, Female - 9 Position (Deutz Engine Only)	1	
549	Not Used			
550	4460374	Plug, Sealed (Ford/Ford EFI Engine Only)	1	

SECTION 7 ELECTRICAL

SECTION 7 ELECTRICAL

FIGURE 7-2. HARNESS COMPONENTS INSTALLATION (PRIOR TO SN 0300064432)

FIG & ITEM #	PART NUMBER	DESCRIPTION	QTY.	REV.
551	4460375	Terminal (Ford/Ford EFI Engine Only)	5	
552 to 553	Not Used			
554	4460608	Seal, Terminal (Ford Engine Only)	12	
555	4460589	Terminal (Ford Engine Only)	12	
556	4460590	Housing - 4 Position (Ford Engine Only)	1	
557	4460591	Lock, Terminal (Ford Engine Only)	1	
558	4460587	Housing - 8 Position (Ford Engine Only)	1	
559	4460588	Lock, Terminal (Ford Engine Only)	1	
560	4460582	Terminal (Ford/Ford EFI Engine Only)	3	
561	4460580	Lock, Terminal (Ford/Ford EFI Engine Only)	1	
562	4460579	Housing - 3 Position (Ford/Ford EFI Engine Only)	1	
563	4460460	Connector, Male - 4 Position	1	
564	4460457	Terminal, Female	AR	
565	4460458	Seal, Terminal	AR	
566	4460459	Plug, Male - 3 Position (Isuzu Engines Only)	2	
567	4460713	Housing - 42 Position (Ford EFI Engine Only)	1	
568	4460725	Lock, Wedge - Center (Ford EFI Engine Only)	1	
569	4460726	Lock, Wedge - Side (Ford EFI Engine Only)	2	
570	4460800	Plug, Hole (Ford EFI Engine Only)	29	
571	4460799	Pin, Male (Ford EFI Engine Only)	9	
572	4460476	Housing (Isuzu Engines Only)	1	
573	4460789	Seal, Terminal (Isuzu Engines Only)	2	
574	4460449	DIN Connector without Diode	1	
575	4460777	Plug, Male - 4 Position (Deutz/Isuzu Engines Only)	1	
576	4460591	Lock, Terminal (Deutz/Isuzu Engines Only)	1	
577	4460589	Socket, Female (Deutz/Isuzu Engines Only)	AR	
578		Options:	AR	
	4460608	Seal, Terminal (Deutz/Isuzu Engines Only)	AR	
	4460728	Pin, Male (Ford EFI Engine Only)	4	
579	4460790	Socket, Female (Isuzu Engines Only)	2	
580	2400061	Fuse (Ford EFI Engine Only)	2	
581	2400060	Fuseholder/Cover (Ford EFI Engine Only)	2	
582	4460784	Housing - 6 Position (Isuzu Engines Only)	1	
583	4460783	Terminal, Spade (Isuzu Engines Only)	7	
584	4460742	Plug - 2 Position (Ford EFI Engine Only)	2	
585	4460850	Pin, Male (Isuzu Engines Only)	3	
586	4460465	Terminal (Isuzu Engines Only)	8	
587	4460836	Connector - 12 Position (Isuzu Engines Only)	1	
588	4460837	Housing (Isuzu Engines Only)	1	
589	4460856	Connector (Isuzu Engines Only)	1	
590	4460857	Terminal (Isuzu Engines Only)	2	
		STANDARD HARNESS COMPONENTS	Ref	
601	See Note	Tilt Indicator Harness (Note: Not Available for Purchase.)	1	
601A	4460268	Socket, Female	6	
601B	4460224	Connector, Female - 6 Position	1	

SECTION 7 ELECTRICAL

SECTION 7 ELECTRICAL

FIGURE 7-2. HARNESS COMPONENTS INSTALLATION (PRIOR TO SN 0300064432)

FIG & ITEM #	PART NUMBER	DESCRIPTION	QTY.	REV.
602	See Note	Throttle Actuator/Controller Harness (Deutz & Isuzu) (Note: Not Available for Purchase.)	1	
	Use 2910000	Throttle Actuator & Controller Assembly (was p/n 0060033)	1	
	7008833	Mounting Clamp Kit (Not Shown)	1	
	7008836	Spring, Retract (Not Shown)	1	
602A	Use 2910000	Throttle Actuator & Harness (Note: Not Available for Purchase.)	1	
	7016336	Boot Kit	1	
602B	See Note	Pin, Male (Note: Not Available for Purchase.)	9	
602C	See Note	Connector, Male (Note: Not Available for Purchase.)	1	
602D	2910001	Controller & Harnesses (Purchase p/n 2910000)	1	
602E	See Note	Socket, Female (Note: Not Available for Purchase.)	9	
602F	See Note	Connector, Female (Note: Not Available for Purchase.)	1	
602G	See Note	Plug, Male - 4 Position (Note: Not Available for Purchase.)	1	
	4460693	Pin, Male	4	
	4460591	Clip	1	
	4460608	Seal, Terminal	4	
603	See Note	Pump Harness (Note: Not Available for Purchase.)	1	
603A	See Note	Plug (Pump End) (Note: Not Available for Purchase.)	1	
603B	See Note	Plug (Engine Harness End) (Note: Not Available for Purchase.)	1	
604	See Note	Controller Harness Assembly (Lift and Swing) (Note: Not Available for Purchase.)	1	
604A	4460266	Connector, Female - 9 Position	1	
604B	4460268	Socket, Female	9	
605	See Note	Controller Harness/Circuit Board Assembly (Drive and Steer) (Note: Not Available for Purchase.)	1	
605A	4460266	Connector, Female - 9 Position	1	
605B	4460268	Socket, Female	9	
606	7019980	Ford Engine Harness (For replacement parts refer to Ford Engine dealer (Ford Engine Machines)	1	
607	See Note	Ford Engine Harness ((For replacement parts refer to Ford Engine dealer (Ford EFI Engine Machines) (Note: Not Available for Purchase.)	1	
	7022134	Ford Engine Fuel Pump Harness (Not Shown) (Ford EFI Engine Machines)	1	
	7023657	Ford Engine TPS Harness (Not Shown) (Ford EFI Engine Machines)	1	
608	See Note	Speed Controller Harness Assembly (Note: Not Available for Purchase.)	1	
608A	4460224	Connector, Female - 6 Position	1	
	4460268	Socket, Female	6	
609	0259198	Timer Module Assembly (Isuzu Engine Only)	1	2/B
609A	3740126	Relay, Timer Module	1	

SECTION 7 ELECTRICAL

SECTION 7 ELECTRICAL

FIGURE 7-2. HARNESS COMPONENTS INSTALLATION (PRIOR TO SN 0300064432)

FIG & ITEM #	PART NUMBER	DESCRIPTION	QTY.	REV.
609B	4460476	Housing, Receptacle	1	
609C	4460475	Pin, Male	3	
609D	4460459	Housing, Terminal	1	
609E	4460457	Socket, Female	3	
609F	4460458	Seal, Terminal	6	
610	1001091941	Tilt Harness (MTB Control Box)	1	D
610A	2920129	Bulb	1	
610B	3990001	Diode, 3 AMP (Not Shown)	2	
610C	4460897	Plug, Terminal - 2 Position	1	
	4460464	Pin, Male (16 Gauge)	2	
610D	4460891	Connector, Terminal - 2 Position	1	
610E	4460761	Connector, Female - 4 Position	1	
	4460227	Pin, Male	4	
610F	4460894	Plug, Terminal - 6 Position	2	
	4460465	Socket, Female	8	
610G	4460892	Terminal, Buss Connector - 6 Position	2	
610H	4460909	Connector - 12 Position (Black)	1	
	4460915	Wedge Lock - 12 Position	1	
	4460928	Socket, Female	9	
	4460466	Terminal, Sealing Plug	3	
610J	4460908	Connector - 12 Position (Gray)	1	
	4460915	Wedge Lock - 12 Position	1	
	4460928	Socket, Female	2	
	4460466	Terminal, Sealing Plug	10	
610K	4460526	Connector, Strain Relief	1	
611	1001094791	Tilt Sensor Harness (Turntable)	1	C
611A	1001097957	Cable, Electrical 16/4	8ft/2.4m	
611B	4460465	Socket, Female	2	
611C	4460928	Socket, Female	1	
611D	4461076	Connector - 4 Position (With Wedge Lock & Seal)	1	
	4460917	Pin, Male (Gold)	4	
611E	4461077	Terminal, Plug - 4 Position	1	
	4460918	Socket, Female (Gold)	4	
612	1001091778	Tilt Sensor Harness (Boom)	1	E
612A	1001097957	Cable, Electrical 16/4	46ft/14m	
612B	4460465	Socket, Female	2	
612C	4460928	Socket, Female	1	
612D	4461076	Connector - 4 Position (With Wedge Lock & Seal)	1	
	70002546	Pin, Male (Gold)	4	
612E	1001094400	Tilt Sensor Harness (Boom) (Includes Sensor)	1	C
	4461077	Terminal, Plug - 4 Position	1	
	4460918	Socket, Female (Gold)	4	
		OPTIONAL HARNESS COMPONENTS	Ref	
701	4921928	4WS Valve Harness	1	3/D
701A	4460268	Socket, Female	3	
701B	4460445	Connector, Female - 3 Position	1	
701C	4460499	Connector, DIN with Diode	2	

SECTION 7 ELECTRICAL

SECTION 7 ELECTRICAL

FIGURE 7-2. HARNESS COMPONENTS INSTALLATION (PRIOR TO SN 0300064432)

FIG & ITEM #	PART NUMBER	DESCRIPTION	QTY.	REV.
702	4921927	Jib Valve Harness (800AJ Only)	1	
702A	4460326	Plug, Male - 3 Position	1	
702B	4460267	Pin, Male	3	
702C	4460499	Connector, DIN with Diode	2	
703	See Note	Alarm Harness (Note: Not Available for Purchase.)	1	
703A	4460424	Plug, Male - 2 Position	1	
703B	4460268	Socket, Female	2	
704	See Note	Strobe Light Harness (Note: Not Available for Purchase.)	1	
704A	4460320	Connector, Female - 2 Position	1	
704B	4460267	Pin, Male	2	
705		AC to Platform Receptacle Components Options:		
	0255382	110V GFI Receptacle	Ref	4
	0257176	220V GFI Receptacle	Ref	4
705A	0860038	Box, Switch	1	
705B		Receptacle Options:	1	
	4460346	110V GFI		
	4460125	220V GFI		
705C		Shield, Cover Options:	1	
	4060700	110V GFI		
	4060092	220V GFI		
705D		Plug, Male Options:	2	
	4460205	110V GFI		
	4460233	220V GFI		
705E		Connector, Female Options:	1	
	4460134	110V GFI		
	4460701	220V GFI		
705F		Harness-Receptacle Box to Boom Options:	1	
	4921801	110V		
	See Note	220V (Note: Not Available for Purchase.)		
	1060494	Cable, Electrical - 12/3	18in/47cm	
705G	4460205	Plug, Male (110V)	1	
	4460233	Plug, Male (220V)	1	
706		Generator Electrical Components		
	4932915	110V (Prior to SN 0300056098)	Ref	1/A
	4933150	110V (SN 0300056098 to SN 0300064432)	Ref	2/B
	4932989	220V (Prior to SN 0300056098)	Ref	1/A
	4933149	220V (SN 0300056098 to SN 0300064432)	Ref	2/B
	3990010	Diode - 6 Amp (Not Shown)	1	
706A	4921938	Harness - On/Off Switch (Powermite Control Box to Ground Control Box)	1	
707	4921829	Generator to Rear of Boom Harness (110V)	1	
	4921955	Generator to Rear of Boom Harness (220V)	1	
		Note: Harness used to connect AC at platform harness to generator receptacle to power platform receptacle.	Ref	
	1060494	Cable, Electrical - 12/3	26ft/8m	
707A	4460205	Plug, Male (110V)	1	
	4460233	Plug, Male (220V)	1	

SECTION 7 ELECTRICAL

SECTION 7 ELECTRICAL

FIGURE 7-2. HARNESS COMPONENTS INSTALLATION (PRIOR TO SN 0300064432)

FIG & ITEM #	PART NUMBER	DESCRIPTION	QTY.	REV.
707B	4460134	Receptacle, Female (110V)	1	
	4460701	Receptacle, Female (220V)	1	
708	See Note	Lights Harness (Note: Not Available for Purchase.)	1	
	1060341	Cable, Electrical - 16/2	37ft/11.3m	
709	2920140	Platform Worklights Harness (Includes Light and Wire Only)	2	
	2820035	Loom, Vinyl	9ft/2.8m	
709A	4460598	Connector, Strain Relief	1	
	4460442	Terminal (Not Shown-Located in Platform Console)	2	
710	See Note	Soft-Touch System Harness (Note: Not Available for Purchase.)	1	
710A	1060341	Cable, Electrical - 16/3	16ft/4.9m	
710B	4460425	Connector, Strain Relief	1	
711	See Note	Dual Fuel Shut-Off Filter Harness (Note: Not Available for Purchase.)	1	
711A	7023679	Electrical Connector Kit (Includes [1] 2 Position Connector, 2 Pins & 2 Seals)	1	
		TOOLS	Ref	
801	7002821	Crimper (For Wire to Pin/Socket Connections)	1	
802	7002823	Extractor (For Removal of Pin/Socket from Connectors)	1	
803	4460467	Extractor, Pin (Blue 16-18 Gauge) (For Removal of Pin/Socket from Connectors)	1	
	4460510	Extractor, Pin (Yellow 12-14 Gauge) (For Removal of Pin/Socket from Connectors)	1	
804	7002828	Stripper, Wire	1	

SECTION 7 ELECTRICAL

SECTION 7 ELECTRICAL

FIGURE 7-2. HARNESS COMPONENTS INSTALLATION (PRIOR TO SN 0300064432)

FIG & ITEM #	PART NUMBER	DESCRIPTION	QTY.	REV.

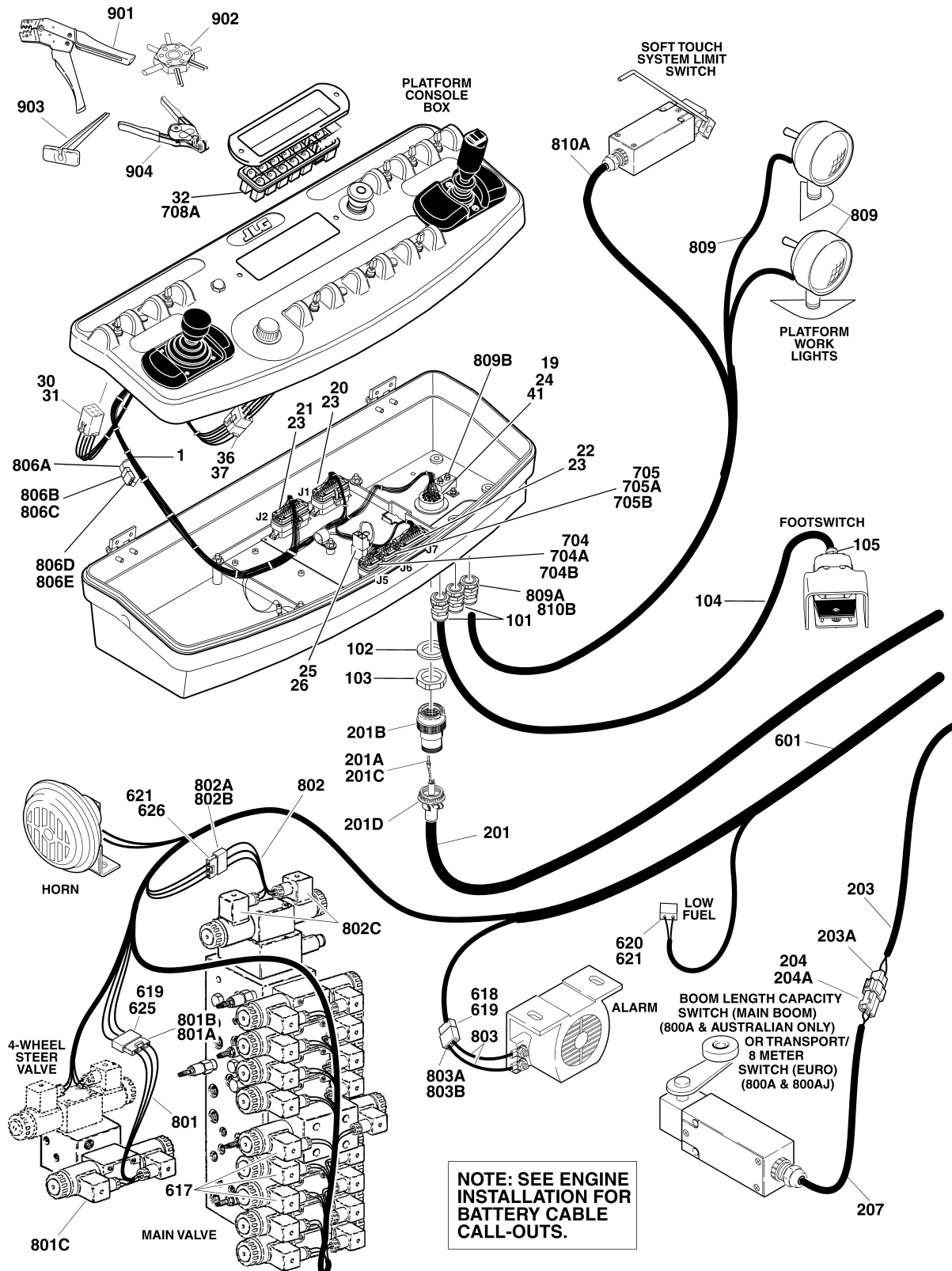
**S
E
C
T
I
O
N

7

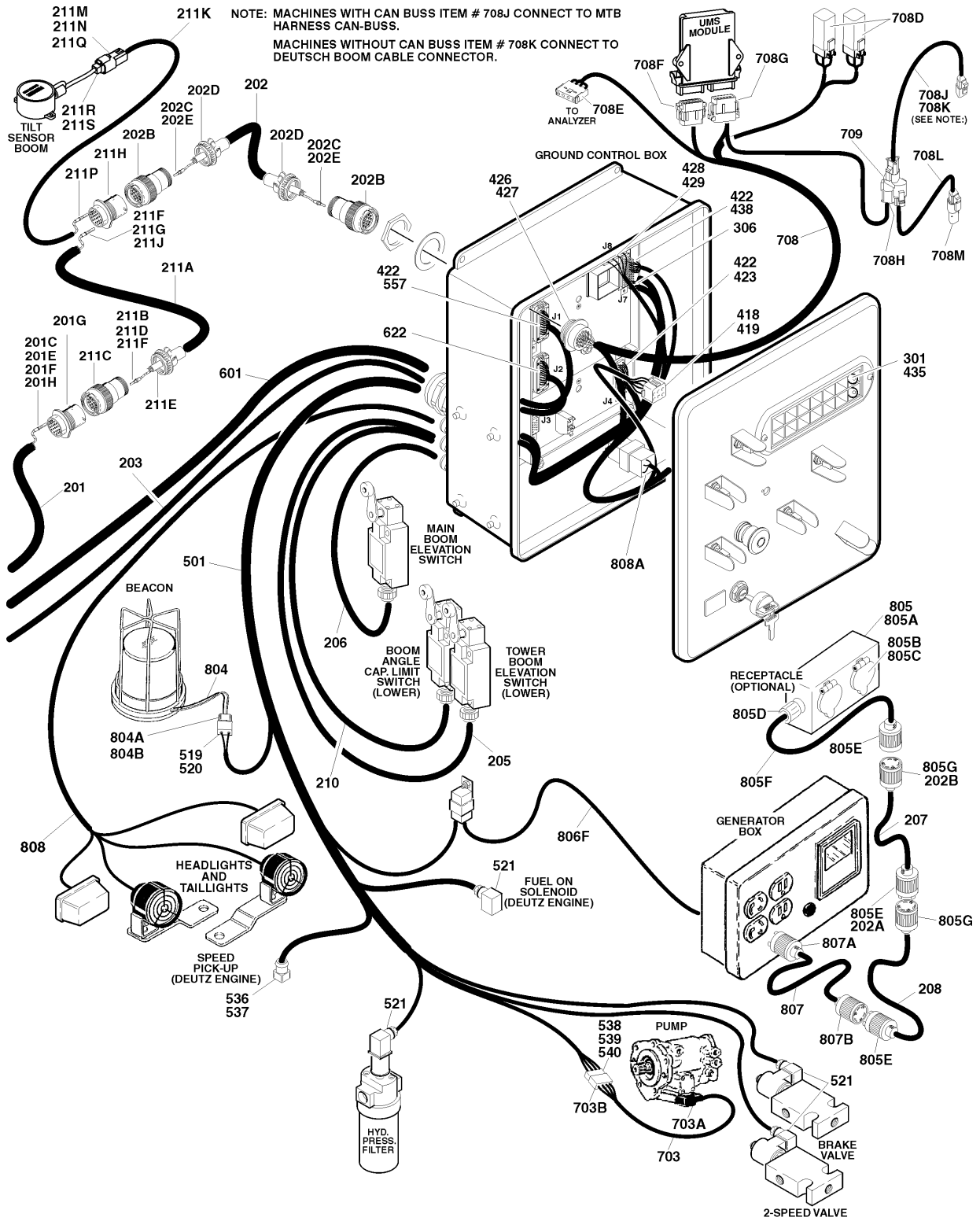
E
L
E
C
T
R
I
C
A
L**

SECTION 7 ELECTRICAL

**FIGURE 7-3. HARNESS COMPONENTS INSTALLATION (WITH ADE SYSTEM)
(SN 0300064009 ONLY)**



SECTION 7 ELECTRICAL



SECTION 7 ELECTRICAL

SECTION 7 ELECTRICAL

FIGURE 7-3. HARNESS COMPONENTS INSTALLATION (WITH ADE SYSTEM) (SN 0300064009 ONLY)

FIG & ITEM #	PART NUMBER	DESCRIPTION	QTY.	REV.
	4922509	PLATFORM BOX HARNESS ASSEMBLY	Ref	2/C
1	4922509	Harness, Console Box	1	
2 to 18	Not Used			
19	4460866	Connector - 19 Pin Receptacle	1	
20	4460874	Connector - 35 Position (Natural)	1	
21	4460875	Connector - 35 Position (Gray)	1	
22	4460873	Connector - 35 Position (Black)	1	
23	4460871	Socket, Female	48	
24	4460464	Pin, Male (16 Gauge)	7	
25	4460879	Terminal, Housing 2 Position	1	
26	4460887	Terminal, (12 Gauge)	2	
27 to 29	Not Used			
30	4460418	Connector - 6 Position	4	
31	4460419	Terminal, Female	12	
32	4120035	Base, Light	7	
33 to 35	Not Used			
36	4460225	Connector - 6 Position	1	
37	4460227	Pin	6	
38 to 40	Not Used			
41	4460508	Pin, Male (12 Gauge)	3	
		PLATFORM BOX ASSEMBLY COMPONENTS	Ref	
101	4460428	Connector, Strain Relief	2	
102	4460470	Nut, Conduit	1	
103	4460471	Washer	1	
104	1060330	Cable, Electrical - 16/3	1	
105	4460071	Connector, Strain Relief	1	
	0271374	BOOM CABLES INSTALLATION (800A)	Ref	B
201	4922575	Harness Assembly - Main Boom (12/4 -18/8)	1	
	1060896	Cable, Electrical - 4 #12 AWG, 8 #18 AWG & 1 STP #18 AWG	AR	
201A	4460465	Socket, Female	11	
201B	4460865	Connector - 19 Position	1	
201C	4460509	Socket, Female	4	
201D	4460473	Clamp. Cable	1	
201E	4460466	Seal, Plug	8	
201F	4460464	Pin, Male (16 Gauge)	11	
201G	4460866	Connector - 19 Position	1	
201H	4460508	Pin, Male (12 Gauge)	4	
202	4922576	Harness Assembly - Tower Boom (12/4 - 18/8)	1	
	1060896	Cable, Electrical - 4 #12 AWG, 8 #18 AWG & 1 STP #18 AWG	44ft/13.4m	
202A	4460465	Socket, Female	22	
202B	4460865	Connector - 19 Position	2	

SECTION 7 ELECTRICAL

SECTION 7 ELECTRICAL

FIGURE 7-3. HARNESS COMPONENTS INSTALLATION (WITH ADE SYSTEM) (SN 0300064009 ONLY)

FIG & ITEM #	PART NUMBER	DESCRIPTION	QTY.	REV.
202C	4460509	Socket, Female	8	
202D	4460473	Clamp, Cable	2	
202E	4460466	Seal, Plug	8	
203	4922579	Harness Assembly - Tower Boom (18/2)	1	
	1060902	Cable, Electrical - 18/2	47ft/14.3m	
203A	4460465	Socket, Female	2	
	4460891	Connector, Terminal - 2 Position	1	
204	4922580	Harness Assembly - Main Boom (18/2)	1	
	1060902	Cable, Electrical - 18/2	27ft/8.2m	
204A	4460464	Pin, Male	2	
	4460897	Plug, Terminal - 2 Position	1	
205	4922577	Harness Assembly - Tower Boom (18/2)	1	
206	4922578	Harness Assembly - Main Boom (18/2)	1	
207	4922215	Harness Assembly - Main Boom (10/3)	1	
208	4922217	Harness Assembly - Tower Boom (10/3)	1	
209	1320256	Clamp, Block (Not Shown-Located on back of T/T)	1	
210	4922581	Harness Assembly (18/2)	1	
211	1001094470	Harness, Boom Cable Jumper	1	
211A	1060896	Cable, Electrical - 4 #12 AWG, 8 #18 AWG & 1 STP #18 AWG	1ft/0.3m	
211B	4460465	Socket, Female	11	
211C	4460865	Connector - 19 Position	1	
211D	4460509	Socket, Female	4	
211E	4460473	Clamp, Cable	1	
211F	4460466	Seal, Plug	8	
211G	4460464	Pin, Male (16 Gauge)	8	
211H	4460866	Connector - 19 Position	1	
211J	4460508	Pin, Male (12 Gauge)	4	
211K	4923613	Harness, Tilt Switch	1	
211L	1060978	Cable, Electrical - 18/3	2ft/0.6m	
211M	1001097051	Connector - 4 Position	1	
211N	1001097082	Pin, Male (Gold)	3	
211P	4460464	Pin, Male (16 Gauge)	3	
211Q	4460466	Seal, Plug	1	
211R	1001094400	Tilt Sensor Harness (Boom) (Includes Sensor)	1	C
211S	4461077	Terminal, Plug - 4 Position	1	
	See Note	Socket, Female (Note: Not Available for Purchase.)	3	
	4933195	GROUND CONTROL BOX DIAGRAM (DEUTZ ENGINE)	Ref	3/C
301	2920129	Bulb, Light	6	
302 to 305	Not Used			
306	4460871	Socket, Female	6	
307	2400065	Fuse, 30Amp (Not Shown)	1	
308	2400066	Fuse, Holder W/Cover (Not Shown)	1	

SECTION 7 ELECTRICAL

SECTION 7 ELECTRICAL

FIGURE 7-3. HARNESS COMPONENTS INSTALLATION (WITH ADE SYSTEM) (SN 0300064009 ONLY)

FIG & ITEM #	PART NUMBER	DESCRIPTION	QTY.	REV.
	4922516	GROUND CONTROL HARNESS ASSEMBLIES	Ref	4/E
401 to 417	Not Used			
418	4460419	Terminal, Female	27	
419	4460418	Connector - 6 Position	9	
420 to 421	Not Used			
422	4460871	Socket, Female	39	
423	4460876	Connector - 35 Position (Blue)	1	
424 to 425	Not Used			
426	4460464	Pin, Male (16 Gauge)	10	
427	4460866	Connector - 19 Pin Receptacle	1	
428	4460878	Housing, Terminal - 4 Position	1	
429	4460887	Terminal	3	
430 to 434	Not Used			
435	4120035	Base, Light	6	
436 to 437	Not Used			
438	4460873	Connector - 35 Position (Black)	1	
	4922549	ENGINE HARNESS ASSEMBLY (DEUTZ ENGINE)	Ref	3/D
501	4922549	Harness, Assembly	1	
502 to 518	Not Used			
519	4460424	Receptacle, Female - 2 Position	1	
520	4460226	Socket, Female	2	
521	4460880	DIN Connector without Diode	AR	
522 to 535	Not Used			
536	4460890	Housing - 2 Position	1	
537	4460889	Terminal	2	
538	4460460	Connector, Male - 4 Position	1	
539	4460457	Terminal, Female	AR	
540	4460458	Seal, Terminal	AR	
541 to 556	Not Used			
557	4460871	Socket, Female	AR	
	4922557	VALVE HARNESS ASSEMBLY	Ref	1/A
601	4922557	Harness, Assembly	1	
602 to 616	Not Used			
617	4460880	DIN Connector	19	
618	4460320	Connector, Female - 2 Position	2	
619	4460267	Pin, Male	7	
620	4460424	Connector, Male - 2 Position	1	
621	4460268	Pin, Female	5	
622	4460871	Socket, Female	31	
623 to 624	Not Used			
625	4460326	Connector, Male - 3 Position	1	
626	4460445	Connector, Female - 3 Position	1	

SECTION 7 ELECTRICAL

SECTION 7 ELECTRICAL

FIGURE 7-3. HARNESS COMPONENTS INSTALLATION (WITH ADE SYSTEM) (SN 0300064009 ONLY)

FIG & ITEM #	PART NUMBER	DESCRIPTION	QTY.	REV.
		STANDARD HARNESS COMPONENTS	Ref	
701 to 702	Not Used			
703	See Note	Pump Harness (Note: Not Available for Purchase.)	1	
703A	7007497	Plug (Pump End)	1	
703B	7007498	Plug (Engine Harness End)	1	
704	See Note	Controller Harness Assembly (Lift and Swing) (Note: Not Available for Purchase.)	1	
704A	7022819	Plug, Male - 8 Position (Natural)	1	
704B	4460871	Socket, Female	8	
705	See Note	Controller Harness/Circuit Board Assembly (Drive and Steer) (Note: Not Available for Purchase.)	1	
705A	7022825	Plug, Male - 8 Position (Black)	1	
705B	4460871	Socket, Female	7	
706 to 707	Not Used			
708	1001093256	Harness, Tilt	Ref	F
708A	2920129	Bulb	1	
	4120035	Socket, Light	1	
708B	4460464	Pin, Male Deutsch (16 Gauge)	4	
708C	4460871	Socket, Female	4	
708D	4460894	Plug, Male - 6 Position	2	
	4460465	Socket, Female	8	
	4460892	Terminal, Buss Connector - 6 Position	2	
708E	4460761	Connector, Female - 4 Position	1	
	4460227	Pin, Male	4	
708F	4460909	Connector - 12 Position (Black)	1	
	4460915	Wedge Lock - 12 Position	1	
	4460928	Socket, Female	6	
708G	4460908	Connector - 12 Position (Gray)	1	
	4460915	Wedge Lock - 12 Position	1	
	4460928	Socket, Female	5	
708H	4460965	Connector, Male - 3 Position	1	
	4460944	Socket, Female (Gold)	3	
708J	4922099	Cable, Can-Buss (Machines with Can Buss Engine Controllers & Caterpillar Engine without Can Buss Engine Controllers)	AR	
	4460965	Connector, Male - 3 Position	1	
	4460944	Socket, Female (Gold)	6	
	4460539	Terminal, Plug - 3 Position	1	
708K	4922099	Cable, Can-Buss (Machines without Can Buss Engine Controllers)	AR	
	4460965	Connector, Male - 3 Position	1	
	4460944	Socket, Female (Gold)	6	
	4460464	Pin, Male Deutsch (16 Gauge)	3	
708L	4922099	Cable, Can-Buss (Machines without Can Buss Engine Controllers)	AR	
	4460539	Terminal, Plug - 3 Position	2	
	4460944	Socket, Female (Gold)	6	

SECTION 7 ELECTRICAL

SECTION 7 ELECTRICAL

FIGURE 7-3. HARNESS COMPONENTS INSTALLATION (WITH ADE SYSTEM) (SN 0300064009 ONLY)

FIG & ITEM #	PART NUMBER	DESCRIPTION	QTY.	REV.
708M	4460536	Terminal, Receptacle - 3 Position (Machines without Can Buss Engine Controllers)	1	
709	1001093187	Tilt Sensor Installation	Ref	C
	4460945	Receptacle - 3 Position (3-Way Tee)	1	
		OPTIONAL HARNESS COMPONENTS	Ref	
801	4921928	4WS Valve Harness	1	
801A	4460268	Socket, Female	3	
801B	4460445	Connector, Female - 3 Position	1	
801C	4460499	Connector, DIN with Diode	2	
802	Not Used			
803	0257887	Alarm Harness (Includes Alarm)	1	
803A	4460424	Plug, Male - 2 Position	1	
803B	4460268	Socket, Female	2	
804	0255917	Strobe Light Harness (Includes Strobe Light)	1	
804A	4460320	Connector, Female - 2 Position	1	
804B	4460267	Pin, Male	2	
805		AC to Platform Receptacle Components Options:		
	0255382	110V GFI Receptacle	Ref	4
	0257176	220V GFI Receptacle	Ref	4
805A	0860038	Box, Switch	1	
805B		Receptacle Options:	1	
	4460346	110V GFI		
	4460125	220V GFI		
805C		Shield, Cover Options:	1	
	4060700	110V GFI		
	4060092	220V GFI		
805D	4460071	Connector	1	
805E		Connector, Female Options:	1	
	4460134	110V GFI		
	4460701	220V GFI		
805F		Harness-Receptacle Box to Boom Options:	1	
	4921801	110V		
	See Note	220V (Note: Not Available for Purchase.)		
	1060494	Cable, Electrical - 12/3	18in/47cm	
805G	4460205	Plug, Male (110V)	2	
	4460233	Plug, Male (220V)	2	
806		Generator Electrical Components		
	4933158	110V	Ref	1/A
	4933162	220V	Ref	1/A
	3990010	Diode - 6 Amp (Not Shown)	1	
806A	4922483	Harness - On/Off Switch	1	
806B	4460320	Connector, Female - 2 Position	1	
806C	4460267	Pin, Male	2	
806D	4460424	Plug, Male - 2 Position	1	
806E	4460268	Socket, Female	2	
806F	4922482	Harness, Powermite Control Box to Relay	1	

SECTION 7 ELECTRICAL

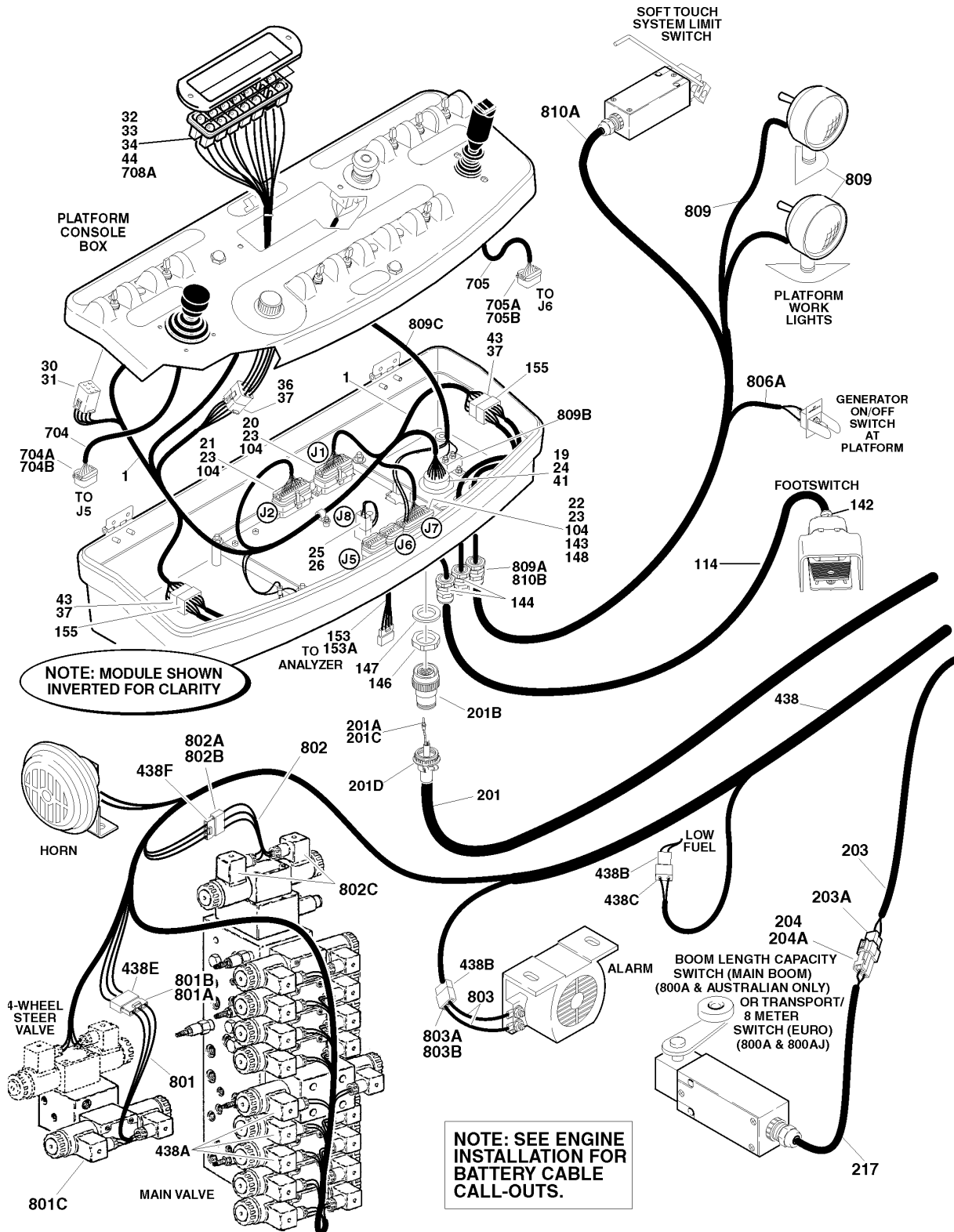
FIGURE 7-3. HARNESS COMPONENTS INSTALLATION (WITH ADE SYSTEM) (SN 0300064009 ONLY)

FIG & ITEM #	PART NUMBER	DESCRIPTION	QTY.	REV.
807	4921829	Generator to Rear of Boom Harness (110V)	1	
	4921955	Generator to Rear of Boom Harness (220V)	1	
		Note: Harness used to connect AC at platform harness to generator receptacle to power platform receptacle.	Ref	
	1060494	Cable, Electrical - 12/3	26ft/8m	
807A	4460205	Plug, Male (110V)	1	
	4460233	Plug, Male (220V)	1	
807B	4460134	Receptacle, Female (110V)	1	
	4460701	Receptacle, Female (220V)	1	
808	See Note	Lights Harness (Note: Not Available for Purchase.)	1	
	1060341	Cable, Electrical - 16/2	37ft/11.3m	
808A	3740049	Relay	1	
808B	4922484	Harness, Bag (Located at to Box) (Not Shown)	1	
809	2920140	Platform Worklights Harness (Includes Light and Wire Only)	2	
	2820035	Loom, Vinyl	9ft/2.8m	
809A	4460598	Connector, Strain Relief	1	
809B	4360232	Circuit Breaker, 15Amp	1	
810	See Note	Soft-Touch System Harness (Note: Not Available for Purchase.)	1	
810A	1060341	Cable, Electrical - 16/3	16ft/4.9m	
810B	4460425	Connector, Strain Relief	1	
		TOOLS	Ref	
901	7002821	Crimper (For Wire to Pin/Socket Connections)	1	
902	7002823	Extractor (For Removal of Pin/Socket from Connectors)	1	
903	4460467	Extractor, Pin (Blue 16-18 Gauge) (For Removal of Pin/Socket from Connectors)	1	
	4460510	Extractor, Pin (Yellow 12-14 Gauge) (For Removal of Pin/Socket from Connectors)	1	
904	7002828	Stripper, Wire	1	
905	2901443	Analyzer Kit (Not Shown)	1	

SECTION 7 ELECTRICAL

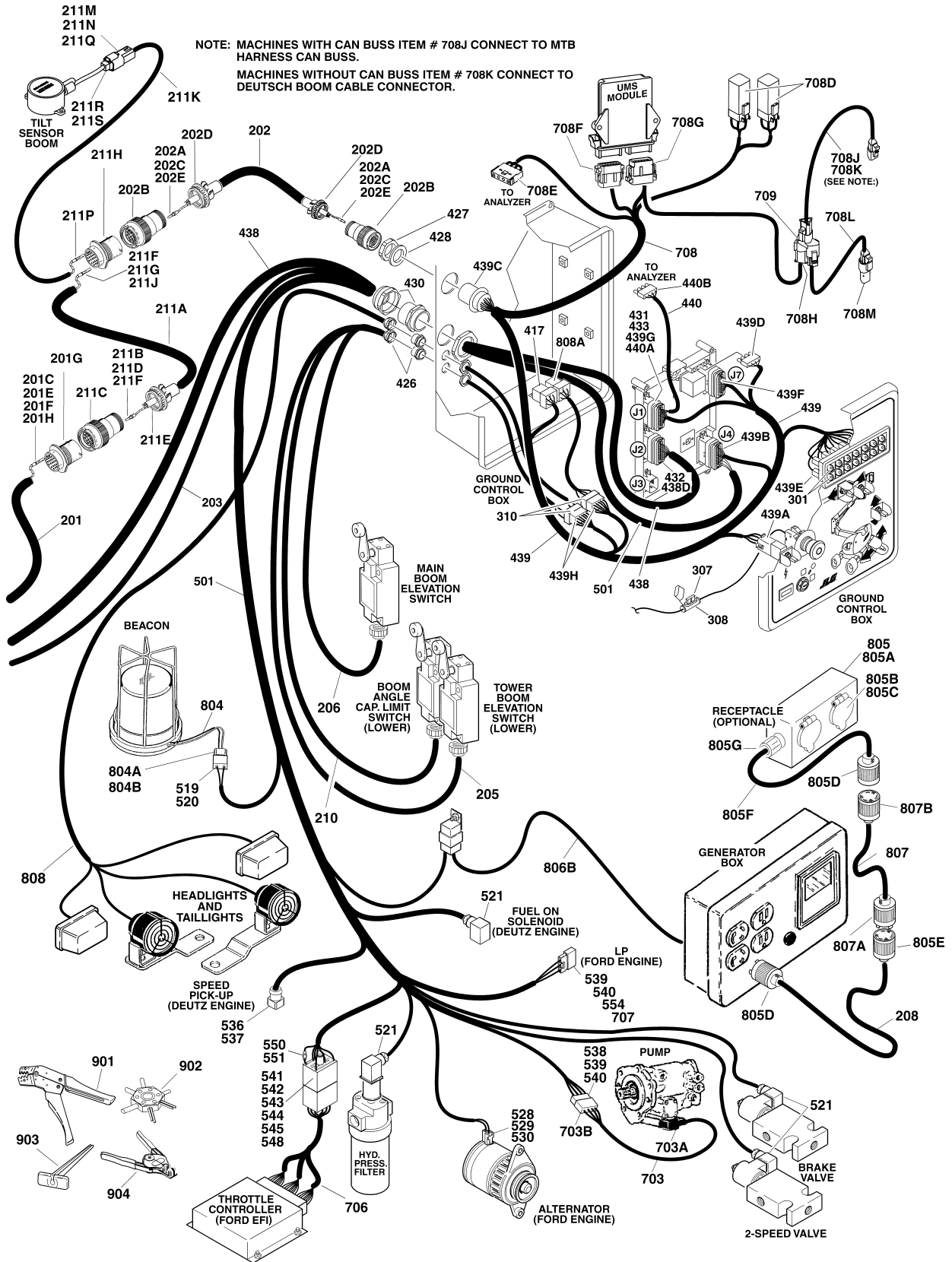
SECTION 7 ELECTRICAL

**FIGURE 7-4. HARNESS COMPONENTS INSTALLATION (WITH ADE SYSTEM)
(SN 0300064432 TO SN 0300069000)**



SECTION 7 ELECTRICAL

SECTION 7 ELECTRICAL



SECTION 7 ELECTRICAL

SECTION 7 ELECTRICAL

FIGURE 7-4. HARNESS COMPONENTS INSTALLATION (WITH ADE SYSTEM) (SN 0300064432 TO SN 0300069000)

FIG & ITEM #	PART NUMBER	DESCRIPTION	QTY.	REV.
	4922639	PLATFORM BOX HARNESS ASSEMBLY	Ref	3/C
1	4922639	Harness, Console Box	1	
2 to 18	Not Used			
19	4460866	Connector - 19 Pin Receptacle	1	
20	4460874	Connector - 35 Position (Natural)	1	
21	4460875	Connector - 35 Position (Gray)	1	
22	4460873	Connector - 35 Position (Black)	1	
23	4460871	Socket, Female	70	
24	4460464	Pin, Male (16 Gauge)	7	
25	4460879	Terminal, Housing 2 Position	1	
26	4460887	Terminal, (12 Gauge)	2	
27 to 29	Not Used			
30	4460418	Connector - 6 Position	8	
31	4460419	Terminal, Female	24	
32	4120035	Base, Light	12	
33	4460634	Terminal, (16 Gauge)	12	
34	4460635	Terminal, (12 Gauge)	12	
35	Not Used			
36	4460225	Connector - 6 Position	1	
37	4460227	Pin	28	
38 to 40	Not Used			
41	4460508	Pin, Male (12 Gauge)	3	
42	Not Used			
43	4460434	Plug, 15 Position Mate-N-Loc	2	
44	2920129	Lamp, Indicator	12	
		PLATFORM BOX ASSEMBLY COMPONENTS	Ref	
101 to 103	Not Used			
104	0100048	Grease, Dielectric	AR	
105 to 113	Not Used			
114	1060918	Cable, Electrical - 18/3	8ft/2.4m	
115 to 141	Not Used			
142	4460071	Connector, Strain Relief	1	
143	4460226	Socket, Female	2	
144	4460428	Connector, Strain Relief	2	
145	Not Used			
146	4460470	Nut, Terminal	1	
147	4460471	Lockwasher, Terminal	1	
148	4460905	Seal, Plug	5	
149 to 152	Not Used			
153	4922666	Harness, Analyzer Cable	1	1/A
	4460226	Socket, Female (Not Shown - Located at J2)	4	
153A	4460761	Connector, Female - 4 Position	1	
	4460227	Pin, Male	4	
154	Not Used			
155	4460708	Terminal, 15 Pin Mate-N-Loc	2	

SECTION 7 ELECTRICAL

FIGURE 7-4. HARNESS COMPONENTS INSTALLATION (WITH ADE SYSTEM) (SN 0300064432 TO SN 0300069000)

FIG & ITEM #	PART NUMBER	DESCRIPTION	QTY.	REV.
		BOOM CABLES INSTALLATION	Ref	
	0271374	800A	Ref	C
	0271376	800AJ	Ref	1
	0272429	800A (With 7500W Generator) (Sky Power)	Ref	A
	0272431	800AJ (With 7500W Generator) (Sky Power)	Ref	1
201		Harness Assembly - Main Boom (12/4 -18/8) Options:	1	
	4922575	800A		
	4922582	800AJ		
	1060896	Cable, Electrical - 4 #12 AWG, 8 #18 AWG & 1 STP #18 AWG	AR	
201A	4460465	Socket, Female	11	
201B	4460865	Connector - 19 Position	1	
201C	4460509	Socket, Female	4	
201D	4460473	Clamp. Cable	1	
201E	4460466	Seal, Plug	8	
201F	4460464	Pin, Male (16 Gauge)	11	
201G	4460866	Connector - 19 Position	1	
201H	4460508	Pin, Male (12 Gauge)	4	
202	4922576	Harness Assembly - Tower Boom (12/4 - 18/8)	1	
	1060896	Cable, Electrical - 4 #12 AWG, 8 #18 AWG & 1 STP #18 AWG	44ft/13.4m	
202A	4460465	Socket, Female	22	
202B	4460865	Connector - 19 Position	2	
202C	4460509	Socket, Female	8	
202D	4460473	Clamp. Cable	2	
202E	4460466	Seal, Plug	8	
203	4922579	Harness Assembly - Tower Boom (18/2) (800A Only)	1	
	1060902	Cable, Electrical - 18/2	47ft/14.3m	
203A	4460465	Socket, Female	2	
	4460891	Connector, Terminal - 2 Position	1	
204	4922580	Harness Assembly - Main Boom (18/2) (800A Only)	1	
	1060902	Cable, Electrical - 18/2	27ft/8.2m	
204A	4460464	Pin, Male	2	
	4460897	Plug, Terminal - 2 Position	1	
205	4922577	Harness Assembly - Tower Boom (18/2)	1	
206	Not Used			
207		Harness Assembly - Main Boom Options:	1	
	4922215	800A (10/3)		
	4922216	800AJ (10/3)		
	4922773	800A (8/5) (With 7500W Generator) (Sky Power)		
	4922775	800AJ (8/5) (With 7500W Generator) (Sky Power)		
208		Harness Assembly - Tower Boom Options:	1	
	4922217	(10/3)		
	4922774	(8/5) (With 7500W Generator) (Sky Power)		
209	1320256	Clamp, Block (Not Shown-Located on back of T/T)	1	
210	4922581	Harness Assembly (18/2) (800A Only)	1	

SECTION 7 ELECTRICAL

SECTION 7 ELECTRICAL

FIGURE 7-4. HARNESS COMPONENTS INSTALLATION (WITH ADE SYSTEM) (SN 0300064432 TO SN 0300069000)

FIG & ITEM #	PART NUMBER	DESCRIPTION	QTY.	REV.
211	1001094470	Harness, Boom Cable Jumper	1	
211A	1060896	Cable, Electrical - 4 #12 AWG, 8 #18 AWG & 1 STP #18 AWG	1ft/0.3m	
211B	4460465	Socket, Female	11	
211C	4460865	Connector - 19 Position	1	
211D	4460509	Socket, Female	4	
211E	4460473	Clamp. Cable	1	
211F	4460466	Seal, Plug	8	
211G	4460464	Pin, Male (16 Gauge)	8	
211H	4460866	Connector - 19 Position	1	
211J	4460508	Pin, Male (12 Gauge)	4	
211K	4923613	Harness, Tilt Switch	1	
211L	1060978	Cable, Electrical - 18/3	2ft/0.6m	
211M	1001097051	Connector - 4 Position	1	
211N	1001097082	Pin, Male (Gold)	3	
211P	4460464	Pin, Male (16 Gauge)	3	
211Q	4460466	Seal, Plug	1	
211R	1001094400	Tilt Sensor Harness (Boom) (Includes Sensor)	1	C
211S	4461077	Terminal, Plug - 4 Position	1	
	See Note	Socket, Female (Note: Not Available for Purchase.)	3	
212 to 216	Not Used			
217	4922578	Harness Assembly - Limit Switch (18/2)	1	
		GROUND CONTROL BOX DIAGRAMS:	Ref	
	4933232	Deutz Engine	Ref	3/D
	4933233	Ford EFI Engine	Ref	3/D
301	2920129	Bulb, Light	7	
302 to 306	Not Used			
307	2400065	Fuse, 30Amp	1	
308	2400066	Fuse, Holder	1	
309	Not Used			
310	4460708	Receptacle, Female - 15 Position	2	
	4460226	Socket, Female	16	
	4922637	Harness, Jumper (Not Shown)	1	
	4922636	Harness, Jumper (Not Shown)	1	
		GROUND CONTROL BOX COMPONENTS	Ref	
401 to 416	Not Used			
417	3740049	Relay	1	
418 to 425	Not Used			
426	4460426	Connector, Strain Relief	2	
427	4460470	Nut, Terminal	1	
428	4460471	Lockwasher, Terminal	1	
429	Not Used			
430	4460526	Connector, Strain Relief	1	

SECTION 7 ELECTRICAL

FIGURE 7-4. HARNESS COMPONENTS INSTALLATION (WITH ADE SYSTEM) (SN 0300064432 TO SN 0300069000)

FIG & ITEM #	PART NUMBER	DESCRIPTION	QTY.	REV.
431	4460874	Connector (Natural)	1	
432	4460875	Connector (Gray)	1	
433	4460905	Connector, Amp Seal Plug	4	
434 to 436	Not Used			
437		Engine Harness Assembly (Not Shown - See 501 to 566 for Breakdown)		
	4922549	Deutz Engine Machines	1	
	4922550	Ford Engine Machines with EFI	1	
438	4922557	Valve Harness Assembly	1	1/A
438A	4460880	Connector, DIN	19	
438B	4460320	Connector, Female- 2 Position	2	
	4460267	Pin, Male	7	
438C	4460424	Connector, Male- 2 Position	1	
	4460268	Pin, Female	5	
438D	4460871	Socket, Female	AR	
438E	4460326	Connector, Male - 3 Position	1	
	4460267	Pin, Male	7	
438F	4460445	Connector, Female - 3 Position	1	
	4460268	Pin, Female	5	
439		Ground Control Box Harness Assemblies:	1	
	4922638	SN 0300064432 to SN 0300064493	1	4/E
	4922675	SN 0300064493 to SN 0300069000	1	3/C
439A	4460418	Connector, Female- 6 Position	9	
	4460419	Socket, Female	27	
439B	4460876	Connector 35- Position	1	
	4460871	Socket, Female	AR	
	4460905	Seal, Plug	28	
439C	4460866	Connector - 19 Pin	1	
	4460464	Pin, Male Deutsch (16 Gauge)	10	
439D	4460878	Housing, Terminal- 4 Position	1	
	4460887	Terminal (12 Gauge)	3	
439E	4120035	Base, Light	AR	
	4460634	Terminal (16 Gauge)	AR	
439F	4460873	Connector - 35 Position (Black)	1	
	4460871	Socket, Female	AR	
	4460635	Terminal (12 Gauge)	5	
439G	4460871	Socket, Female	AR	
439H	4460434	Plug, Male 15- Position	2	
	4460227	Pin, Male	AR	
439I	3990010	Diode - 6 Amp (Not Shown)	2	
440	4922666	Cable, Analyzer	1	1/A
440A	4460226	Socket, Female	4	
440B	4460761	Connector, Female 4- Position	1	
	4460227	Pin, Male	4	
441		Ground Control Box Wiring Diagram (Not Shown - See Items 301 to 310 for Breakdown)	1	
	4933232	Deutz Engine		
	4933233	Ford Engine with EFI		

SECTION 7 ELECTRICAL

SECTION 7 ELECTRICAL

FIGURE 7-4. HARNESS COMPONENTS INSTALLATION (WITH ADE SYSTEM) (SN 0300064432 TO SN 0300069000)

FIG & ITEM #	PART NUMBER	DESCRIPTION	QTY.	REV.
		ENGINE HARNESS ASSEMBLY	Ref	
	4922549	DEUTZ ENGINE	Ref	3/D
	4922550	FORD ENGINE - LRG425 With EFI	Ref	1/B
501		Harness, Assembly Options:	1	
	4922549	Deutz Engine		
	4922550	Ford Engine - LRG425 With EFI		
502 to 518	Not Used			
519	4460424	Receptacle, Female - 2 Position	1	
520	4460226	Socket, Female	2	
521	4460880	DIN Connector without Diode	AR	
522 to 527	Not Used			
528	4460582	Terminal (Ford Engine Only)	3	
529	4460580	Lock, Terminal (Ford Engine Only)	1	
530	4460579	Housing - 3 Position (Ford Engine Only)	1	
531 to 535	Not Used			
536	4460890	Housing - 2 Position (Deutz Engine Only)	1	
537	4460889	Terminal (Deutz Engine Only)	2	
538	4460460	Connector, Male - 4 Position	1	
539	4460457	Terminal, Female	AR	
540	4460458	Seal, Terminal	AR	
541	4460713	Connector, Housing 42 Position (LRG425 With EFI Only)	1	
542	4460725	Connector Wedge Lock, Center (LRG425 With EFI Only)	1	
543	4460726	Connector Wedge Lock, Side (LRG425 With EFI Only)	2	
544	4460800	Connector, Plug (LRG425 With EFI Only)	32	
545	4460799	Pin, Male (LRG425 With EFI Only)	7	
546 to 547	Not Used			
548	4460728	Pin, Male (LRG425 With EFI Only)	3	
549	Not Used			
550	2400061	Fuse (LRG425 With EFI Only)	2	
551	2400060	Holder, Fuse (LRG425 With EFI Only)	2	
552 to 553	Not Used			
554	4460742	Connector, Male - 2 Position (LRG425 With EFI Only)	1	
555 to 556	Not Used			
557	4460871	Socket, Female	AR	
558 to 700	Not Used			
		STANDARD HARNESS COMPONENTS	Ref	
701 to 702	Not Used			
703	See Note	Pump Harness (Note: Not Available for Purchase.)	1	
703A	7007497	Plug (Pump End)	1	
703B	7007498	Plug (Engine Harness End)	1	
704	See Note	Controller Harness Assembly (Lift and Swing) (Note: Not Available for Purchase.)	1	

SECTION 7 ELECTRICAL

FIGURE 7-4. HARNESS COMPONENTS INSTALLATION (WITH ADE SYSTEM) (SN 0300064432 TO SN 0300069000)

FIG & ITEM #	PART NUMBER	DESCRIPTION	QTY.	REV.
704A	7022819	Plug, Male - 8 Position (Natural)	1	
704B	4460871	Socket, Female	8	
705	See Note	Controller Harness/Circuit Board Assembly (Drive and Steer) (Note: Not Available for Purchase.)	1	
705A	7022825	Plug, Male - 8 Position (Black)	1	
705B	4460871	Socket, Female	7	
706	See Note	Ford Engine Harness (For replacement parts refer to Ford Engine dealer (Ford EFI Engine Machines) (Note: Not Available for Purchase.)	1	
	7022134	Ford Engine Fuel Pump Harness (Not Shown) (Ford EFI Engine Machines)	1	
	7023657	Ford Engine TPS Harness (Not Shown) (Ford EFI Engine Machines)	1	
707	See Note	Dual Fuel Shut-Off Filter Harness (Note: Not Available for Purchase.)	1	
	7023679	Electrical Connector Kit (Includes [1] 2 Position Connector, 2 Pins & 2 Seals)	1	
708	1001093256	Harness, Tilt	Ref	F
708A	2920129	Bulb	1	
	4120035	Socket, Light	1	
708B	4460464	Pin, Male Deutsch (16 Gauge)	4	
708C	4460871	Socket, Female	4	
708D	4460894	Plug, Male - 6 Position	2	
	4460465	Socket, Female	8	
	4460892	Terminal, Buss Connector - 6 Position	2	
708E	4460761	Connector, Female - 4 Position	1	
	4460227	Pin, Male	4	
708F	4460909	Connector - 12 Position (Black)	1	
	4460915	Wedge Lock - 12 Position	1	
	4460928	Socket, Female	6	
708G	4460908	Connector - 12 Position (Gray)	1	
	4460915	Wedge Lock - 12 Position	1	
	4460928	Socket, Female	5	
708H	4460965	Connector, Male - 3 Position	1	
	4460944	Socket, Female (Gold)	3	
708J	4922099	Cable, Can-Buss (Machines with Can Buss Engine Controllers & Caterpillar Engine without Can Buss Engine Controllers)	AR	
	4460965	Connector, Male - 3 Position	1	
	4460944	Socket, Female (Gold)	6	
	4460539	Terminal, Plug - 3 Position	1	
708K	4922099	Cable, Can-Buss (Machines without Can Buss Engine Controllers)	AR	
	4460965	Connector, Male - 3 Position	1	
	4460944	Socket, Female (Gold)	6	
	4460464	Pin, Male Deutsch (16 Gauge)	3	

SECTION 7 ELECTRICAL

SECTION 7 ELECTRICAL

FIGURE 7-4. HARNESS COMPONENTS INSTALLATION (WITH ADE SYSTEM) (SN 0300064432 TO SN 0300069000)

FIG & ITEM #	PART NUMBER	DESCRIPTION	QTY.	REV.
708L	4922099	Cable, Can-Buss (Machines without Can Buss Engine Controllers)	AR	
	4460539	Terminal, Plug - 3 Position	2	
	4460944	Socket, Female (Gold)	6	
708M	4460536	Terminal, Receptacle - 3 Position (Machines without Can Buss Engine Controllers)	1	
709	1001093187	Tilt Sensor Installation	Ref	C
	4460945	Receptacle - 3 Position (3 way Tee)	1	
		OPTIONAL HARNESS COMPONENTS	Ref	
801	4921928	4WS Valve Harness	1	
801A	4460268	Socket, Female	3	
801B	4460445	Connector, Female - 3 Position	1	
801C	4460499	Connector, DIN with Diode	2	
802	4921927	Jib Valve Harness (800AJ Only)	1	
802A	4460326	Plug, Male - 3 Position	1	
802B	4460267	Pin, Male	3	
802C	4460499	Connector, DIN with Diode	2	
803	0257887	Alarm Harness (Includes Alarm)	1	
803A	4460424	Plug, Male - 2 Position	1	
803B	4460268	Socket, Female	2	
804	0255917	Strobe Light Harness (Includes Strobe Light)	1	
804A	4460320	Connector, Female - 2 Position	1	
804B	4460267	Pin, Male	2	
805		AC to Platform Receptacle Components Options:		
	0255382	110V GFI Receptacle (SN 0300064432 to SN 0300065566)	Ref	4
	0272259	110V GFI Receptacle (SN 0300065566 to SN 0300069000)	Ref	1
	0257176	220V GFI Receptacle (SN 0300064432 to SN 0300065566)	Ref	4
	0272260	220V GFI Receptacle (SN 0300065566 to SN 0300069000)	Ref	1
	0272433	With 7500W Generator (Sky Power)	Ref	1
805A	0860038	Box, Switch	1	
805B		Receptacle Options:	1	
	4460346	110V GFI		
	4460125	220V GFI		
805C		Shield, Cover Options:	1	
	4060700	110V GFI		
	4060092	220V GFI		
805D		Plug, Male Options:	2	
	4460205	110V GFI		
	4460233	220V GFI		
	4460959	With 7500W Generator (Sky Power)		

SECTION 7 ELECTRICAL

FIGURE 7-4. HARNESS COMPONENTS INSTALLATION (WITH ADE SYSTEM) (SN 0300064432 TO SN 0300069000)

FIG & ITEM #	PART NUMBER	DESCRIPTION	QTY.	REV.
805E		Connector, Female Options:	1	
	4460134	110V GFI		
	4460701	220V GFI		
	4460960	With 7500W Generator (Sky Power)		
805F	4921801	Harness-Receptacle Box to Boom (SN 0300064432 to SN 0300065566)	1	
	1060494	Cable, Electrical - 12/3	18in/47cm	
805G		Connector Options:	1	
	4460071	SN 0300064432 to SN 0300065566		
	4460051	SN 0300065566 to SN 0300069000		
806		Generator Electrical Components		
	4933215	110V	Ref	1/A
	4933216	220V	Ref	1/A
	3990010	Diode - 6 Amp (Not Shown)	1	
806A	4922641	Harness - On/Off Switch	1	
806B	4922482	Harness - Powermite Control Box to Relay	1	
807	4921829	Generator to Rear of Boom Harness (110V)	1	
	4921955	Generator to Rear of Boom Harness (220V)	1	
		Note: Harness used to connect AC at platform harness to generator receptacle to power platform receptacle.	Ref	
	1060494	Cable, Electrical - 12/3	6ft/1.8m	
807A	4460205	Plug, Male (110V)	1	
	4460233	Plug, Male (220V)	1	
807B	4460134	Receptacle, Female (110V)	1	
	4460701	Receptacle, Female (220V)	1	
808	See Note	Lights Harness (Note: Not Available for Purchase.)	1	
	1060341	Cable, Electrical - 16/2	48ft/14.6m	
808A	3740049	Relay	1	
808B	4922643	Harness, Bag (Located at Ground Control Box) (Not Shown)	1	
809	2920140	Platform Worklights Harness (External) (Includes Light and Wire Only)	2	
	2820035	Loom, Vinyl	9ft/2.8m	
809A	4460598	Connector, Strain Relief	1	
809B	4360232	Circuit Breaker, 15Amp	1	
809C	4922498	Platform Worklights Harness (Internal)	1	
809D	4460871	Socket, Female	3	
810	See Note	Soft-Touch System Harness (Note: Not Available for Purchase.)	1	
810A	1060341	Cable, Electrical - 16/3	16ft/4.9m	
810B	4460425	Connector, Strain Relief	1	

SECTION 7 ELECTRICAL

SECTION 7 ELECTRICAL

FIGURE 7-4. HARNESS COMPONENTS INSTALLATION (WITH ADE SYSTEM) (SN 0300064432 TO SN 0300069000)

FIG & ITEM #	PART NUMBER	DESCRIPTION	QTY.	REV.
		TOOLS	Ref	
901	7002821	Crimper (For Wire to Pin/Socket Connections)	1	
902	7002823	Extractor (For Removal of Pin/Socket from Connectors)	1	
903	4460467	Extractor, Pin (Blue 16-18 Gauge) (For Removal of Pin/Socket from Connectors)	1	
	4460510	Extractor, Pin (Yellow 12-14 Gauge) (For Removal of Pin/Socket from Connectors)	1	
904	7002828	Stripper, Wire	1	
905	2901443	Analyzer Kit (Not Shown)	1	

SECTION 7 ELECTRICAL

SECTION 8 DECALS

TABLE OF CONTENTS		
FIGURE	DESCRIPTION	PAGE
8-1	DECALS INSTALLATION - STANDARD	8-2
8-2	DECALS INSTALLATION - COUNTRY SPEC	8-6

**S
E
C
T
I
O
N

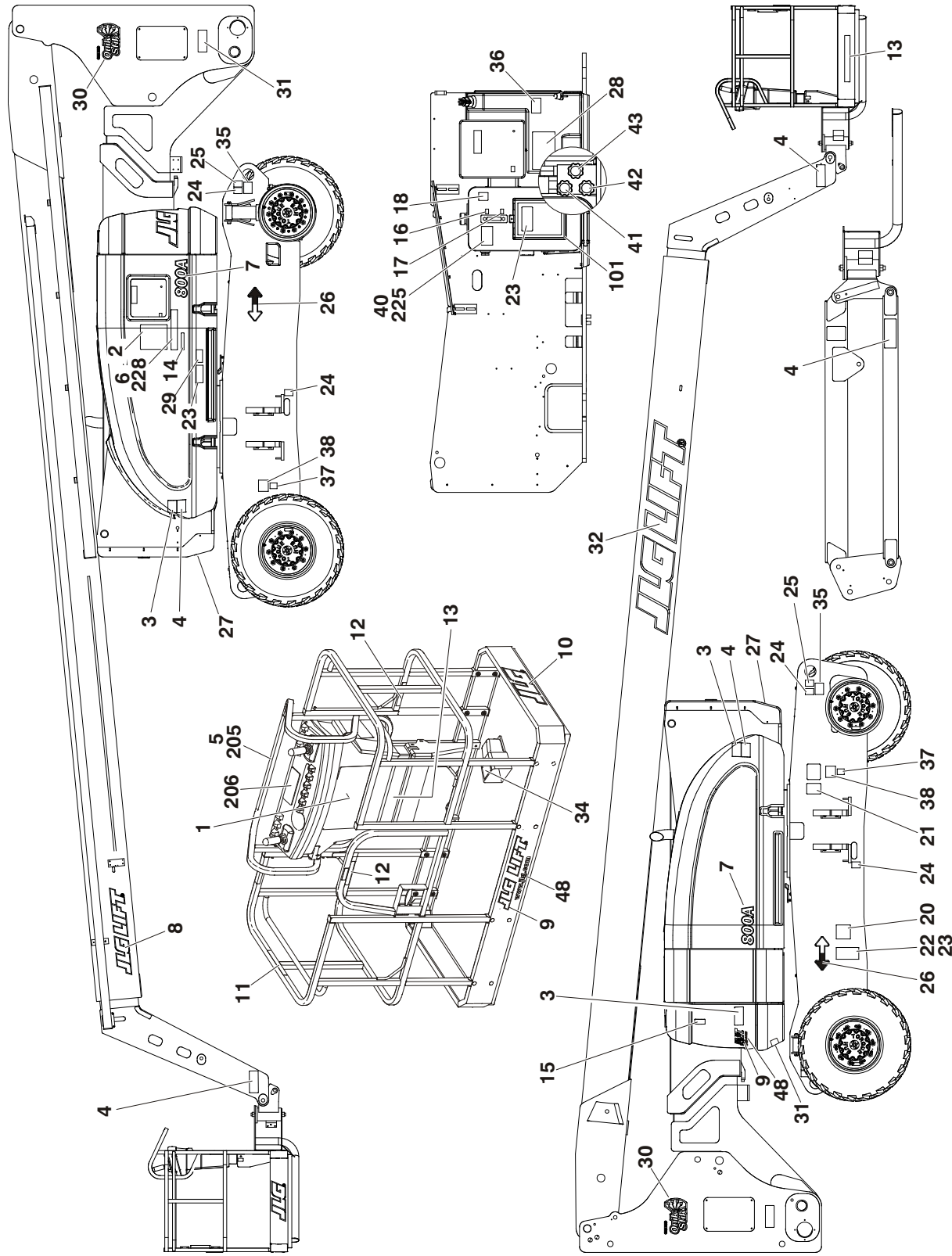
8

D
E
C
A
L
S**

SECTION 8 DECALS

FIGURE 8-1.DECALS INSTALLATION - STANDARD

PLACED 8 NO-TOWERS



SECTION 8 DECALS

FIGURE 8-1. DECALS INSTALLATION - STANDARD

FIG & ITEM #	PART NUMBER	DESCRIPTION	QTY.	REV.
		STANDARD DECAL INSTALLATIONS	Ref	
	0271038	JLG Logo	Ref	1
	0258513	800A	Ref	8
	0258514	800AJ	Ref	8
	0258706	MANUAL DESCENT DECALS INSTALLATION	Ref	1
1	1703797	Decal - Danger/Warning	1	
2	1703798	Decal - Danger/Warning	1	
3	1703805	Decal - Danger/Electrocution	2	
4	1703804	Decal - Warning/Crushing	4	
5	Use 1707110	Decal - Legend (was p/n 1702784)	1	
6	Use 1001095809	Decal - Legend (was p/n 1703808)	1	
7		Decal - Model Options:	2	
	1703772	800A		
	1703773	800AJ		
8	1702860	Decal - JLG Lift (5in)	2	
9	1702774	Decal - JLG Lift (3-1/2in)	2	
10	1702773	Decal - JLG (5in)	2	
11	1702868	Decal - - No Hands	2	
12		Decal - Attach Lanyard Here Options:	4	
	1702612	Prior to SN 0300061062		
	1704277	SN 0300061062 to SN 0300069000		
13		Decal - 500LBS Max Capacity Options:	2	
	1704096	800A		
	1701645	800AJ		
14		Decal - 500LBS Max Capacity Options:	1	
	1704104	800A		
	1702688	800AJ		
15	3251813	Decal - USA	1	
16	1701502	Decal - High Oil Level	1	
17	1701503	Decal - Low Oil Level	1	
18	1701504	Decal - Hydraulic Oil	1	
19	1702153	Decal - Inspection	1	
20	See Note	Decal - Bar Code (Note: Not Available for Purchase.)	1	
21	1700584	Decal - Patent	1	
22	See Note	Nameplate - Serial Number (Note: Not Available for Purchase.)	1	
23	1701509	Decal - Manual	1	
24	1702300	Decal - Tie Down /Lift	4	
25	1701500	Decal - Tie Down /Lift	4	
26	1701501	Decal - Arrow	4	
27		Nameplate - 120V-60Hz	1	
	3251243	110V		
	3252507	220V		
28	1703954	Decal - Manual Descent	1	
29	1702901	Decal - Manual Descent Instructions Inside	1	
30	1703959	Decal - Quik Stik	2	

SECTION 8 DECALS

SECTION 8 DECALS

FIGURE 8-1. DECALS INSTALLATION - STANDARD (CONTINUED)

FIG & ITEM #	PART NUMBER	DESCRIPTION	QTY.	REV.
31	1703953	Decal - Warning/Crushing	3	
32	1702862	Decal - JLG Lift	1	
33	3820001	Rivet	4	
34	3252347	Decal - Footswitch (Part of 4360031 Footswitch)	1	
35	1703960	Decal - Max Tire Load	4	
36		Decal - Fuel	1	
	1701542	Ford Engine Machines		
	1701505	Deutz Engine Machines		
37		Decal - LPG Gas	AR	
	Not Required	Non-Dual Fuel Machines	0	
	1701543	Dual Fuel Machines	1	
38		Decal - LP Gas Liquid Withdrawal System	AR	
	Not Required	Non-Dual Fuel Machines	0	
	1700818	Dual Fuel Machines	1	
39	Not Used			
40	Use 1001096141	Decal - Upright Level Override (was p/n 1702265)	1	
41	1702903	Decal - Knob #1	1	
42	1702927	Decal - Knob #2	1	
43	1702924	Decal - Knob #3	1	
44 to 47	Not Used			
48	1704885	Decal - Website (SN 0300067900 to SN 0300069000)	2	
	0258671	MANUAL STORAGE BOX INSTALLATION	Ref	A
101	0860520	Box, Manual Storage	1	
	1060279	Cable, Lanyard	1	
	0641408	Bolt 1/4in-20NC x 1in	1	
	0641406	Bolt 1/4in-20NC x 3/4in	1	
	4751400	Flatwasher 1/4in	6	
	3311405	Locknut 1/4in-20NC	5	
	0100011	Compound, Locking	AR	
		TILT SENSOR INSTALLATION OPTIONS:	Ref	
	1001091538	PRE ADE SYSTEM	Ref	E
	1001093187	ADE SYSTEM	Ref	C
201 to 204	Not Used			
205	1707110	Decal - Legend (Platform)	1	
206	1707111	Decal - Platform Display	1	
207 to 224	Not Used			
225	1001096141	Decal - Upright Level Over Ride	1	
226 to 227	Not Used			
228	1001095809	Decal - Legend (MTB Control)	1	

SECTION 8 DECALS

SECTION 8 DECALS

FIGURE 8-1. DECALS INSTALLATION - STANDARD (CONTINUED)

FIG & ITEM #	PART NUMBER	DESCRIPTION	QTY.	REV.

**S
E
C
T
I
O
N

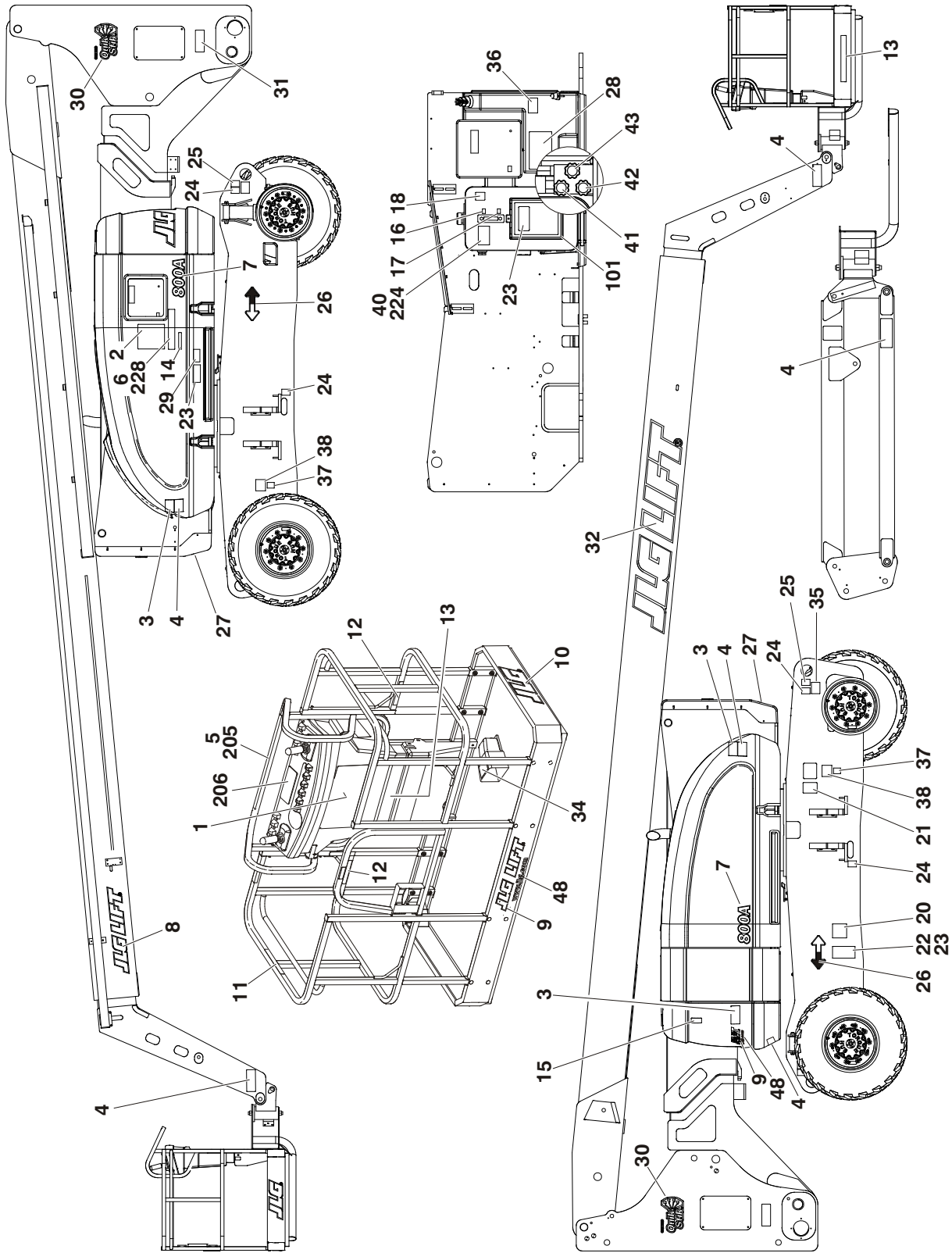
8

D
E
C
A
L
S**

SECTION 8 DECALS

FIGURE 8-2.DECALS INSTALLATION - COUNTRY SPEC

S I G N A L S 8 8 N O I - T O M E S



SECTION 8 DECALS

FIGURE 8-2. DECALS INSTALLATION - COUNTRY SPEC

FIG & ITEM #	PART NUMBER	DESCRIPTION	QTY.	REV.
		DECAL INSTALLATIONS	Ref	
	0271038	JLG Logo	Ref	1
	0258537	800A Dual Language English/Chinese Decals	Ref	5
	0258535	800A Dual Language English/French Decals	Ref	6
	0258533	800A Dual Language English/Spanish Decals	Ref	5
	0258539	800A Dual Language Portuguese/Spanish Decals	Ref	6
	0258529	800A Japanese Decals	Ref	5
	0258531	800A Korean Decals	Ref	5
	0258538	800AJ Dual Language Chinese/English Decals	Ref	5
	0258536	800AJ Dual Language English/French Decals	Ref	6
	0258534	800AJ Dual Language English/Spanish Decals	Ref	5
	0258540	800AJ Dual Language Portuguese/Spanish Decals	Ref	6
	0258530	800AJ Japanese Decals	Ref	5
	0258532	800AJ Korean Decals	Ref	5
1		Decal - Danger/Warning Options:	1	
	1703925	Dual Language English/Chinese Decals		
	1703924	Dual Language English/French Decals		
	1703923	Dual Language English/Spanish Decals		
	1703928	Dual Language Portuguese/Spanish Decals		
	1703926	Japanese Decals		
	1703927	Korean Decals		
2		Decal - Danger/Warning Options:	1	
	1703931	Dual Language English/Chinese Decals		
	1703930	Dual Language English/French Decals		
	1703929	Dual Language English/Spanish Decals		
	1703934	Dual Language Portuguese/Spanish Decals		
	1703932	Japanese Decals		
	1703933	Korean Decals		
3		Decal - Danger/Electrocution Options:	3	
	1703937	Dual Language English/Chinese Decals		
	1703936	Dual Language English/French Decals		
	1703935	Dual Language English/Spanish Decals		
	1703940	Dual Language Portuguese/Spanish Decals		
	1703938	Japanese Decals		
	1703939	Korean Decals		
4		Decal - Warning/Crushing Options:	5	
	1703949	Dual Language English/Chinese Decals		
	1703948	Dual Language English/French Decals		
	1703947	Dual Language English/Spanish Decals		
	1703952	Dual Language Portuguese/Spanish Decals		
	1703950	Japanese Decals		
	1703951	Korean Decals		

SECTION 8 DECALS

SECTION 8 DECALS

FIGURE 8-2. DECALS INSTALLATION - COUNTRY SPEC (CONTINUED)

FIG & ITEM #	PART NUMBER	DESCRIPTION	QTY.	REV.
5		Decal - Legend Options:	1	
	Not Required	Dual Language English/Chinese Decals		
	Use 1707110	Dual Language English/French Decals (was p/n 1702784)		
	Use 1707110	Dual Language English/Spanish Decals (was p/n 1702784)		
	Not Required	Dual Language Portuguese/Spanish Decals		
6	Not Required	Japanese Decals	1	
	Not Required	Korean Decals		
	Decal - Legend Options:	Dual Language English/Chinese Decals		
	Use 1001095809	Dual Language English/French Decals (was p/n 1703808)		
	Use 1001095809	Dual Language English/Spanish Decals (was p/n 1703808)		
7	Not Required	Dual Language Portuguese/Spanish Decals	2	
	Not Required	Japanese Decals		
	Not Required	Korean Decals		
8	1703772	Decal - Model Options: 800A	2	
	1703773	800AJ		
9	1702860	Decal - JLG Lift (5in)	1	
10	1702774	Decal - JLG Lift (3-1/2in)	2	
11	1702773	Decal - JLG (5in)	2	
11		Decal - No Hands Options:	2	
	Not Required	Dual Language English/Chinese Decals		
	1704000	Dual Language English/French Decals		
	1704001	Dual Language English/Spanish Decals		
	1704002	Dual Language Portuguese/Spanish Decals		
	Not Required	Japanese Decals		
12	Not Required	Korean Decals	4	
	Decal - Attach Lanyard Here Options:	Dual Language English/Chinese Decals		
	1704277	Dual Language English/French Decals Options: Prior to SN 0300061062		
	1704003	SN 0300061062 to SN 0300069000		
	1704277	Dual Language English/Spanish Decals Options: Prior to SN 0300061062		
	1704004	SN 0300061062 to SN 0300069000		
	1704277	Dual Language Portuguese/Spanish Decals Options:		
	1704005	Prior to SN 0300061062		
	1704277	SN 0300061062 to SN 0300069000		
	1704277	Japanese Decals		
	1704277	Korean Decals		

SECTION 8 DECALS

SECTION 8 DECALS

FIGURE 8-2. DECALS INSTALLATION - COUNTRY SPEC (CONTINUED)

FIG & ITEM #	PART NUMBER	DESCRIPTION	QTY.	REV.
13		Decal - 500LBS Max Capacity Options:	2	
	1704101	800A Dual Language English/Chinese Decals		
	1703996	800AJ Dual Language English/Chinese Decals		
	1704099	800A Dual Language English/French Decals		
	1703996	800AJ Dual Language English/French Decals		
	1704098	800A Dual Language English/Spanish Decals		
	1703996	800AJ Dual Language English/Spanish Decals		
	1704100	800A Dual Language Portuguese/Spanish Decals		
	1703996	800AJ Dual Language Portuguese/Spanish Decals		
	1704102	800A Japanese Decals		
	1703996	800AJ Japanese Decals		
	1704103	800A Korean Decals		
	1703996	800AJ Korean Decals		
14		Decal - 500LBS Max Capacity Options:	1	
	1704109	800A Dual Language English/Chinese Decals		
	1704112	800AJ Dual Language English/Chinese Decals		
	1704107	800A Dual Language English/French Decals		
	1704112	800AJ Dual Language English/French Decals		
	1704106	800A Dual Language English/Spanish Decals		
	1704112	800AJ Dual Language English/Spanish Decals		
	1704108	800A Dual Language Portuguese/Spanish Decals		
	1704112	800AJ Dual Language Portuguese/Spanish Decals		
	1704110	800A Japanese Decals		
	1704112	800AJ Japanese Decals		
	1704111	800A Korean Decals		
	1704112	800AJ Korean Decals		
15		Decal - USA Options:	1	
	Not Required	Dual Language English/Chinese Decals		
	3251813	Dual Language English/French Decals		
	3251813	Dual Language English/Spanish Decals		
	3251813	Dual Language Portuguese/Spanish Decals		
	Not Required	Japanese Decals		
	Not Required	Korean Decals		
16	1701502	Decal - High Oil Level	1	
17	1701503	Decal - Low Oil Level	1	
18	1701504	Decal - Hydraulic Oil	1	
19		Decal - Inspection Options:	1	
	Not Required	Dual Language English/Chinese Decals		
	1704006	Dual Language English/French Decals		
	1704007	Dual Language English/Spanish Decals		
	1704008	Dual Language Portuguese/Spanish Decals		
	Not Required	Japanese Decals		
	Not Required	Korean Decals		
20	See Note	Decal - Bar Code (Note: Not Available for Purchase.)	1	
21	1700584	Decal - Patent	1	
22	See Note	Nameplate - Serial Number (Note: Not Available for Purchase.)	1	

SECTION 8 DECALS

SECTION 8 DECALS

FIGURE 8-2. DECALS INSTALLATION - COUNTRY SPEC (CONTINUED)

FIG & ITEM #	PART NUMBER	DESCRIPTION	QTY.	REV.
23	1701509	Decal - Manual	1	
24	1702300	Decal - Tie Down /Lift	6	
25	1701500	Decal - Tie Down /Lift	4	
26	1701501	Decal- Arrow	4	
27		Nameplate - 110V/220V Options:	1	
	Not Required	110V - Dual Language English/Chinese Decals		
	3251243	110V - Dual Language English/French Decals		
	3251243	110V - Dual Language English/Spanish Decals		
	3251243	110V - Dual Language Portuguese/Spanish Decals		
	Not Required	110V - Japanese Decals		
	Not Required	110V - Korean Decals		
	3252507	220V - All Specs		
28		Decal - Manual Descent Options:	1	
	1703965	Dual Language English/Chinese Decals		
	1703964	Dual Language English/French Decals		
	1703963	Dual Language English/Spanish Decals		
	1703968	Dual Language Portuguese/Spanish Decals		
	1703966	Japanese Decals		
	1703967	Korean Decals		
29		Decal - Manual Descent Instructions Inside Options:	1	
	1704121	Dual Language English/Chinese Decals		
	1704116	Dual Language English/French Decals		
	1704117	Dual Language English/Spanish Decals		
	1704118	Dual Language Portuguese/Spanish Decals		
	1704119	Japanese Decals		
	1704120	Korean Decals		
30	1703959	Decal - Quik Stik	2	
31		Decal - Warning/Crushing Options:	3	
	1703943	Dual Language English/Chinese Decals		
	1703942	Dual Language English/French Decals		
	1703941	Dual Language English/Spanish Decals		
	1703946	Dual Language Portuguese/Spanish Decals		
	1703944	Japanese Decals		
	1703945	Korean Decals		
32	1702862	Decal - JLG Lift	1	
33	3820001	Rivet	8	
34		Decal - Footswitch Options:	1	
	1703982	Dual Language English/Chinese Decals		
	1703984	Dual Language English/French Decals		
	1703983	Dual Language English/Spanish Decals		
	1703985	Dual Language Portuguese/Spanish Decals		
	1703980	Japanese Decals		
	1703981	Korean Decals		

SECTION 8 DECALS

FIGURE 8-2. DECALS INSTALLATION - COUNTRY SPEC (CONTINUED)

FIG & ITEM #	PART NUMBER	DESCRIPTION	QTY.	REV.
35		Decal - Maximum Tire Load Options:	1	
	Not Required	Dual Language English/Chinese Decals		
	Not Required	Dual Language English/French Decals		
	Not Required	Dual Language English/Spanish Decals		
	Not Required	Dual Language Portuguese/Spanish Decals		
	1703960	Japanese Decals		
	1703960	Korean Decals		
36		Decal - Fuel	1	
	1701542	Ford Engine Machines		
	1701505	Deutz Engine Machines		
37		Decal - LPG Gas	AR	
	Not Required	Non-Dual Fuel Machines	0	
	1701543	Dual Fuel Machines	1	
38		Decal - LP Gas Liquid Withdrawal System	AR	
	Not Required	Non-Dual Fuel Machines	0	
	1704271	Dual Language English/French Decals	1	
	1700818	Dual Fuel Machines except Portuguese/Spanish Decals	1	
	1702720	Dual Fuel Machines with Portuguese/Spanish Decals	1	
39	Not Used			
40		Decal - Upright Level Override Options:	1	
	Use 1705977	Dual Language English/Chinese Decals (was p/n 1703988)		
	Use 1705977	Dual Language English/French Decals (was p/n 1703990)		
	Use 1705977	Dual Language English/Spanish Decals (was p/n 1703989)		
	Use 1705977	Dual Language Portuguese/Spanish Decals (was p/n 1703991)		
	Use 1705977	Japanese Decals (was p/n 1703986)		
	Use 1705977	Korean Decals (was p/n 1703987)		
41	1702903	Decal - Knob #1	1	
42	1702927	Decal - Knob #2	1	
43	1702924	Decal - Knob #3	1	
44 to 47	Not Used			
48	1704885	Decal - Website (SN 0300067900 to SN 0300069000)	2	
	0258671	MANUAL STORAGE BOX INSTALLATION	Ref	A
101	0860520	Box, Manual Storage	1	
	1060279	Cable, Lanyard	1	
	0641408	Bolt 1/4in-20NC x 1in	1	
	0641406	Bolt 1/4in-20NC x 3/4in	1	
	4751400	Flatwasher 1/4in	6	
	3311405	Locknut 1/4in-20NC	5	
	0100011	Compound, Locking	AR	

SECTION 8 DECALS

SECTION 8 DECALS

FIGURE 8-2. DECALS INSTALLATION - COUNTRY SPEC (CONTINUED)

FIG & ITEM #	PART NUMBER	DESCRIPTION	QTY.	REV.
		TILT SENSOR INSTALLATION OPTIONS:	Ref	
	1001091538	PRE ADE SYSTEM	Ref	E
	1001093187	ADE SYSTEM	Ref	C
201 to 204	Not Used			
205	1707110	Decal - Legend (Platform)	1	
206	1707111	Decal - Platform Display	1	
207 to 223	Not Used			
224	1705977	Decal - Upright Level Over Ride	1	
225 to 227	Not Used			
228	1001095809	Decal - Legend (MTB Control)	1	

SECTION 8 DECALS

SECTION 9 RECOMMENDED SERVICE PARTS STOCK

MODELS 800A/800AJ

The following list will service fleets of machines (built to current production per date on the front cover) with emergency repair parts which can be installed in the field. Parts from the list should be replaced when inventory is depleted to keep service parts stock supplied. For further information, contact your JLG dealer or the JLG Industries Parts Department.

JLG PART NUMBER	DESCRIPTION	QTY PER FLEET		
		1-10	10-20	20 OR MORE
STANDARD PARTS		Ref	Ref	Ref
2120168	Element, Filter (Figure 2-1)	4	8	12
2120150	Element Filter (Figure 2-1)	4	8	12
7012944	Coil (Figure 2-1 & 2-2)	1	1	1
7018991	Coil (Figure 2-2)	1	1	1
7012772	Coil (Figure 2-2 & 2-3)	1	1	1
7012943	Coil (Figure 2-2)	1	1	1
7012664	Element, Air Cleaner (Figures 2-10, 2-13 & 2-17)	1 Dozen	1 Dozen	1 Dozen
3740067	Relay (Figures 2-10, 2-13 & 2-17)	1	1	1
4360294	Breaker, Circuit (Figures 2-10, 2-11, 2-13, 2-16 & 2-17)	1	1	1
7014817	Breather, Hydraulic Tank (Figure 2-19)	1	2	3
4360475	Switch, Mushroom (Figures 2-22 & 4-5)	1	1	1
4360469	Switch, Key (Figure 2-22)	1	1	1
2860030	Key, Replacement (Figure 2-22)	1	1	1
4360476	Contact, Switch Block (Figures 2-22 & 4-5)	1	1	1
3740049	Relay (Figure 2-22)	1	1	1
2940074	Latch (Figure 4-1 & 4-2)	1	1	1
1001129555	Controller (Lift and Swing) (Figure 4-5 & 4-7)	1	1	1
1001118416	Controller (Drive and Steer) (Figure 4-5 & 4-9)	1	1	1
4360387	Switch, Push Button (Figure 4-5 & 4-10)	1	1	1
4360407	Controller, Speed (Figure 4-5)	1	1	1
4360331	Switch, Toggle (Figure 4-2 & 4-5)	1	1	1
4360232	Breaker, Circuit (Figure 4-5)	1	1	1
3990010	Diode (Figure 7-4)	2	2	2
VARIABLE PARTS		Ref	Ref	Ref
7016331	Filter, Oil (Deutz Engine Machines) (Figure 2-10)	1 Dozen	1 Dozen	1 Dozen
7016328	Filter, Fuel (Deutz Engine Machines) (Figure 2-10)	1 Dozen	1 Dozen	1 Dozen
1660234	Coupling, Pump (Deutz Engine Machines) (Figure 2-10)	1	1	1
7021868	Filter, Oil (Ford Engine Machines) (Figure 2-13)	1 Dozen	1 Dozen	1 Dozen
1660250	Coupling, Pump (Ford Engine Machines) (Figure 2-13)	1	1	1
1600314	Controller, ECM (Ford Engine Machines) (Figure 2-13)	1	1	1
91083218	Filter, Fuel (Ford Engine Machines) (Figure 2-13)	1 Dozen	1 Dozen	1 Dozen
7023634	Filter, Oil (Isuzu Engine Machines) (Figure 2-17)	1 Dozen	1 Dozen	1 Dozen
7023641	Filter, Fuel (Isuzu Engine Machines) (Figure 2-17)	1 Dozen	1 Dozen	1 Dozen
1660239	Coupling, Pump (Isuzu Engine Machines) (Figure 2-17)	1	1	1
3740080	Relay (Machines with Generator Option) (Figures 2-11, 2-13 & 2-16)	1	1	1
4360336	Switch, Toggle (Machines with Generator Option) (Figures 2-11 & 2-16)	1	1	1

SECTION 9 RECOMMENDED SERVICE PARTS

MODELS 800A/800AJ

The following list will service fleets of machines (built to current production per date on the front cover) with emergency repair parts which can be installed in the field. Parts from the list should be replaced when inventory is depleted to keep service parts stock supplied. For further information, contact your JLG dealer or the JLG Industries Parts Department.

JLG PART NUMBER	DESCRIPTION	QTY PER FLEET		
		1-10	10-20	20 OR MORE
4360336	Switch, Toggle (Machines with Dual Fuel Option) (Figure 2-15 & 4-5)	1	1	1
1001094484	Controller, UMS Module (Figure 2-22)	1	1	1
7016522	Powertrack Repair Section (Gemco Brand) (Figure 3-4)	1	1	1
7006137	Powertrack Pin Kit (Gemco Brand) (Figure 3-4)	24	24	24
70002013	Powertrack Repair Section (Gortrac Brand) (Figure 3-4)	1	1	1
1001094400	Sensor, Dual Axis (Figure 3-7)	1	1	1
4360387	Switch, Push Button (Figure 4-10)	1	1	1

SECTION 10 SPECIAL OPTIONS

Note: This list is to accommodate machines ordered with special equipment. Options may not be applicable to all models. For more specific parts information contact JLG Parts Department.

FIG & ITEM #	PART NUMBER	DESCRIPTION	QTY.	REV.
10-1		MISCELLANEOUS SPECIAL OPTIONS	Ref	
		Airline to Platform Installation Options:	Ref	
	0258802	1/2in 800A	Ref	
	0258805	1/2in 800AJ	Ref	
		Bellows Installation Options:	Ref	
	0258734	Boom 800A	Ref	
	0258737	Boom 800AJ	Ref	
	0258757	Chassis (Fixed Axle 2WS)	Ref	
	0258759	Chassis (Fixed Axle 4WS)	Ref	
	0258387	Chassis (Oscillating Axle 2WS)	Ref	
	0258758	Chassis (Oscillating Axle 4WS)	Ref	
	0258654	Boom Wipers Installation	Ref	
	0256789	Camera Mount Assembly	Ref	
		ClearSky Telematics Kits	Ref	
	1001102841	ANSI Spec	Ref	
	1001102842	ANSI Export/CE/Japanese Specs	Ref	
	1001139132	Australian Spec	Ref	
	1001104985	CSA Spec	Ref	
		Note: Refer to ClearSky (Telematics) Manual p/n 3128499 for Service Parts.	Ref	
		Cold Weather Package Installation Options:	Ref	
	0256060	Deutz without Glow Plugs	Ref	
	0258927	Deutz with Glow Plugs	Ref	
	0255386	Ford	Ref	
		Decal Installations Options:	Ref	
	1702788	Decal - Biodegradable Hydraulic Fluid (All except German Spec)	1	
	1703479	Decal - Biodegradable Hydraulic Fluid (German Spec Only)	1	
	3252221	Decal - CSA (CSA Spec)	1	
	1703175	Decal - Lanyard Attach (GM K-1 Spec)	1	
	1702962	Decal - Prop 65 Warning (Diesel Machines) (California Spec)	1	
	1702961	Decal - Prop 65 Warning (Gasoline Machines) (California Spec)	1	
	0257195	Government Warranty Decal Installation	Ref	
	0271112	Sunbelt Decals Installation	Ref	
	0270959	United Decals Installation	Ref	
	0258541/1282946	Warning Stripes Installation	Ref	

SECTION 10 SPECIAL OPTIONS

SECTION 10 SPECIAL OPTIONS

Note: This list is to accommodate machines ordered with special equipment. Options may not be applicable to all models. For more specific parts information contact JLG Parts Department.

SECTION 10 SPECIAL OPTIONS

FIG & ITEM #	PART NUMBER	DESCRIPTION	QTY.	REV.
	2902396	Drive/Steer Cutout Kit	Ref	
		Electrical Connector Kits	Ref	
	1001148902	Amp/Tyco Electrical Connector Kit	Ref	
	1001148903	Deutsch DT Electrical Connector Kit	Ref	
	1001148904	Deutsch HD Electrical Connector Kit	Ref	
	1001148905	Packard Electrical Connector Kit	Ref	
	1001148906	Various Electrical Connectors Kit	Ref	
	0258696	Engine Block Heater Installation (Ford Engine Machines)	Ref	
	1340061	Engine Air Cleaner Pre-Cleaner Installation	Ref	
	0257157	Ether Start Installation (Deutz Engine Machines)	Ref	
		Filter Kits:	Ref	
		Combined Filter Kit (Hydraulic/Air & Fuel/Engine Oil):	Ref	
	2910467	Deutz Engine Machines (was p/n 2910926) Ford LRG-425 Non-UL Engine Machines	1	
	2910465	Prior to SN 0300048538	1	
	1001114116	SN 0300048538 to SN 0300069000 (was p/n 2910466)	1	
	1001109693	Hydraulic/Air Filter (was p/n 2910925)	1	
	1001110133	Deutz Engine - Fuel/Engine Oil Filter	1	
	4060959	Footswitch Shield (Note: Move Decal to Shield)	Ref	
	0258928	Glow Plugs Installation (Deutz Engine Machines)	Ref	
	1001148971	Lanyard (Bolt-On) Kit Installation	Ref	
		Oil Cooler Installations	Ref	
	0256762/1282665	Deutz Engine Machines	Ref	
	0256777/1282663	Ford Engine Machines (Prior to SN 0300067076)	Ref	
	0272040/1283309	Ford Engine Machines (SN 0300067076 to SN 0300069000)	Ref	
	0270712	Oil Pressure & Oil Temperature Installation	Ref	
	0270723	Platform Beacon Light Installation	Ref	
	0255398	Platform Console Cover Installation	Ref	

SECTION 10 SPECIAL OPTIONS

Note: This list is to accommodate machines ordered with special equipment. Options may not be applicable to all models. For more specific parts information contact JLG Parts Department.

FIG & ITEM #	PART NUMBER	DESCRIPTION	QTY.	REV.
		Platform Entry Kits	Ref	
	1001142504	Drop Bar (Replacing Swing Gate with Drop Bar)	Ref	
	1001142505	Swing Gate (Replacing Drop Bar with Swing Gate)	Ref	
		Platform, Top Rail Extension (CSA Spec)	Ref	
	0270511	3ft x 6ft Platforms	Ref	
	0271771	3ft x 8ft Platforms	Ref	
		Sky Accessory:	Ref	
	1001101422	Skyglazier - ANSI, CSA & Australian Specs (was p/n 0272395)	Ref	
	0272418	Decal - Skyglazier	Ref	
	0272255	Sky Power - 7500W 60Hz	Ref	
	0272435	Decal - Sky Power	Ref	
	0272590	Plasma Cutter (Skycutter)	Ref	
	0272599	Decal - Skycutter	Ref	
	0272254	Welder - Stick, 250A	Ref	
	0272448	Decal - Sky Welder	Ref	
		Note: For Breakdown of Sky Accessories Refer to Accessory Manual p/n 3124242	Ref	
		SkyGuard Component Options:	Ref	
	1001149560	SkyGuard Complete Add-On Kit (Non-UGM Machines)	Ref	
	1001143256	SkyGuard Blue Beacon Kit	Ref	
		Tire Sealant Installation	Ref	
	1300019	Sealant	AR	
	0272312	Decal - Tire Sealant	1	
		Tools for Service	Ref	
	7002840	Antirotation Pin Removal Tool	1	
	8896941	Wire Stripper	1	
	7002821	Wire Crimper (To install wire ends to wires)	1	
	7002823	Pin/Socket Extractor - Universal (To Remove Pins/Sockets from Connectors)	1	
	4460467	Extractor - 16-18 Gauge (For Removal of Pin/Sockets from Deutsch Connectors)	1	
	4460510	Extractor - 12-14 Gauge (For Removal of Pin/Sockets from Deutsch Connectors)	1	
	7002822	Screwdriver, Potentiometer (To Adjust Drive Controllers)	1	
	7016654	Screwdriver, Magnetic	1	
	7004275	Seal Installation Tool - 1in	1	
	7004276	Seal Installation Tool - 1-1/2in	1	
	7002826	Seal Installation Tool - 2in	1	
	7016655	Wire Rope Sheave Gauge	1	
	7016652	Huck Bolt Fastener (For Small Huck Bolts Only)	1	

SECTION 10 SPECIAL OPTIONS

Note: This list is to accommodate machines ordered with special equipment. Options may not be applicable to all models. For more specific parts information contact JLG Parts Department.

SECTION 10 SPECIAL OPTIONS

FIG & ITEM #	PART NUMBER	DESCRIPTION	QTY.	REV.
	Continued	Tools for Service	Ref	
	4921850	Throttle Service Harness	1	
	4922012	Horsepower Card Service Harness	1	
	70000017	ADE Software CD	1	
	1001137005	Software Cable Kit	1	
	0257728	Tube Rack Installation	Ref	
		Weld Leads to Platform Installation Options:	Ref	
	0258826	800A	Ref	
	0258827	800AJ	Ref	

SECTION 11 PART NUMBER INDEX

Part Number	Page	Part Number	Page	Part Number	Page	Part Number	Page
0060031	3-7, 3-19	0181727	2-31, 2-44, 2-50, 2-69	0258334	1-10	0258909	1-4
0060033	2-32, 2-69, 7-13			0258338	3-26	0258910	1-9, 1-21
0060041	3-4, 3-19	0181949	2-58, 2-62	0258343	1-21	0258927	10-1
0060066	3-7, 3-23	0200530	2-40	0258382	2-79	0258928	10-2
0060069	3-3, 3-23	0200547	2-66	0258387	10-1	0258929	2-69
0060077	3-4, 3-19	0200550	4-40	0258390	2-47, 2-54	0258930	2-44
0080091	2-44	0200741	2-40	0258391	2-47, 2-54	0258931	2-43
0080124	2-57	0200742	2-40	0258396	1-10	0258932	2-72
0080163	2-36	0239585	2-14	0258397	1-10	0258945	4-13, 4-19, 4-24
0080181	2-69	0254798	2-13	0258398	1-10	0259055	2-13
0080201	2-45, 2-51, 2-69	0255262	2-83	0258399	1-10	0259147	2-17
0080214	2-44, 2-50	0255294	2-83	0258402	2-43	0259198	2-71, 7-13
0080230	2-69	0255316	2-14, 2-17	0258403	2-44	0259420	3-12
0080241	2-95	0255382	7-15, 7-24, 7-34	0258407	2-13	0259476	2-49
0100009	2-87, 4-12, 4-18, 4-21	0255386	10-1	0258410	2-4	0259477	2-50
		0255398	10-2	0258415	2-31	0259478	2-49
0100011	1-3, 1-4, 1-11, 1-21, 2-4, 2-5, 2-13, 2-17, 2-32, 2-40, 2-43, 2-45, 2-49, 2-51, 2-66, 2-70, 2-79, 2-83, 2-86, 2-91, 2-95, 2-96, 2-100, 2-101, 3-3, 3-4, 3-8, 3-9, 3-11, 3-15, 3-16, 3-25, 3-26, 3-27, 4-12, 4-13, 4-18, 4-22, 5-3, 5-5, 5-7, 5-9, 5-11, 5-13, 5-15, 5-17, 5-23, 5-25, 8-4, 8-11	0255524	2-57, 2-62	0258426	2-57	0259479	2-50, 2-61
		0255917	2-95, 7-24, 7-34	0258454	2-3	0270209	1-5, 1-9, 1-21
		0256060	10-1	0258455	2-3	0270210	1-9, 1-21
		0256196	1-11	0258456	2-3	0270211	1-9, 1-21
		0256689	2-34	0258457	2-3	0270264	2-99
		0256690	2-34	0258513	8-3	0270331	2-13
		0256762	7-3, 10-2	0258514	8-3	0270396	2-79
		0256777	7-3, 10-2	0258529	8-7	0270511	10-3
		0256789	10-1	0258530	8-7	0270712	10-2
		0256823	2-100	0258531	8-7	0270723	10-2
		0256847	2-36	0258532	8-7	0270795	4-19
		0257157	10-2	0258533	8-7	0270796	4-19
		0257176	7-15, 7-24, 7-34	0258534	8-7	0270801	4-19
		0257195	10-1	0258535	8-7	0270808	4-19
		0257728	10-4	0258536	8-7	0270809	4-19
		0257760	3-3	0258537	8-7	0270810	4-19
		0257761	3-7	0258538	8-7	0270814	4-4, 4-8, 4-19, 4-24, 7-3
0100019	2-13, 2-17, 6-15, 6-19	0257764	3-11	0258539	8-7		
		0257849	4-39	0258540	8-7	0270885	1-10
0100020	2-32, 2-43, 2-45, 2-49, 2-51, 2-57, 2-62, 2-70, 2-79, 4-18, 4-21, 6-13, 6-17	0257850	4-39	0258541	10-1	0270886	1-10
		0257851	2-65	0258608	4-13	0270888	1-10
		0257853	2-39	0258609	2-99	0270959	10-1
		0257856	2-65	0258654	10-1	0271002	2-17
		0257857	2-39	0258655	7-9	0271038	8-3, 8-7
0100035	3-25, 3-26, 4-12, 4-17, 4-21	0257884	2-95	0258657	7-9	0271083	1-10
		0257885	2-95	0258670	2-4	0271084	1-10
0100038	3-11, 5-3, 5-5, 5-7, 5-9, 5-11, 5-13, 5-15, 5-17, 5-23, 5-25	0257887	2-95, 7-24, 7-34	0258671	8-4, 8-11	0271085	1-10
		0258048	4-4, 7-3	0258674	2-95	0271086	1-10
		0258076	3-16	0258696	10-2	0271090	1-10
		0258077	3-16	0258706	8-3	0271091	1-10
0100040	4-7	0258217	3-25	0258728	2-103	0271112	10-1
0100048	2-88, 2-92, 2-95, 4-21, 7-28	0258285	1-3	0258734	10-1	0271340	4-19, 4-24
		0258286	1-3	0258737	10-1	0271364	2-49
0100062	2-79	0258287	1-4	0258757	10-1	0271366	2-50, 2-61, 4-18, 4-23
0100063	5-5, 5-7, 5-9, 5-11, 5-13, 5-15, 5-18, 5-23, 5-25	0258288	1-5, 1-9, 1-21	0258758	10-1		
		0258289	1-9, 1-21	0258759	10-1	0271367	2-50
		0258323	1-10	0258763	4-40	0271368	2-49
0100079	2-79	0258324	1-10	0258765	3-4	0271371	2-31
0100081	3-17, 4-22	0258327	1-10	0258766	3-8	0271374	7-20, 7-29
0140001	2-4	0258328	1-10	0258802	10-1	0271376	7-29
0140011	4-17, 4-21	0258330	1-10	0258805	10-1	0271418	4-18
0140026	4-11	0258331	1-10	0258826	10-4	0271422	2-95
0140032	2-95	0258333	1-10	0258827	10-4	0271544	2-39, 4-24

SECTION 11 PART NUMBER INDEX

Part Number	Page	Part Number	Page	Part Number	Page	Part Number	Page
0271545	2-65, 4-24	0561237	3-8		2-44, 2-50, 2-70,	0701022	2-43, 2-49
0271546	2-65, 4-24	0561295	3-15		2-99, 3-3, 3-4, 3-	0701414	2-32
0271547	2-39, 4-24	0630427	3-25		8, 3-11, 3-15	0711414	2-40
0271550	4-23, 4-39	0630462	4-39	0641609	2-99, 2-103, 3-11, 3-	0721003	4-12, 4-13, 4-14, 4-
0271551	4-23, 4-39	0630464	4-12, 4-17, 4-21		15		19, 4-24
0271768	2-95, 4-23	0630491	2-95	0641610	2-5, 2-32, 2-40, 2-	0721004	2-45, 2-51, 4-12
0271771	10-3	0630498	2-31, 2-44, 2-50, 2-		44, 2-50, 2-70,	0721005	2-32, 2-86
0271941	4-7		69		3-11, 3-26, 3-27,	0721006	2-41, 2-45, 2-49, 2-
0272040	10-2	0630507	2-99		4-5, 4-7, 4-11, 4-		66, 2-70, 2-100
0272070	3-4, 3-9	0630518	2-87, 2-91		17, 4-21	0721008	2-100
0272131	3-7	0630534	5-7, 5-13	0641611	2-83, 3-3, 3-8	0721010	4-12
0272189	2-17	0630535	5-3, 5-15, 5-17, 5-	0641612	3-8, 3-15, 3-16, 4-	0721014	2-49
0272254	10-3		23, 5-25		40, 5-11	0731005	4-39
0272255	10-3	0630536	5-11	0641614	2-3, 2-79, 3-8	0741606	2-95
0272259	7-34	0630537	5-5, 5-9	0641615	3-11	0741607	3-3, 3-4, 3-8
0272260	7-34	0630539	3-12	0641616	3-11	0801132	3-3, 3-7, 3-11
0272269	1-3	0630548	2-91	0641618	3-8	0801133	3-11
0272312	10-3	0641403	3-26	0641622	3-11, 3-16	0801134	3-11
0272322	1-10	0641404	3-3, 3-8, 4-12, 4-17,	0641628	1-21	0801135	3-3, 3-15
0272333	1-10		4-21	0641640	3-16	0801136	3-7, 3-15
0272334	1-10	0641406	2-4, 2-45, 2-51, 2-	0641772	2-41, 2-66	0801137	3-15
0272354	2-83		70, 2-87, 2-100,	0641806	3-11, 5-23	0801138	3-15
0272355	2-83		4-7, 4-12, 4-21,	0641808	2-33, 2-70	0801139	3-15
0272381	3-3		4-40, 8-4, 8-11	0641810	2-34, 3-4, 3-8	0801140	3-15
0272395	10-3	0641407	2-32	0641812	2-32, 2-43, 2-49, 2-	0801185	3-15
0272418	10-3	0641408	2-43, 2-45, 2-51, 2-		70, 3-4, 3-9	0801191	3-15
0272429	7-29		57, 4-5, 4-7, 4-	0641814	1-4	0860038	7-15, 7-24, 7-34
0272431	7-29		11, 4-17, 4-21,	0641816	1-4	0860520	8-4, 8-11
0272433	7-34		8-4, 8-11	0641818	2-32, 2-70, 2-103, 5-	0860984	4-11, 4-13
0272435	10-3	0641410	2-52, 2-87, 2-92		5, 5-9	0861131	2-85
0272444	4-40	0641414	1-3, 2-3, 4-4, 4-5, 4-	0641820	1-3, 2-83, 3-4, 3-8,	0861154	2-85
0272448	10-3		8		3-9	0861155	2-85
0272480	2-39, 4-24	0641416	2-57, 3-8, 3-26, 4-21	0641826	2-33	0861196	2-85
0272481	2-39, 4-24	0641418	2-3, 4-17	0641828	2-44, 2-50, 2-70	0861197	2-85
0272507	2-95	0641420	5-25	0642010	2-33, 2-45, 2-52, 2-	0861228	2-85
0272590	10-3	0641422	3-25		71	0861229	2-85
0272599	10-3	0641424	2-52	0642018	2-13	0861237	4-5, 4-11
0272970	4-7	0641436	3-25	0642212	1-3	0861258	2-85
0275804	4-13, 4-18, 4-23	0641506	2-5, 2-86, 2-91, 2-	0642214	3-4, 3-8	0861259	2-85
0340041	2-31, 2-45, 2-51, 2-		101	0642612	2-95	0861302	2-85
	69	0641507	2-47, 2-54, 2-72	0642620	3-4, 3-8	0861313	2-85
0340046	2-47, 2-54, 2-72	0641508	2-3, 2-32, 2-41, 2-	0642682	3-4, 3-9	0861407	2-91
0362519	2-58, 2-62		46, 2-51, 2-66,	0651406	2-3	0861414	4-17, 4-18, 4-21, 4-
0362610	3-26		2-70, 2-79, 2-95,	0681608	1-3, 1-4, 3-4, 3-9		22
0362726	1-4		2-100	0681610	3-4, 3-9	0861415	4-5, 4-17
0362770	2-99	0641510	2-33	0681612	2-41, 2-66	0861445	2-91
0370022	5-17	0641514	2-46, 3-4	0681836	2-13	0861474	4-5, 4-21
0370034	5-5	0641524	4-4	0682016	1-5, 1-9, 2-13	0861500	2-91
0400075	2-31, 2-44, 2-50, 2-	0641550	1-11	0682023	2-13, 2-17	0861501	2-91
	69	0641552	5-25	0682032	2-17	0861502	2-91
0440207	2-13	0641604	3-3, 3-8	0682214	2-17	0861503	2-91
0440233	2-13	0641605	3-11	0700808	2-32, 2-71	0861517	4-7, 4-21
0440244	2-17	0641606	2-3, 2-33, 2-45, 2-	0700810	2-36, 2-43, 2-49	0861537	4-21, 4-23
0480050	2-40, 2-66		51, 2-58, 2-62,	0700819	2-41, 2-45, 2-52	0902088	2-43
0480111	2-40, 2-66		2-70, 3-3, 3-4, 3-	0701011	2-70	0902109	2-83
0480118	2-40		8, 3-11, 3-15, 3-	0701012	2-33, 2-45, 2-51, 2-	0902132	2-57
0480119	2-40		16		70	0902143	2-99
0480121	2-40	0641607	3-8, 3-11, 3-15, 3-16	0701014	2-43, 2-49	0902161	2-99
0561185	3-11	0641608	1-3, 1-4, 1-21, 2-33,	0701015	2-33, 2-66, 2-71	0902206	2-95

SECTION 11 PART NUMBER INDEX

Part Number	Page	Part Number	Page	Part Number	Page	Part Number	Page
0902210	2-66	1001092527	2-88	1001149560	10-3	1320249	3-16
0902219	2-99	1001093187	2-92, 3-27, 6-20, 7-24, 7-34, 8-4, 8-12	1060012	4-14, 7-8	1320250	3-11
0902223	2-99			1060279	8-4, 8-11	1320251	3-11
0902243	2-32	1001093256	2-92, 7-23, 7-33	1060330	4-17, 4-40, 7-20	1320252	3-12
0902309	2-47, 2-54	1001094400	3-27, 7-14, 7-21, 7-30, 9-2	1060341	4-40, 7-16, 7-25, 7-35	1320256	7-10, 7-21, 7-29
0902351	2-99	1001094401	3-27	1060494	7-15, 7-24, 7-25, 7-35	1320258	2-34
0902412	2-99	1001094470	2-92, 7-21, 7-30	1060516	7-9	1320263	3-16
0902415	2-5	1001094484	2-88, 2-92, 9-2	1060637	2-33, 2-46, 2-52, 2-71	1340060	2-31, 2-45, 2-51, 2-69
0902426	2-99	1001094557	6-20	1060676	7-9	1340061	10-2
0902491	2-99	1001094639	3-27	1060896	7-20, 7-21, 7-29, 7-30	1380147	2-103
0902511	2-32	1001094791	2-88, 7-14	1060902	7-21, 7-29	1580011	2-44, 2-50, 2-69
0902520	2-83	1001095809	8-3, 8-4, 8-8, 8-12	1060918	4-7, 4-21, 7-28	1580012	4-5, 4-8
0902527	2-70	1001096141	8-4	1060978	7-21, 7-30	1580013	4-5, 4-8
0902539	2-49	1001097051	7-21, 7-30	1100086	1-4	1600211	2-44
0902572	2-52	1001097082	7-21, 7-30	1120484	2-80	1600218	4-11
0902751	4-21	1001097957	7-14	1120487	2-80	1600283	4-11, 4-33
0902756	2-66	1001099837	3-16	1120510	3-4, 3-7	1600284	4-11, 4-27
0902846	2-83	1001099840	3-16	1120552	1-11	1600298	2-50
0920111	2-13, 2-21	1001100321	2-39, 2-65	1180346	3-11	1600312	2-91
0920112	1-9, 1-13	1001101422	10-3	1180347	3-16	1600313	4-17, 4-21
0920117	1-9	1001102841	10-1	1180349	3-16	1600314	2-50, 9-1
0920119	1-9, 1-13, 2-13, 2-21	1001102842	10-1	1260017	2-14, 2-17	1600317	4-17, 4-21, 4-29
0940038	4-39	1001103095	3-7, 3-19	1260136	4-40	1600318	4-17, 4-21, 4-35
0940070	2-31, 2-45, 2-51, 2-69	1001104985	10-1	1282571	7-2	1600327	2-91
0940071	2-99	1001106482	3-26	1282663	7-3, 10-2	1641808	2-46, 2-51
0961816	5-3	1001109690	6-19	1282665	7-3, 10-2	1660157	2-43
0961893	5-7	1001109693	10-2	1282937	7-2, 7-3	1660219	2-83
0961894	5-15, 5-17	1001110133	10-2	1282946	10-1	1660219RR	2-83
0961895	5-3	1001113961	4-35, 4-36	1283309	10-2	1660220	2-69
0961897	5-23, 5-25	1001114116	10-2	1300019	1-11, 10-3	1660222	2-70
0961900	5-13	1001117320	4-7	1320011	5-25	1660223	2-83
0961901	5-5, 5-9	1001118416	4-17, 4-21, 4-35, 4-36, 9-1	1320012	2-44, 2-50, 2-69	1660223RR	2-83
0961902	5-17	1001118417	4-17, 4-21, 4-29	1320016	2-32, 2-45, 2-51, 2-69	1660234	2-36, 9-1
0961903	5-11	1001129555	4-17, 4-21, 4-29, 4-30, 9-1	1320017	2-57	1660239	2-69, 9-1
0961947	3-7, 5-7, 5-17	1001137005	10-4	1320019	2-49	1660250	2-47, 2-53, 9-1
0961951	3-4, 3-15, 5-13, 5-15, 5-17	1001137261	1-4	1320022	2-32, 2-43, 2-44, 2-49, 2-50, 2-57, 2-70	1670769	3-7
0961977	5-21	1001137460	2-4, 2-5	1320031	2-33	1670776	1-11
0961986	2-33, 2-46, 2-52, 2-70	1001139132	10-1	1320032	2-46, 2-52	1670785	4-39
0962031	2-70	1001142504	10-3	1320040	4-40	1670786	4-39
0962051	2-103	1001142505	10-3	1320060	2-44, 2-50, 4-12, 4-18	1670787	4-39
0962102	1-3, 3-11, 3-15, 5-5, 5-9, 5-11	1001143187	6-17, 6-20	1320095	4-12	1670788	4-39
0962122	3-11	1001143188	6-17, 6-20	1320127	2-62	1670789	4-39
0962152	1-4	1001143191	2-4	1320131	2-33	1670791	4-39
0962155	5-13, 5-15	1001143192	6-19	1320159	3-4	1670793	4-39
0962156	5-13	1001143256	10-3	1320176	2-34	1670795	4-39
0962185	5-13	1001144023	4-7	1320218	2-58, 2-62	1670796	4-39
0962219	5-23	1001144024	4-7	1320220	2-57, 2-62	1670797	4-39
0962224	1-4	1001144629	4-7	1320222	2-33, 2-43, 2-70	1670798	4-39
0962335	3-8	1001148902	10-2	1320223	2-33, 2-44, 2-45, 2-51, 2-71, 2-79	1670799	4-39
0962336	5-7	1001148903	10-2	1320248	3-16	1670801	4-39
1001091424	2-4	1001148904	10-2			1670803	4-39
1001091538	2-87, 3-26, 6-20, 8-4, 8-12	1001148905	10-2			1670804	4-39
1001091778	2-87, 7-14	1001148906	10-2			1670824	3-26
1001091941	2-88, 7-14	1001148971	10-2			1670829	2-87, 2-91, 4-12, 4-17, 4-21
						1670836	3-15
						1670842	2-99
						1670844	3-3, 3-7

SECTION 11 PART NUMBER INDEX

Part Number	Page	Part Number	Page	Part Number	Page	Part Number	Page
1670850	3-3, 3-7	1684115	5-13	1703622	2-87	1703991	8-11
1670864	3-4	1684125	5-15	1703772	8-3, 8-8	1703996	8-9
1671037	4-22	1684126	5-15	1703773	8-3, 8-8	1704000	8-8
1683050	5-13	1684191	5-3	1703797	8-3	1704001	8-8
1683053	5-7	1684228	3-7, 5-17	1703798	8-3	1704002	8-8
1683055	5-15, 5-17	1684230	5-17	1703804	8-3	1704003	8-8
1683059	5-3	1684232	5-17	1703805	8-3	1704004	8-8
1683061	5-25	1684408	3-3, 3-4, 5-17	1703808	8-3, 8-8	1704005	8-8
1683071	5-5, 5-9	1684497	3-3, 3-7, 5-5	1703923	8-7	1704006	8-9
1683073	5-11	1700584	8-3, 8-9	1703924	8-7	1704007	8-9
1683074	5-17	1700818	2-57, 2-61, 8-4, 8-11	1703925	8-7	1704008	8-9
1683078	1-3, 5-3	1701500	8-3, 8-10	1703926	8-7	1704096	8-3
1683079	5-3	1701501	8-3, 8-10	1703927	8-7	1704098	8-9
1683081	5-3	1701502	8-3, 8-9	1703928	8-7	1704099	8-9
1683261	5-7	1701503	8-3, 8-9	1703929	8-7	1704100	8-9
1683537	3-3, 3-7, 5-11	1701504	8-3, 8-9	1703930	8-7	1704101	8-9
1683538	5-11	1701505	2-33, 2-71, 8-4, 8-11	1703931	8-7	1704102	8-9
1683539	5-11	1701509	8-3, 8-10	1703932	8-7	1704103	8-9
1683544	5-5	1701542	2-46, 2-52, 8-4, 8-11	1703933	8-7	1704104	8-3
1683545	5-5	1701543	2-57, 2-61, 8-4, 8-11	1703934	8-7	1704106	8-9
1683546	3-3, 3-7, 5-5	1701645	8-3	1703935	8-7	1704107	8-9
1683547	3-3, 3-7, 5-9	1702153	8-3	1703936	8-7	1704108	8-9
1683548	5-9	1702265	8-4	1703937	8-7	1704109	8-9
1683549	5-9	1702300	8-3, 8-10	1703938	8-7	1704110	8-9
1683605	1-4, 5-21	1702564	4-11, 4-17, 4-21	1703939	8-7	1704111	8-9
1683606	3-11, 5-25	1702565	4-11, 4-17, 4-21	1703940	8-7	1704112	8-9
1683607	3-15, 5-23	1702566	4-11, 4-17, 4-21	1703941	8-10	1704116	8-10
1683608	3-3, 5-13	1702567	4-11, 4-17, 4-21	1703942	8-10	1704117	8-10
1683609	3-7, 5-7	1702610	2-86	1703943	8-10	1704118	8-10
1683610	3-3, 3-4, 5-17	1702612	8-3	1703944	8-10	1704119	8-10
1683629	5-25	1702676	4-7, 4-11, 4-17, 4-21	1703945	8-10	1704120	8-10
1683632	5-25	1702688	8-3	1703946	8-10	1704121	8-10
1683633	5-13	1702701	1-11	1703947	8-7	1704260	4-12, 4-17, 4-21
1683635	5-13	1702720	8-11	1703948	8-7	1704271	8-11
1683642	5-17	1702739	1-11	1703949	8-7	1704277	8-3, 8-8
1683643	5-17	1702773	8-3, 8-8	1703950	8-7	1704833	2-86, 2-91
1683647	5-23	1702774	8-3, 8-8	1703951	8-7	1704885	8-4, 8-11
1683648	5-23	1702784	8-3, 8-8	1703952	8-7	1705132	2-92, 4-22
1683663	5-23	1702788	10-1	1703953	8-4	1705364	1-11
1683672	3-15, 5-23	1702860	8-3, 8-8	1703954	8-3	1705977	8-11, 8-12
1683673	5-23	1702862	8-4, 8-10	1703959	8-3, 8-10	1707110	8-3, 8-4, 8-8, 8-12
1683675	5-23	1702868	8-3	1703960	8-4, 8-11	1707111	4-13, 4-18, 4-23, 8-4, 8-12
1683677	3-7, 5-17	1702901	8-3	1703963	8-10	1840012	2-86
1683678	5-17	1702903	8-4, 8-11	1703964	8-10	1840013	2-86
1683680	5-17	1702924	8-4, 8-11	1703965	8-10	1840014	2-86
1683682	3-7, 5-15	1702927	8-4, 8-11	1703966	8-10	1840015	2-86
1683683	5-15	1702938	4-19, 4-23, 4-40	1703967	8-10	1870062	7-3
1683685	5-15	1702961	10-1	1703968	8-10	1870063	7-3
1683687	5-7	1702962	10-1	1703980	8-10	1870100	7-3
1683740	1-4, 5-21	1703090	4-12	1703981	8-10	1870120	7-4
1683818	5-11	1703091	4-12	1703982	8-10	1870132	7-2, 7-3, 7-4
1683819	5-5	1703092	4-12	1703983	8-10	2000146	2-31, 2-34
1683821	5-9	1703093	4-12	1703984	8-10	2000151	2-69, 2-71
1683823	5-11	1703162	2-32, 2-44, 2-50, 2-69	1703985	8-10	2000156	2-43, 2-46
1683986	5-3	1703175	10-1	1703986	8-11	2000160	2-43, 2-46
1683987	5-3	1703467	2-85, 2-91	1703987	8-11	2000164	2-49, 2-52
1684089	5-7	1703468	2-85, 2-91	1703988	8-11	2000166	2-49, 2-52, 2-61
1684090	5-7	1703479	10-1	1703989	8-11	2000172	2-49, 2-52
1684114	5-13			1703990	8-11		

SECTION 11 PART NUMBER INDEX

Part Number	Page	Part Number	Page	Part Number	Page	Part Number	Page
20001732-31, 2-35	2220375 6-5, 6-9	22207202-57	2560136 4-11, 4-17, 4-21
20001742-49, 2-52, 2-61	2220376 6-13, 6-17	22207376-13, 6-17	2600209 2-100
20001892-31, 2-35	2220377 6-5, 6-9	22207656-13, 6-17	2600211 4-13, 4-18, 4-23
2060025	2-31, 2-44, 2-50, 2-69	2220379 6-13, 6-17	22207755-9, 6-14	2600216 4-4
2080040 4-4, 4-7	2220380 6-5, 6-9	22207942-33	2600219 4-4
2080044 3-8	2220381 6-13, 6-17	2220800 6-9	2600233 2-100
21200772-57	2220385 6-13, 6-17	22208052-50	2600244 2-99
21201502-3, 9-1	2220414 6-15	22208106-5, 6-9	2600281 4-7
21201632-3	2220415	6-3, 6-5, 6-9, 6-13, 6-17	2220811 6-3, 6-5, 6-9	2600287 4-4
21201672-3	2220418 2-62	2220833 6-10	2680436 2-100
21201682-3, 9-1	2220428 6-13, 6-17	22208526-13, 6-17	2680437 2-100
21201692-46	2220429 6-13, 6-17	2220873	6-13, 6-15, 6-17, 6-19	2680448 2-99, 2-100
21600032-14, 2-17	2220430 2-51	2220883	5-5, 5-7, 5-9, 5-11, 5-17, 5-25	2680450 2-99
21801042-57	2220437 2-43	2220885	5-3, 5-7, 5-17, 5-23, 5-25	2680451 2-99, 2-100
21801252-57, 2-62	2220451	2-32, 6-5, 6-9, 6-13, 6-17	22208865-3, 5-25	2720015 2-46
21803442-14, 2-17	2220459 2-32	2220888 5-5, 5-9, 5-11	2720042 2-57
21803602-57	2220465 6-5	2220893 2-3	2720058	2-33, 2-45, 2-51, 2-70
21803806-15, 6-19	2220466	6-5, 6-9, 6-13, 6-17	2220893 2-3	2720112 2-57
21803872-58, 2-62	2220473	6-6, 6-10, 6-13, 6-17	22209236-19	2720144 2-57, 2-62
21803882-57, 2-62	2220478 6-13, 6-17	2220947	6-13, 6-15, 6-17, 6-19	2720160 2-46
21803892-57, 2-62	2220479 6-5, 6-9	22209506-15, 6-19	2720271 2-32, 2-45
2180418	2-57, 2-58, 2-61, 2-62	2220490	6-3, 6-6, 6-10, 6-13, 6-17	22209942-43	2720341 2-52, 2-53
21804672-45, 2-51	2220497 6-14	2220999	6-5, 6-9, 6-13, 6-17	2720351 2-32
21805362-32, 2-43	2220498 6-5	22210182-58, 2-62	2720392 2-61
21806155-9	2220499 6-9	2221019	... 2-57, 2-61, 2-62	2720398 2-32
21807246-15, 6-19	2220500	6-5, 6-9, 6-13, 6-17	22210242-58, 2-62	2720423 2-33
2180798	2-31, 2-45, 2-51, 2-69	2220501	..6-6, 6-10, 6-14, 6-18, 6-19	22210296-5, 6-9	2720434 2-32
22002042-57	2220502 6-9, 6-13, 6-17	2221030 6-10	2720435 2-44, 2-50
22002212-46, 2-71	2220504 6-5, 6-9	22210366-15, 6-19	2720436 2-45, 2-51
22002222-19, 2-26, 2-79	2220516 5-9, 6-5	2360461 1-5	2720441 2-69
22002332-45	2220517 6-9	2360489 1-5	2720442 2-69
22003172-45	2220574 6-13, 6-17	2360490 1-5	2720449 2-32
22200052-57, 2-61	2220577	6-3, 6-6, 6-14, 6-18	2360494 1-6	2720472 2-50
22200632-14, 2-17	2220582	6-3, 6-5, 6-9, 6-13, 6-17	2360502 1-5	2750532	2-32, 2-43, 2-44, 2-49, 2-50, 2-70
22200642-57, 2-61	2220591 6-14, 6-18	2360587 1-5	2750760 6-3
22202356-5, 6-9	2220593 6-13, 6-17	2360588 1-5	2750920 6-3
22202376-5, 6-9	2220596	6-5, 6-9, 6-13, 6-17	2360589 1-5	2751011 6-5, 6-9
2220240 6-5	2220600 6-5, 6-9	2360590 1-5	2751017 6-6, 6-10
2220242 6-5, 6-9	2220602	6-3, 6-5, 6-9, 6-13, 6-17	2360591 1-6	2751032 2-14, 2-17
2220250	2-32, 2-43, 2-45, 2-51	2220603 6-3, 6-19	2360592 1-5	2751095 2-14, 2-17
22202512-57	2220605	6-5, 6-9, 6-13, 6-17	2360600 1-5	2751391 6-6, 6-10
22202612-57, 2-62	2220606 6-19	2360601 1-5	2751397 6-6, 6-10
22202702-45	2220609	6-5, 6-9, 6-14, 6-18	2360602 1-5	2751906 6-3, 6-10
2220273	2-32, 2-43, 2-45, 2-51	2220618	6-5, 6-9, 6-13, 6-17	2360603 1-5	2752265 6-5
22203132-32, 2-70	2220619 6-3, 6-13, 6-17	24000607-12, 7-32	2752266 6-5
22203152-44	2220628 6-5, 6-9	24000617-12, 7-32	2752345 6-6
2220362 6-5, 6-9	2220635 6-3, 6-14	24000657-21, 7-30	2752363 6-6, 6-10
2220363 6-5	2220646 6-5, 6-9	24000667-21, 7-30	2752365 6-6, 6-10
2220365 6-5, 6-9	2220654 6-13	24201722-86, 2-91	2752366 6-6, 6-10
2220366 6-5, 6-9	2220655 6-19	24201872-43, 2-52	2752438 6-14, 6-18
2220371	6-3, 6-6, 6-10, 6-13, 6-17	2220675 2-57	24202032-40, 2-66	2752453 6-6, 6-10, 6-13
2220373	6-5, 6-9, 6-13, 6-17	2220710 6-5	24600112-39, 2-65	2752462 6-14, 6-18
22203746-5, 6-9	2220711 6-3, 6-6, 6-9	24600132-39, 2-65	2752463 6-14, 6-18
				24600322-39, 2-65	2752468 6-14, 6-18
				24600342-65	2752489 6-6, 6-10
				25000052-43	2752494	6-6, 6-10, 6-14, 6-18
						2752498 6-6, 6-10

SECTION 11 PART NUMBER INDEX

Part Number	Page	Part Number	Page	Part Number	Page	Part Number	Page
2752513	6-6, 6-10	2753200	6-13, 6-17	2915096	2-13		26, 4-4, 4-5, 4-7,
2752514	6-5, 6-6, 6-9, 6-10	2753216	6-13, 6-17	2920110	2-95		4-8, 4-12, 4-17,
2752516	6-10	2753231	6-13, 6-17	2920113	2-96		4-21, 4-40, 8-4,
2752518	6-5, 6-9	2760105	2-86, 2-91, 4-11, 4-17, 4-21	2920129	4-13, 4-14, 4-18, 4-21, 7-8, 7-11, 7-14, 7-21, 7-23, 7-28, 7-30, 7-33	3311501	4-39
2752573	6-6, 6-10, 6-14	2780205	2-13, 2-19			3311505	2-33, 2-46, 2-47, 2-51, 2-54, 2-70, 2-72, 2-79, 2-100, 4-4
2752575	6-5, 6-9	2780227	1-9, 1-15	2920140	4-4, 4-8, 7-16, 7-25, 7-35	3311601	2-79, 2-99, 3-11, 3-26, 3-27, 4-13, 4-18, 4-23
2752581	6-6, 6-10	2780228	1-9, 1-15	2920162	2-40, 2-66	3311602	3-11
2752585	6-14, 6-18	2780229	1-5	2920215	2-95	3311605	2-32, 2-41, 2-44, 2-50, 2-66, 2-70, 2-99, 2-100, 2-103, 3-8, 3-12, 3-17, 4-5, 4-8, 4-12, 4-17, 4-21, 4-40
2752591	6-10	2792351	6-20	2940074	4-4, 4-7, 9-1		
2752592	6-10	2792362	6-5, 6-20	2940088	2-100		
2752611	6-3	2792363	6-9, 6-20	3010088	4-40		
2752642	6-10	2792364	6-20	3020021	2-36		
2752648	6-3, 6-6, 6-10	2792365	6-13, 6-20	3124114	2-53		
2752671	6-18	2792366	6-13, 6-20	3160204	1-9, 1-19		
2752673	6-6, 6-10	2792367	6-3, 6-20	3160223	2-13, 2-23		
2752674	6-14	2820031	2-41, 2-67	3160279	2-13, 2-23		
2752721	6-14, 6-18	2820035	2-95, 4-4, 4-8, 7-16, 7-25, 7-35	3160286	2-17, 2-26		
2752754	6-6, 6-10	2820078	2-100	3200362	2-33, 2-44, 2-50, 2-71	3311705	2-41, 2-67
2752766	6-14, 6-18	2820079	2-100	3200401	2-69	3311801	1-9, 1-10, 2-33, 2-46, 2-51, 2-70, 3-25
2752767	6-14, 6-18	2820080	2-100	3200406	2-31	3311802	2-13
2752768	6-14, 6-18	2820081	2-101	3220103	2-34	3311805	1-9, 1-10, 2-32, 2-44, 2-50, 2-70, 2-83, 2-99, 2-103, 3-4, 3-9
2752928	6-6	2840016	2-103	3220104	2-34		
2752930	6-14, 6-18	2860012	2-41, 2-66	3220113	2-47, 2-54, 2-72		
2752942	6-6, 6-10	2860030	2-85, 2-91, 9-1	3220114	2-47, 2-54		
2752949	6-10	2900708	2-3, 2-7, 2-8	3251102	2-41, 2-67, 4-19, 4-24	3312002	2-17
2752977	6-5, 6-9	2900770	3-20, 5-3	3251243	8-3, 8-10	3321005	2-32
2752978	6-14, 6-18	2900788	1-19	3251813	8-3, 8-9	3321401	2-43
2753006	6-14, 6-18	2900792	5-5, 5-7, 5-9, 5-11, 5-18	3252221	10-1	3321402	2-70
2753007	6-14, 6-18	2901271	5-3	3252347	8-4	3321602	2-70
2753008	6-14, 6-18	2901273	5-25	3252507	8-3, 8-10	3340705	3-15
2753009	6-14, 6-18	2901301	5-15, 5-18	3271605	5-25	3340756	3-11, 3-15
2753010	6-13, 6-17	2901303	5-7	3272605	3-4, 3-9, 3-19	3340764	3-16
2753035	6-10	2901392	2-32	3300007	1-5, 1-9	3340828	3-11
2753036	6-5, 6-9	2901443	7-25, 7-36	3300205	2-86, 2-91	3340833	5-25
2753087	6-6, 6-10	2901514	5-9	3300353	4-22	3340834	5-25
2753117	6-6, 6-10	2901526	5-5	3300390	2-87	3340835	3-3, 3-8, 3-11
2753118	6-14, 6-18	2901537	5-11	3300393	4-4	3340838	5-23
2753122	6-14	2901549	5-13	3300408	2-87, 2-91	3340840	3-16
2753123	6-14, 6-18	2901556	5-18	3310601	2-86, 2-103	3340859	3-12
2753124	6-14, 6-18	2901608	2-45, 2-51	3310605	3-26, 3-27	3340860	3-16
2753125	6-14, 6-18	2901609	2-33	3310801	3-26	3340861	3-16
2753126	6-14, 6-18	2901712	5-23	3310805	2-58, 2-62, 3-25	3340871	3-15
2753128	6-14, 6-18	2901809	2-70	3311001	2-70, 2-86, 2-100, 4-7, 4-12, 4-19, 4-24	3340881	3-11, 3-15
2753129	6-14, 6-18	2902396	10-2	3311005	2-41, 2-45, 2-49, 2-66, 2-96, 2-100, 4-4, 4-13, 4-14	3380429	2-33, 2-45, 2-51, 2-70
2753155	6-9	2902456	6-19			3380434	4-5, 4-8
2753157	6-10	2902457	6-19			3380442	2-99
2753158	6-10	2902459	6-19			3380443	2-99
2753159	6-10	2910000	2-32, 7-13			3380444	2-99
2753161	6-9	2910001	7-13			3421565	2-14, 2-17
2753162	6-9	2910465	10-2			3421627	2-14
2753187	6-10	2910466	10-2			3422446	2-31, 2-44, 2-50, 2-69
2753189	6-14, 6-18	2910467	10-2			3422457	3-15
2753190	6-14, 6-18	2910872	4-22				
2753191	6-14, 6-18	2910925	10-2				
2753192	6-14, 6-18	2910926	10-2				
2753195	6-13, 6-17	2915014	2-91				
2753196	6-13, 6-17						
2753197	6-13, 6-17						
2753199	6-13, 6-17						

SECTION 11 PART NUMBER INDEX

Part Number	Page	Part Number	Page	Part Number	Page	Part Number	Page
3422530	2-103	3520035	2-92, 3-25, 3-26	3600377	2-52	3900259	3-15
3422532	2-33, 2-45, 2-51, 2-71	3520072	4-4, 4-7	3620033	2-31	3900262	3-12
3422558	3-7	3520173	4-13	3620040	2-44, 2-50, 2-69	3900268	2-86, 2-91
3422559	3-7	3520174	2-87, 4-23	3640970	2-86	3900272	2-32, 2-51, 2-70
3422560	3-7	3530072	4-39	3640986	2-87	3900293	2-17
3422561	3-7	3536089	4-4, 4-8	3641182	4-14	3910608	2-86, 2-103
3422563	3-7	3537416	2-31	3730023	7-10	3910610	4-11
3422578	3-3, 3-4	3537417	2-31	3730099	7-10, 7-11	3910804	2-87, 2-91
3422580	3-3, 3-4	3537420	2-31	3740049	2-86, 2-87, 2-91, 4-13, 4-14, 7-2, 7-3, 7-25, 7-30, 7-35, 9-1	3910808	2-58, 2-62
3422582	3-3, 3-4	3537445	2-103	3740057	2-87, 7-3	3911008	4-4, 4-7
3422583	3-8	3537446	2-103	3740058	4-12	3911024	2-87
3422681	3-3, 3-8	3538047	1-3	3740063	4-12	3911040	2-96
3422683	3-3, 3-8	3538758	3-16	3740066	2-87, 7-3	3930606	3-26, 3-27
3422684	3-3, 3-8	3538819	4-11	3740067	2-31, 2-44, 2-50, 2-69, 9-1	3930816	3-26
3422685	3-3, 3-8	3538873	2-44	3740080	2-41, 2-44, 2-50, 2-67, 9-1	3930824	3-25, 3-26
3422686	3-3, 3-8	3539219	2-86, 2-91	3740112	2-86	3931436	3-25
3422687	3-3, 3-8	3539275	4-13, 4-14	3740113	2-87, 4-12	3931448	5-23, 5-25
3422688	3-3, 3-8	3539281	2-95	3740115	4-12	3931464	3-25
3422688	3-3, 3-8	3539685	4-4	3740126	2-71, 7-13	3931508	5-25
3422689	3-3, 3-8	3539719	4-39	3760133	3-15	3931516	5-7, 5-13
3422690	3-15	3539772	2-31, 2-44, 2-50, 2-69	3760170	2-14, 2-17	3931620	5-15, 5-17
3422701	1-4	3539877	1-3	3760367	5-3, 5-13	3931664	5-23
3422702	1-4	3539878	1-3	3760368	5-7	3931672	4-13, 4-18, 4-23
3422703	1-3	3539934	2-99	3760369	5-15, 5-17	3931720	5-3, 5-25
3422729	3-3, 3-8	3539955	2-101	3760370	5-25	3932224	2-13, 2-17
3422753	1-5	3539957	2-33, 2-46, 2-51, 2-70	3760374	5-5, 5-9, 5-11	3932240	5-5, 5-9, 5-11
3422754	1-5	3539971	2-31	3790012	2-57, 2-61, 2-96, 4-8, 4-11, 4-13, 4-18, 4-19, 4-22, 4-23, 4-24	3952020	2-17
3422755	1-4	3539972	2-43, 2-49	3790044	2-33, 2-49	3960389	2-31, 2-46, 2-51, 2-70, 2-99
3422860	3-7	3539979	2-99	3790110	3-20	3960407	2-33
3422861	3-7	3570103	2-44, 2-50	3790152	2-43, 2-49, 2-71	3960438	2-100
3422867	3-7	3570104	2-45	3820001	8-4, 8-10	3960453	2-99
3430816	2-103	3570133	2-44, 2-50	3841143	1-3, 1-4, 2-31, 2-44, 2-50, 2-69, 3-3, 3-4, 3-8, 3-15	3960461	2-96
3450304	4-23	3570283	2-69	3841255	2-43	3960462	2-100
3450404	2-103	3570288	2-72	3841287	1-3, 3-3, 3-8	3960464	2-100
3480176	5-3	3570488	2-13	3841340	2-3, 2-32, 2-46, 2-50, 2-69, 3-4, 3-8, 3-9, 3-12	3960468	2-33, 2-46, 2-52, 2-71
3480188	5-15, 5-17	3570686	1-21	3841351	2-70	3960469	2-33, 2-46, 2-52, 2-71
3480210	5-7	3570690	1-21	3841356	3-3, 3-8	3960470	2-99
3480211	5-25	3570775	5-23	3841406	3-16	3971820	2-13
3480232	5-13	3570928	3-25	3850018	5-17	3990001	7-8, 7-10, 7-14
3480233	5-17	3570979	2-3	3900139	5-13	3990010	7-8, 7-10, 7-11, 7-15, 7-24, 7-31, 7-35, 9-1
3480234	5-23	3571498	2-49	3900141	5-7	4060092	7-15, 7-24, 7-34
3480236	5-11	3572414	2-51	3900207	4-3	4060700	7-15, 7-24, 7-34
3480237	5-5	3572423	2-79	3900210	2-100	4060802	2-41, 2-67, 4-19, 4-24
3480238	5-9	3572604	5-25	3900217	2-70	4060803	4-4
3510488	4-3	3572605	5-25	3900224	4-13, 4-18, 4-23	4060804	2-33, 2-46, 2-52, 2-71
3510497	4-3	3572606	3-25	3900232	2-99, 3-17	4060805	2-33, 2-71, 3-16, 3-25
3510542	4-3	3572607	3-26	3900239	3-4, 3-8	4060806	2-46, 2-52
3510543	4-3	3580134	2-40, 2-66			4060906	2-86, 2-91
3510545	4-3	3580158	2-39			4060907	2-95
3510546	4-3	3580250	2-65			4060959	10-2
3510565	4-3	3580276	2-40, 2-66			4070410	2-100
3510566	4-3	3600277	2-31, 2-43, 2-75				
3510728	4-3	3600278	2-31, 2-43, 2-49, 2-69				
3510760	4-3	3600287	2-4				
3510822	4-7	3600295	2-31, 2-43, 2-49, 2-69, 2-75				
3510833	4-7						
3520028	2-41, 2-66, 4-11, 4-17, 4-21						
3520033	2-99						

SECTION 11 PART NUMBER INDEX

Part Number	Page	Part Number	Page	Part Number	Page	Part Number	Page
4070411	2-100	4360314	2-86, 4-11, 4-13		34, 7-35	4460471	2-91, 4-12, 4-17, 4-22, 7-8, 7-20, 7-28, 7-30
4070412	2-100	4360315	2-85	4460234	2-87, 2-95, 2-96		
4070863	3-15	4360322	3-25, 3-26	4460265	4-27, 7-8, 7-10, 7-11	4460473	7-9, 7-20, 7-21, 7-29, 7-30
4070864	3-15	4360328	2-91, 4-17, 4-19, 4-22, 4-24	4460266	4-27, 7-10, 7-11, 7-13		
4070878	1-3			4460267	4-27, 7-8, 7-10, 7-11, 7-15, 7-22, 7-24, 7-31, 7-34	4460475	2-71, 7-14
4070879	1-3	4360331	4-8, 4-11, 4-13, 4-17, 4-19, 4-22, 4-24, 9-1			4460476	2-71, 7-12, 7-14
4070897	3-11, 3-15			4460268	2-95, 4-27, 7-10, 7-11, 7-12, 7-13, 7-14, 7-15, 7-22, 7-24, 7-31, 7-34	4460488	2-91, 4-12, 4-22
4070898	3-11, 3-15	4360336	2-41, 2-57, 2-61, 2-67, 2-96, 4-13, 4-18, 4-19, 4-23, 4-24, 9-1, 9-2			4460499	2-11, 7-11, 7-14, 7-15, 7-24, 7-34
4070929	3-11			4460320	7-11, 7-15, 7-22, 7-24, 7-31, 7-34	4460502	7-9
4070944	1-3	4360387	2-87, 4-11, 4-17, 4-19, 4-22, 4-23, 4-40, 9-1, 9-2	4460326	7-15, 7-22, 7-31, 7-34	4460503	4-14, 7-8, 7-9
4070945	1-3			4460326	7-15, 7-22, 7-31, 7-34	4460508	7-8, 7-9, 7-20, 7-21, 7-28, 7-29, 7-30
4070967	3-11	4360392	2-31, 2-44, 2-50, 2-69	4460346	7-15, 7-24, 7-34	4460509	7-9, 7-20, 7-21, 7-29, 7-30
4070968	3-11			4460374	7-11	4460510	4-11, 7-16, 7-25, 7-36, 10-3
4070969	3-16	4360405	2-43	4460375	7-12	4460526	2-86, 2-92, 7-14, 7-30
4070987	2-87, 2-91	4360407	4-11, 4-17, 9-1	4460418	7-8, 7-10, 7-20, 7-22, 7-28, 7-31	4460536	7-10, 7-24, 7-34
4071009	2-17	4360417	2-4	4460419	7-8, 7-10, 7-20, 7-22, 7-28, 7-31	4460539	7-9, 7-23, 7-33, 7-34
4071052	3-17	4360436	2-79	4460424	2-95, 7-11, 7-15, 7-22, 7-24, 7-31, 7-32, 7-34	4460579	7-12, 7-32
4100025	2-44	4360455	2-44	4460425	4-40, 7-16, 7-25, 7-35	4460580	7-12, 7-32
4100051	6-10	4360469	2-85, 2-91, 9-1	4460426	2-86, 2-91, 7-30	4460582	7-12, 7-32
4100058	6-6, 6-10	4360475	2-85, 2-91, 4-11, 4-17, 4-22, 9-1	4460428	2-86, 2-91, 3-25, 3-26, 4-12, 4-17, 4-22, 7-8, 7-20, 7-28	4460588	7-12, 7-32
4100059	6-6, 6-10	4360476	2-86, 2-91, 4-11, 4-17, 4-22, 9-1	4460434	7-28, 7-31	4460589	7-12
4100062	6-15, 6-18	4360498	3-26	4460442	7-16	4460590	7-12
4120012	2-87, 7-3	4360499	3-26	4460445	7-11, 7-14, 7-22, 7-24, 7-31, 7-34	4460591	7-12, 7-13
4120013	4-14	4360542	2-40, 2-66	4460449	7-11, 7-12	4460598	4-4, 4-8, 4-19, 4-24, 7-16, 7-25, 7-35
4120035	4-14, 7-8, 7-10, 7-20, 7-22, 7-23, 7-28, 7-31, 7-33	4360549	3-25, 3-26	4460457	2-71, 7-12, 7-14, 7-22, 7-32	4460600	2-86, 4-14, 7-3
4130357	1-4	4360578	3-25, 3-26	4460458	2-71, 7-12, 7-14, 7-22, 7-32	4460601	2-86, 4-14
4130358	1-4	4400275	2-57, 2-61	4460459	2-71, 7-12, 7-14	4460602	2-86, 4-14
4160139	2-99	4400400	2-79	4460460	7-12, 7-22, 7-32	4460603	2-86, 4-14
4160143	2-99	4400410	2-79	4460464	4-18, 7-8, 7-9, 7-10, 7-14, 7-20, 7-21, 7-22, 7-23, 7-28, 7-29, 7-30, 7-31, 7-33	4460607	2-86, 4-14
4220162	2-95, 2-96	4400420	2-57, 2-61	4460465	7-9, 7-12, 7-14, 7-20, 7-21, 7-23, 7-29, 7-30, 7-33	4460608	7-12, 7-13
4220165	4-4	4420038	2-79, 2-86	4460466	7-9, 7-14, 7-20, 7-21, 7-29, 7-30	4460611	2-33, 2-45, 2-51, 2-71
4240032	2-95, 2-96	4420060	2-4, 3-26	4460467	4-11, 7-16, 7-25, 7-36, 10-3	4460613	4-14, 7-8, 7-9
4240033	2-45	4460023	2-41, 2-66	4460470	2-91, 4-12, 4-17, 4-22, 7-8, 7-20, 7-28, 7-30	4460614	7-9
4240099	2-45, 4-4, 4-8	4460042	4-22			4460628	2-86
4240112	2-79	4460049	4-39			4460629	4-14
4240113	2-79	4460051	7-35			4460630	2-86
4280295	2-79	4460071	4-5, 4-7, 4-12, 4-17, 4-22, 7-20, 7-24, 7-28, 7-35			4460631	2-86, 4-14
4300056	2-43	4460125	7-15, 7-24, 7-34			4460632	4-14
4300097	1-9	4460134	7-15, 7-16, 7-24, 7-25, 7-35			4460634	7-10, 7-28, 7-31
4300130	1-9	4460190	2-40, 2-66			4460635	7-10, 7-28, 7-31
4300148	2-70	4460205	7-15, 7-24, 7-25, 7-34, 7-35			4460693	7-13
4340678	4-11, 4-17, 4-21	4460224	7-13			4460701	7-15, 7-16, 7-24, 7-25, 7-35
4340684	4-11, 4-17, 4-22	4460225	7-8, 7-11, 7-20, 7-28			4460708	4-22, 7-28, 7-30
4340706	3-11	4460226	4-22, 7-22, 7-28, 7-30, 7-31, 7-32			4460711	2-87
4360031	4-7	4460227	4-18, 4-22, 7-14, 7-20, 7-23, 7-28, 7-31, 7-33			4460713	7-12, 7-32
4360037	2-43	4460233	7-15, 7-24, 7-25, 7-34			4460720	7-8
4360057	4-39					4460721	7-8
4360065	2-43					4460725	7-12, 7-32
4360157	2-44					4460726	7-12, 7-32
4360188	2-57, 2-61						
4360232	4-12, 4-19, 4-24, 7-25, 7-35, 9-1						
4360282	2-86, 4-11						
4360289	2-85, 4-11						
4360294	2-33, 2-41, 2-45, 2-51, 2-67, 2-71, 9-1						

SECTION 11 PART NUMBER INDEX

Part Number	Page	Part Number	Page	Part Number	Page	Part Number	Page
4460728	7-12, 7-32	4461076	7-14	4641136	3-25		11, 4-18, 4-22, 4-40
4460742	7-12, 7-32	4461077	7-14, 7-21, 7-30	4641162	5-3	4751800	1-4, 2-33, 2-44, 2-50, 2-70, 2-83, 4-39
4460761	4-18, 4-22, 7-14, 7-23, 7-28, 7-31, 7-33	4520204	1-11	4700005	2-57	4751900	2-40
4460777	7-12	4520205	1-11	4711000	4-12	4752000	2-33, 2-45, 2-52, 2-71
4460783	7-12	4520252	1-11	4711400	1-3, 2-3, 2-4, 2-33, 2-46, 2-52, 2-71, 2-87, 2-92, 3-26, 4-4, 4-8, 4-40	4760600	2-86
4460784	7-12	4520253	1-11	4711500	2-3, 2-5, 2-47, 2-54, 2-71, 2-72, 2-79, 2-95, 4-23	4761000	2-87, 2-100, 4-4, 4-12, 4-19, 4-24
4460789	7-12	4562516	2-46	4711600	1-3, 2-3, 2-33, 2-71, 2-100, 3-4, 3-9, 3-11, 3-12, 3-15, 3-16, 5-25	4761400	2-92
4460790	7-12	4564281	2-43, 2-52	4711800	2-103, 3-4, 3-9	4761500	2-49, 4-39
4460799	7-12, 7-32	4564417	2-66	4711900	2-34	4761600	3-27
4460800	7-12, 7-32	4566468	5-15, 5-18	4740004	2-13	4770600	2-103
4460836	7-12	4566471	5-7	4740057	2-17	4791400	2-33, 2-57
4460837	7-12	4566605	2-43, 2-49	4740076	2-99	4791600	2-45
4460850	7-12	4567071	2-45	4740111	1-4	4812000	2-66
4460856	7-12	4567073	2-47, 2-54, 2-72	4740171	2-103	4821397	4-40
4460857	7-12	4567112	2-31	4740199	2-99	4831900	2-36, 2-46, 2-52
4460865	7-20, 7-21, 7-29, 7-30	4567139	6-13, 6-17	4740256	1-4	4832000	2-36, 2-45, 2-51
4460866	7-20, 7-21, 7-22, 7-28, 7-29, 7-30, 7-31	4567169	2-46	4740274	2-33, 2-46, 2-51, 2-70	4844790	3-9
4460871	4-18, 4-22, 4-29, 4-30, 4-35, 4-36, 7-20, 7-21, 7-22, 7-23, 7-28, 7-31, 7-32, 7-33, 7-35	4567413	5-25	4740362	2-96, 4-5, 4-8, 4-12, 4-17, 4-22	4844816	3-7
4460873	7-20, 7-22, 7-28, 7-31	4567434	5-18	4740397	2-41, 2-67, 4-19, 4-24	4844817	3-7
4460874	2-92, 7-20, 7-28, 7-31	4567730	2-46	4740439	3-8	4844924	4-3
4460875	2-92, 7-20, 7-28, 7-31	4567757	6-14, 6-18	4740442	2-70	4844925	4-3
4460876	7-22, 7-31	4567815	2-33	4740444	2-86, 2-92	4844954	4-3
4460878	7-22, 7-31	4567879	2-51	4740463	1-4	4844955	4-3
4460879	7-20, 7-28	4568118	2-79	4740472	1-3	4844956	4-3
4460880	7-22, 7-31, 7-32	4568119	2-79	4740473	1-4	4844958	2-17
4460887	7-20, 7-22, 7-28, 7-31	4568158	2-52	4750600	2-86	4845035	2-44, 2-69
4460889	7-22, 7-32	4568514	1-4	4750800	2-58, 2-62	4845308	4-39
4460890	7-22, 7-32	4620119	2-13, 2-17	4751000	2-32, 2-41, 2-44, 2-45, 2-49, 2-67, 2-70, 2-86, 2-96, 2-100, 4-4, 4-7, 4-12, 4-13, 4-14, 4-40	4845309	4-39
4460891	7-14, 7-21, 7-29	4640113	1-11			4845327	4-3
4460892	7-14, 7-23, 7-33	4640509	5-5, 5-7, 5-9, 5-11			4845328	4-3
4460894	7-14, 7-23, 7-33	4640525	5-3			4845394	2-33
4460897	7-14, 7-21, 7-29	4640605	5-5, 5-11, 5-18			4845395	2-32
4460905	2-92, 4-22, 7-28, 7-31	4640751	2-31			4845404	2-31, 2-44, 2-50, 2-69
4460908	7-14, 7-23, 7-33	4640778	6-9			4845408	4-3
4460909	7-14, 7-23, 7-33	4640780	6-14, 6-18			4845409	4-3
4460915	7-14, 7-23, 7-33	4640858	5-3			4845410	4-3
4460917	7-14	4640866	2-3			4845411	2-99
4460918	7-14	4640871	1-3			4845412	4-3
4460928	7-14, 7-23, 7-33	4640906	2-3			4845413	4-3
4460944	7-23, 7-33, 7-34	4640921	2-4, 2-11			4845426	4-3
4460945	7-24, 7-34	4640922	2-4, 2-11			4845469	4-3
4460959	7-34	4640929	3-26			4845531	2-40
4460960	7-35	4640932	5-18			4845532	2-69
4460965	7-23, 7-33	4640989	2-43, 2-49			4845534	2-69
4460968	3-25, 3-26	4641019	2-69			4845593	3-3, 3-7
		4641022	2-79			4845617	2-79
		4641027	5-9			4845658	1-3, 1-4
		4641032	5-25			4845680	3-11
		4641033	5-23			4845701	3-16
		4641034	2-3, 2-7			4845702	3-16
		4641041	1-21			4845703	3-4
		4641042	1-21			4845716	3-7
		4641045	3-25				
		4641061	2-3				
		4641062	5-7, 5-9				
		4641076	6-5				
		4641093	2-3, 2-7				
		4641099	2-3, 2-7				
		4641105	3-25				

SECTION 11 PART NUMBER INDEX

Part Number	Page	Part Number	Page	Part Number	Page	Part Number	Page
4845729	3-16	4922215	7-10, 7-21, 7-29	4933162	7-24	7000253	2-19, 2-26
4845730	3-16	4922216	7-10, 7-29	4933175	7-2	70002530	2-34, 2-36
4845872	4-40	4922217	7-10, 7-21, 7-29	4933189	7-2	70002546	7-14
4845928	2-79	4922235	7-11	4933195	7-3, 7-21	7000255	2-19, 2-26
4846011	2-50	4922272	2-85, 7-11	4933199	7-2	7000256	2-19, 2-26
4846101	4-3	4922311	7-10	4933215	7-2, 7-35	70002567	2-53
4846102	4-3	4922318	7-10	4933216	7-2, 7-35	7000257	2-19, 2-26
4846103	4-3	4922463	7-10	4933218	7-3	7000258	2-19, 2-26
4846253	4-3	4922472	7-10	4933231	7-2	7000263	2-19, 2-26
4846254	4-3	4922473	7-10	4933232	7-3, 7-30, 7-31	7000265	1-5, 1-15
4846255	4-3	4922482	7-24, 7-35	4933233	7-3, 7-30, 7-31	7000269	2-19, 2-26
4846257	2-99	4922483	7-24	4933307	7-2	7000270	2-19, 2-26
4846430	2-17	4922484	7-2, 7-25	7000017	10-4	7000272	1-15
4846452	4-7	4922485	2-92, 4-18	70000123	2-39, 2-65	70002724	4-35
4846479	2-31	4922498	7-35	70000124	2-40, 2-66	70002725	4-35
4846566	2-31	4922509	4-18, 7-3, 7-20	70000125	2-40, 2-66	70002726	4-35
4846573	3-4, 3-9	4922516	7-22	70000126	2-40, 2-66	70002727	4-36
4860148	1-11	4922542	7-2	70000163	2-46	70002728	4-36
4860188	1-11	4922549	7-22, 7-31, 7-32	70000342	3-20, 3-23	70002729	4-36
4860224	1-11	4922550	7-31, 7-32	70000579	2-8	7000273	1-15
4860225	1-11	4922557	7-22, 7-31	70000580	2-8	70002730	4-29
4891500	2-3	4922565	7-2	70000582	2-8	70002731	4-29
4891600	2-70, 2-103, 3-4, 3-9	4922575	7-20, 7-29	70000583	2-8	70002732	4-29
4891800	1-9, 1-10, 2-13, 2-32, 2-43, 2-49, 2-103, 3-5, 3-9	4922576	7-20, 7-29	70000646	2-46	70002733	4-30
4892000	1-10, 2-13, 2-17	4922577	7-21, 7-29	70001002	2-34, 2-35	70002734	4-30
4892600	3-5, 3-9	4922578	7-21, 7-30	70001017	2-34	70002735	4-30
4920018	4-4	4922579	7-21, 7-29	70001059	2-4	7000274	1-15
4920044	4-4	4922580	7-21, 7-29	70001067	2-5	7000275	1-15
4921801	7-15, 7-24, 7-35	4922581	7-21, 7-29	70001068	2-5	7000281	2-26
4921829	7-15, 7-25, 7-35	4922582	7-29	70001069	2-5	70002813	2-34
4921850	10-4	4922636	7-30	70001423	2-36	7000282	1-15
4921927	2-4, 7-15, 7-34	4922637	7-30	70001498	2-35	7000283	1-15
4921928	2-4, 7-14, 7-24, 7-34	4922638	7-31	70001681	2-34, 2-36	7000284	1-15
4921938	7-15	4922639	4-22, 7-3, 7-28	70001697	3-20, 3-23	7000287	1-16
4921955	7-15, 7-25, 7-35	4922641	7-35	70001941	2-95	7000288	1-16
4922006	7-10	4922643	7-2, 7-35	70001976	2-8, 2-9, 2-11	7000289	1-16
4922008	7-10	4922666	2-92, 4-22, 7-28, 7-31	70002013	3-16, 9-2	7000290	1-16
4922012	10-4	4922675	7-31	70002014	3-16	70002906	4-30
4922046	2-86, 7-11	4922737	2-34	7000209	2-19, 2-26	70003476	2-34
4922077	2-85, 7-11	4922773	7-29	7000213	1-15	70003483	4-7
4922095	7-2	4922774	7-29	7000214	2-19, 2-26	70003556	2-35
4922099	7-23, 7-33, 7-34	4922775	7-29	7000217	2-19, 2-26	70003983	2-5
4922130	7-9	4922775	7-29	7000220	1-15	70003989	2-5
4922131	7-9	4923613	7-21, 7-30	70002234	2-35	70003990	2-5
4922138	2-85, 7-11	4932915	7-2, 7-15	70002235	2-39, 2-66	70003992	2-5
4922145	7-10	4932917	7-2	7000224	1-15	70003993	2-5
4922146	7-10	4932980	7-3	7000228	2-19, 2-26	7000625	4-7
4922155	4-12, 4-14, 7-3, 7-8	4932981	7-3, 7-10	7000229	2-19, 2-26	7000645	2-8
4922169	7-9	4932982	7-3, 7-10	7000230	2-19, 2-26	7000663	2-34, 2-35
4922170	7-9	4932983	7-3, 7-10	70002307	2-47, 2-53	7000699	2-34
4922171	7-9	4932986	7-2	7000231	1-15	7000722	1-13, 2-21
4922172	7-9	4932989	7-2, 7-15	7000235	1-15	7000723	1-13, 2-21
4922173	7-9	4933025	7-2	7000236	1-15	7000724	1-13, 2-21
4922174	7-10	4933026	7-2	7000238	1-15	7000725	1-13, 2-21
4922175	7-10	4933027	7-3	7000239	1-15	7000728	1-13, 2-21
4922180	7-9	4933058	7-3, 7-10	7000240	1-15	7000731	1-13, 2-21, 2-27
4922181	7-9	4933149	7-2, 7-15	7000241	2-34, 2-36	7000782	1-13, 2-21
		4933150	7-2, 7-15	7000246	2-19, 2-26	7000796	1-13, 2-21
		4933158	7-24	7000248	2-26	7000798	1-13, 2-21

SECTION 11 PART NUMBER INDEX

Part Number	Page	Part Number	Page	Part Number	Page	Part Number	Page
7000884	2-47	7003980	4-33, 4-36	7008836	2-32, 7-13	7012773	2-7, 2-8, 2-9, 2-11
7000897	2-46, 2-52	7003982	4-36	7009996	2-23	7012774	2-9, 2-11
7001498	2-77	7003983	4-33, 4-36	7009998	2-23	7012775	2-7
7001901	1-15	7003986	4-35	7010116	2-75, 2-77	7012776	2-11
7001902	1-15	7003989	4-33, 4-36	7010122	2-77	7012777	2-11
7001903	1-15	7003992	4-27, 4-29, 4-33, 4-35	7010404	1-5	7012901	2-8
7001906	1-15	7003993	4-27, 4-29, 4-33, 4-35	7010405	1-5	7012905	2-3
7001909	2-19, 2-26	7003994	4-35	7010406	1-5	7012914	2-7
7001911	2-19, 2-26	7004042	2-27	7010461	2-26	7012918	2-7
7001912	2-26	7004043	2-27	7010474	2-19, 2-26	7012941	2-9
7001928	1-15, 2-19, 2-26	7004044	2-27	7010488	2-19	7012943	2-3, 2-8, 9-1
7001931	2-19, 2-26	7004046	2-27	7010492	2-19, 2-26	7012944	2-3, 2-9, 9-1
7001985	2-19, 2-26	7004275	10-3	7010494	2-19	7012953	2-9, 2-11, 3-26
7001987	2-19	7004276	10-3	7010542	2-7	7012959	2-3
7001988	2-19	7006137	3-16, 9-2	7010543	2-7, 2-9	7012965	2-11
7002111	2-23	7007208	2-76	7010795	2-27	7012970	3-26
7002117	2-23	7007412	2-77	7011112	5-18	7012972	2-3
7002123	2-23	7007413	2-75	7011331	3-20	7012989	2-9
7002821	7-16, 7-25, 7-36, 10-3	7007414	2-75	7011332	3-20	7012998	2-7, 2-9, 2-11
7002822	10-3	7007417	2-75	7011333	3-25	7013187	2-83
7002823	7-16, 7-25, 7-36, 10-3	7007419	2-75	7011342	3-25	7014501	2-47, 2-53
7002826	10-3	7007423	2-75	7011346	3-20	7014801	2-79
7002828	7-16, 7-25, 7-36	7007425	2-75	7011868	2-47	7014802	2-79
7002840	1-3, 10-3	7007426	2-75	7011869	2-47	7014810	2-79
7003049	1-13, 2-21	7007435	2-75	7012513	2-39, 2-65	7014813	2-79
7003050	1-13, 2-21	7007437	2-75	7012514	2-39, 2-65	7014816	2-79
7003094	1-13, 2-21	7007438	2-75	7012518	2-3	7014817	2-79, 9-1
7003451	1-13, 2-21	7007439	2-75	7012558	2-39, 2-65	7014818	2-79
7003452	1-13, 2-21	7007441	2-75	7012560	2-85	7016180	2-69
7003453	1-13, 2-21	7007442	2-75	7012595	2-53	7016314	2-80
7003454	1-13, 2-21	7007446	2-75	7012599	2-34	7016322	2-103
7003455	1-13, 2-21	7007448	2-75	7012611	2-85, 4-11	7016328	2-34, 2-35, 9-1
7003456	1-13, 2-21	7007452	2-76	7012612	2-85, 4-11	7016329	2-34
7003457	1-13, 2-21	7007453	2-77	7012664	2-31, 2-45, 2-51, 2-69, 9-1	7016330	2-34
7003458	2-21	7007454	2-76	7012679	2-46	7016331	2-34, 2-35, 9-1
7003459	1-13, 2-21	7007457	2-76	7012693	1-3	7016332	2-34, 2-35
7003460	1-13, 2-21	7007463	2-76	7012700	1-19	7016336	7-13
7003461	1-13, 2-21	7007464	2-76	7012701	1-19	7016342	2-83
7003462	1-13, 2-21	7007465	2-76	7012702	1-19	7016359	2-34
7003463	1-13, 2-21	7007466	2-76	7012703	1-19	7016374	2-103
7003657	2-39, 2-66	7007470	2-75	7012704	1-19	7016380	2-95
7003928	4-27, 4-29	7007472	2-77	7012705	1-19	7016399	4-4, 4-8
7003933	4-35	7007474	2-77	7012706	1-19	7016522	3-16, 9-2
7003935	4-33, 4-35	7007475	2-77	7012707	1-19	7016523	3-16
7003941	4-33, 4-35	7007477	2-77	7012708	1-19	7016524	3-16
7003946	4-33, 4-35	7007478	2-77	7012709	1-19	7016529	3-16
7003952	4-27	7007483	2-76	7012710	1-19	7016600	2-47
7003953	4-27, 4-29	7007484	2-76	7012711	1-19	7016601	2-47
7003954	4-27	7007485	2-76	7012712	1-19	7016605	2-46
7003955	4-27	7007487	2-76	7012713	1-19	7016639	2-34
7003956	4-27	7007488	2-76	7012714	1-19	7016640	2-34
7003969	4-33, 4-35	7007494	2-76	7012715	1-19	7016641	2-34
7003972	4-33, 4-36	7007496	2-77	7012716	1-19	7016652	10-3
7003973	4-33, 4-36	7007497	2-77, 7-23, 7-32	7012716	1-19	7016654	10-3
7003974	4-27	7007498	2-77, 7-23, 7-32	7012766	2-8	7016655	10-3
7003976	4-27, 4-29	7007633	2-19, 2-26	7012768	2-8	7016662	2-47, 2-53
7003977	4-27, 4-29	7007990	1-13	7012769	2-8	7016779	2-4
		7008833	2-32, 7-13	7012770	2-8, 2-9, 2-11	7016780	2-4
		7008835	2-32	7012772	2-8, 2-9, 2-11, 9-1	7016781	2-4

SECTION 11 PART NUMBER INDEX

Part Number	Page	Part Number	Page	Part Number	Page	Part Number	Page
7016782	2-4	7017157	3-20	7019141	4-27, 4-29	7019997	2-46
7016783	2-4	7017158	3-20, 3-23	7019142	4-27, 4-29	7020020	2-3
7016784	2-4	7017159	3-20, 3-23	7019143	4-27, 4-29	7020021	2-3
7016785	2-4	7017162	3-19, 3-23	7019144	4-27, 4-29	7020025	2-34
7016800	2-33, 2-45, 2-51, 2-70	7017163	3-19, 3-23	7019145	4-27, 4-29	7020027	2-35, 2-36
7016802	2-33, 2-71	7017164	3-19, 3-23	7019146	4-27	7020064	3-11
7016803	2-33	7017174	3-19	7019147	4-27, 4-29	7020065	3-11
7016807	2-45, 2-51	7017177	3-19	7019149	4-27, 4-29	7020066	3-11
7016808	2-45, 2-51	7017183	3-20, 3-23	7019150	4-27, 4-29	7020067	3-11
7016809	2-33	7017193	3-20, 3-23	7019151	4-33, 4-35	7020068	3-25
7016811	2-70	7017210	5-21	7019153	4-33	7020069	3-25
7016824	2-33, 2-45, 2-51, 2-71	7017211	5-21	7019154	4-33, 4-35	7020070	3-25
7016825	2-33, 2-45, 2-51, 2-71	7017213	5-21	7019155	4-33, 4-35	7020071	3-25
7016831	2-70	7017214	5-21	7019156	4-33	7020108	2-39, 2-65
7017023	2-26	7017215	5-21	7019157	4-33	7020109	2-39, 2-65
7017027	1-15	7017234	5-21	7019158	4-33	7020110	2-39, 2-65
7017031	1-15	7017236	5-21	7019159	4-33	7020111	2-39, 2-65
7017033	1-15	7017414	2-8	7019160	4-33, 4-35	7020120	2-47, 2-53
7017034	1-15	7017420	2-7, 2-11	7019161	4-33, 4-35	7020168	2-35
7017035	1-15	7017421	2-11	7019162	4-33, 4-35	7020171	3-25
7017036	1-15	7017422	2-11	7019163	4-33	7020172	3-25
7017037	1-15	7017423	2-7	7019164	4-33, 4-36	7020173	3-25
7017038	1-16	7017427	2-7	7019165	4-33, 4-36	7020175	2-85, 2-91, 4-11, 4-17, 4-22
7017039	1-15	7017428	2-7, 2-9	7019166	4-33, 4-36	7020176	2-85, 2-91, 4-11, 4-17, 4-22
7017040	1-15	7017466	2-3	7019167	4-33, 4-36	7020190	2-39, 2-65
7017041	1-16	7017474	2-7	7019168	4-33, 4-35	7020191	2-40, 2-66
7017042	1-15	7017475	2-8	7019171	4-29	7020192	2-40, 2-66
7017043	1-16	7017476	2-8	7019174	4-29	7020193	2-39, 2-65
7017044	1-15	7017477	2-8, 2-9	7019177	4-29	7020246	2-85, 2-91
7017045	1-16	7017478	2-9	7019194	4-33, 4-36	7020335	2-23
7017046	1-16	7017479	2-3	7019196	4-36	7020336	2-23
7017047	1-16	7017481	2-3	7019197	4-27, 4-29	7020338	2-23
7017048	1-15	7017515	2-57	7019607	2-34	7020339	2-23
7017050	1-16	7018612	1-13, 2-21	7019656	2-44, 2-50, 2-69	7020340	2-23
7017051	1-5	7018912	2-7, 2-8, 2-9, 2-11	7019658	2-79	7020341	2-23
7017052	1-5	7018941	2-7	7019664	2-34	7020343	2-23
7017053	1-5	7018942	2-9, 2-11	7019923	2-47	7020346	2-23
7017054	1-5	7018945	2-9, 2-11	7019924	2-47	7020353	2-23
7017055	1-5	7018946	2-11	7019925	2-53	7020357	2-23
7017056	1-5	7018947	2-11	7019930	2-47, 2-53	7020358	2-23
7017057	1-5	7018948	2-11	7019931	2-47	7020359	2-23
7017058	1-5	7018951	2-9	7019932	2-47, 2-53	7020360	2-23
7017068	1-16	7018991	2-7, 9-1	7019933	2-46	7020362	2-23
7017070	2-19, 2-26	7018992	2-7	7019961	2-46	7020363	2-23
7017082	2-26	7018993	2-8	7019974	2-46	7020404	2-35
7017085	2-26	7018994	2-8	7019975	2-46	7020408	2-35
7017089	2-19, 2-26	7018995	2-31, 2-43, 2-49, 2-69	7019976	2-47, 2-53	7020410	2-34, 2-35
7017101	3-20	7019103	4-33, 4-35	7019977	2-46, 2-52	7020411	2-35
7017102	3-19	7019110	4-33, 4-35	7019978	2-47	7020414	2-34
7017115	3-19	7019111	4-27, 4-29, 4-33, 4-35	7019979	2-46, 2-53	7020418	2-35
7017116	3-19	7019112	4-33, 4-35	7019980	2-46, 7-13	7020419	2-34
7017117	3-19	7019114	4-35	7019982	2-47	7020425	2-34
7017118	3-20	7019115	4-33, 4-35	7019983	2-47	7020427	2-34
7017119	3-19	7019117	4-33	7019985	2-47	7020431	2-34, 2-36
7017142	3-19, 3-20	7019122	4-27, 4-29	7019986	2-46, 2-52	7020436	2-34
7017156	3-20	7019123	4-27, 4-29	7019988	2-46	7020449	2-36
		7019137	4-27	7019993	2-53	7020458	2-35
				7019994	2-52		
				7019996	2-52		

SECTION 11 PART NUMBER INDEX

Part Number	Page	Part Number	Page	Part Number	Page	Part Number	Page
7020459	2-36	7022148	2-53	7023641	2-71, 9-1	7024706	2-27
7020460	2-36	7022149	2-53	7023642	2-71	7024707	2-26, 2-27
7020461	2-35	7022150	2-47, 2-53	7023644	2-53	7024784	2-26
7020462	2-35	7022151	2-47, 2-53	7023645	2-61	7024828	2-77
7020463	2-34, 2-35	7022152	2-53	7023652	2-52	7024918	2-31, 2-43, 2-49, 2-69
7020464	2-35	7022153	2-47, 2-53	7023653	2-52	7024930	2-31, 2-43, 2-49, 2-69
7020465	2-35, 2-36	7022154	2-53	7023654	2-52	7025122	2-46
7020468	2-36	7022155	2-53	7023655	2-52	7025124	2-53
7020471	2-34, 2-36	7022156	2-47, 2-53	7023656	2-52	7025125	2-47
7020474	2-36	7022157	2-47, 2-53	7023657	2-53, 7-13, 7-33	7025126	2-47
7020477	2-35	7022158	2-53	7023658	2-52	7026199	2-39, 2-65
7020479	2-35	7022159	2-53	7023659	2-61	7026522	2-35
7020480	2-35	7022160	2-53	7023660	2-61	7026607	2-35
7020481	2-36	7022161	2-53	7023661	2-52	7026608	2-35
7020487	2-35	7022162	2-53	7023662	2-52	7026631	2-34, 2-35
7021200	2-75	7022164	2-53	7023663	2-52	7027250	2-35
7021201	2-75	7022165	2-61	7023665	2-61	7027276	2-35
7021202	2-75	7022166	2-61	7023679	2-61, 7-16, 7-33	7027292	2-46
7021203	2-75	7022167	2-61	7023680	2-61	7027402	2-46, 2-53
7021205	2-75	7022168	2-61	7023687	2-46	7027411	2-53
7021206	2-77	7022169	2-61	7023900	1-21	7027887	2-40, 2-66
7021207	2-76	7022170	2-61	7023977	2-76	8180311	2-44, 2-50, 2-69
7021208	2-76	7022171	2-61	7023981	2-3	8320270	2-35
7021209	2-76	7022177	2-71	7024100	2-19, 2-27	8896941	10-3
7021212	2-76	7022178	2-47, 2-53	7024155	1-15	91083218	2-52, 9-1
7021213	2-76	7022180	2-47, 2-53	7024185	2-26		
7021214	2-76	7022396	1-21	7024189	2-27		
7021218	2-76	7022397	1-21	7024190	2-28		
7021219	2-76	7022398	1-21	7024191	2-27		
7021220	2-76	7022399	1-21	7024192	2-27		
7021221	2-76	7022808	4-27, 4-29	7024193	2-27, 2-28		
7021222	2-76	7022810	4-33	7024194	2-27, 2-28		
7021223	2-77	7022812	4-35, 4-36	7024195	2-28		
7021226	2-77	7022813	4-27	7024196	2-28		
7021227	2-77	7022814	4-29	7024197	2-27, 2-28		
7021228	2-77	7022815	4-29, 4-30	7024318	2-35		
7021229	2-77	7022816	4-29	7024321	2-46		
7021230	2-77	7022817	4-29	7024379	2-27		
7021231	2-77	7022818	4-29	7024380	2-27		
7021232	2-77	7022819	4-29, 4-30, 7-23, 7-33	7024396	2-27		
7021310	2-9			7024397	5-25		
7021311	2-9	7022822	4-35	7024398	2-34		
7021601	2-8	7022823	4-35	7024413	2-35		
7021602	2-7	7022824	4-35	7024453	2-27		
7021625	1-21	7022825	4-35, 4-36, 7-23, 7-33	7024454	2-27		
7021656	1-21			7024455	2-27		
7021868	2-53, 9-1	7023023	5-21	7024456	2-27		
7021869	2-53	7023206	2-3	7024457	2-27		
7022127	2-71	7023207	2-3	7024458	2-27		
7022133	2-52	7023340	2-32	7024459	2-27		
7022134	2-52, 7-13, 7-33	7023366	2-99	7024508	5-23		
7022135	2-52	7023603	2-61	7024560	2-34		
7022136	2-52	7023613	2-53	7024565	2-36		
7022137	2-52	7023634	2-71, 9-1	7024579	2-36		
7022139	2-52	7023635	2-71	7024598	2-103		
7022142	2-53	7023637	2-53	7024702	2-27		
7022143	2-47, 2-53	7023638	2-71	7024703	2-26		
7022144	2-53	7023639	2-71	7024704	2-26		
7022147	2-53	7023640	2-71	7024705	2-26		

SECTION 11 PART NUMBER INDEX

Part Number	Page	Part Number	Page	Part Number	Page	Part Number	Page
-------------	------	-------------	------	-------------	------	-------------	------

11-14

800A 800AJ

3120741



3120741



An Oshkosh Corporation Company

Corporate Office
JLG Industries, Inc.
1 JLG Drive
McConnellsburg PA. 17233-9533
USA

☎ (717) 485-5161

📠 (717) 485-6417

JLG Worldwide Locations

JLG Industries (Australia)
P.O. Box 5119
11 Bolwarra Road
Port Macquarie
N.S.W. 2444
Australia

☎ +61 2 65 811111

📠 +61 2 65 813058

JLG Latino Americana Ltda.
Rua Eng. Carlos Stevenson,
80-Suite 71
13092-310 Campinas-SP
Brazil

☎ +55 19 3295 0407

📠 +55 19 3295 1025

JLG Industries (UK) Ltd
Bentley House
Bentley Avenue
Middleton
Greater Manchester
M24 2GP - England

☎ +44 (0)161 654 1000

📠 +44 (0)161 654 1001

JLG France SAS
Z.I. de Baulieu
47400 Fauillet
France

☎ +33 (0)5 53 88 31 70

📠 +33 (0)5 53 88 31 79

JLG Deutschland GmbH
Max-Planck-Str. 21
D - 27721 Ritterhude - Ihlpohl
Germany

☎ +49 (0)421 69 350 20

📠 +49 (0)421 69 350 45

JLG Equipment Services Ltd.
Rm 1107 Landmark North
39 Lung Sum Avenue
Sheung Shui N. T.
Hong Kong

☎ (852) 2639 5783

📠 (852) 2639 5797

JLG Industries (Italia) s.r.l.
Via Po. 22
20010 Pregnana Milanese - MI
Italy

☎ +39 029 359 5210

📠 +39 029 359 5845

Oshkosh-JLG Singapore
Technology Equipment Pte
Ltd
29 Tuas Ave 4,
Jurong Industrial Estate
Singapore, 639379

☎ +65-6591 9030

📠 +65-6591 9031

Plataformas Elevadoras
JLG Iberica, S.L.
Trapadella, 2
P.I. Castellbisbal Sur
08755 Castellbisbal, Barcelona
Spain

☎ +34 93 772 4700

📠 +34 93 771 1762

JLG Sverige AB
Enkopingsvagen 150
Box 704
SE - 176 27 Jarfalla
Sweden

☎ +46 (0)850 659 500

📠 +46 (0)850 659 534